



Conforms to:

Standard IEC61032-1997 Figure 16, IEC60529-2001 and UL

Access probes to hazardous hot or glowing parts.

Probes intended to verify the protection of persons against access to hazardous hot or glowing parts.

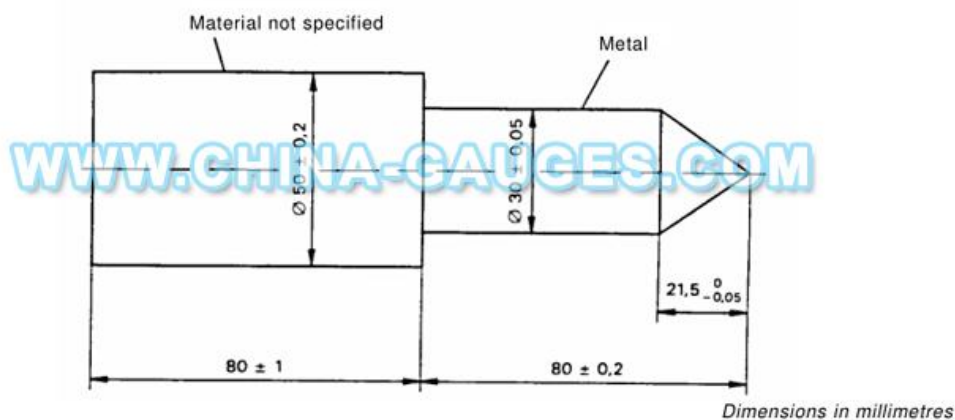
This probe es intended to verify the protection against access to glowing heating elements (Incandescent heating elements).

The **Test Cone** is made in stainless steel.

Technical Parameter:

Handle length	80mm
Handle diameter	50mm
Test probe length	80mm
Test probe diameter	30mm
Test thorn length	21.5mm

a)



This probe is intended to verify the protection against access to glowing heating elements.

Figure 16 – Test probe 41