



This Test Probe Pins (**Figure 9 - Test probe 13 of IEC 61032**) is intended to verify the protection against access to hazardous live parts in class 0 equipment and class II equipment (see IEC60536).

Conforms to:

Standard IEC 61032, IEC 60065, IEC 60335-1, IEC 60950, IEC 60601, IEC 60745 and UL etc.

Technical Parameter:

Test probe diameter:3 mm

Test probe length:15 mm

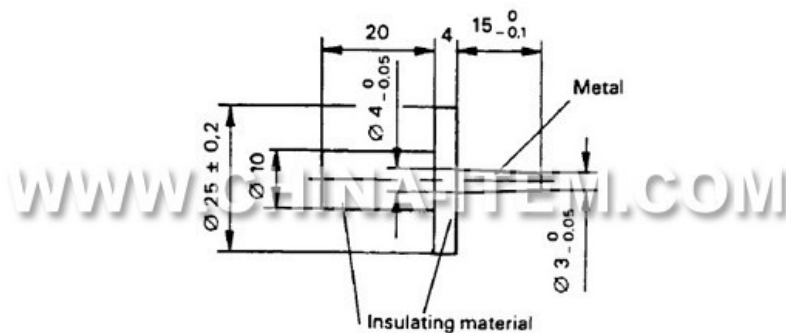
Baffle plate thickness:4 mm

Baffle plate diameter:25 mm

Handle length:20 mm

Handle diameter:10 mm

c)



Dimensions in millimetres

This pin is intended to verify the protection against access to hazardous live parts in class 0 equipment and class II equipment (see IEC 60536).

Figure 9 – Test probe 13