

校准证书

CALIBRATION CERTIFICATE

证书编号:

Certificate No.



J202007179405-01-0001

第 1 页 共 4 页

Page of

委托方

Client

HK LEE HING INDUSTRY CO., LIMITED

联络信息

Contact Inf.

See more at: <http://www.china-gauges.com/>

仪器名称

Description

Jointed Test Probe of IEC 62368-1 Figure V.1

型号/规格

Model/Type

LX-PA100A

制造厂

Manufacturer

HK LEE HING INDUSTRY CO., LIMITED

出厂编号

Serial No.

JLX2020G109520

管理号

Asset No.

接收日期

Receipt Date

2020年11月12日

Y M D

校准日期

Calibration Date

2020年11月19日

Y M D

发布日期

Issued Date

2020年11月19日

Y M D

批准

Approved by

李平 (副总工)

审核

Inspected by

伍水生

校准

Calibrated by

林进祥

证书专用章

(Stamp)

总部地址(Headquarters Add):广东省广州市黄埔大道西平云路163号

No.163.Pingyun Rd, West of HuangPu Ave.Guangzhou.Guangdong .China

承校实验室地址(Add. of the Cal. Lab): 广东省广州市黄埔大道西平云路163号

No.163.Pingyun Rd,West of HuangPu Ave.Guangzhou,Guangdong,China

联系电话(Tel.):020-38699960,66830999,400-602-0999

扫一扫验真伪

传真(Fax):020-38695185

邮政编码(Postcode):510656

网站(Website):[http:// www.grgtest.com](http://www.grgtest.com)电子邮件(E-mail):grgtest@grgtest.com

校准说明

DIRECTIONS OF CALIBRATION

证书编号: J202007179405-01-0001

第 2 页 共 4 页

Certificate No.

Page of

- 1.本实验室的质量管理体系符合ISO/IEC 17025:2017标准的要求。
(The quality system is in accordance with ISO/IEC 17025:2017.)
- 2.本结果仅对本次校准样品有效。未经实验室批准,不得部分复制。如有疑问请在15个工作日内反馈。
(The result is only valid for the calibrated sample.The certificate shall not be reproduced except in full,without the written approval of our laboratroy .please feedback to us within 15 days if you have any question.)
- 3.本证书编号具有唯一性,后缀若带有“-Gx”的证书为替换证书,自发出后原证书即刻作废。
(Each certificate has a unique number. The suffix of "-Gx" will be added to the number as a replacement of the old version. The original certificate will be officially invalid once the new certificate number is issued.)
- 4.证书中如有最大允许误差、判定结果,仅供参考,其中“P”代表“合格”,“F”代表“不合格”。使用人员还应结合实际测量要求,评估校准结果测量不确定度对符合性评定的影响。(MPE & judgement result in the datasheet is only for reference, "P" represents "Pass" and "F" represents "Fail".Whereas users should evaluate the effects of MU of calibration results on conformity determination associated with actual measurement.)
- 5.本次校准的技术依据及CNAS认可范围,超出范围的内容未被认可。详细认可范围请查看CNAS网站中注册编号为L0446的证书附件。(Reference document and accredited scope by CNAS for calibration, beyond which isn't accredited. Please see the attachment of certificate No.L0446 on CNAS website for details.)
GRGJL.WI-CD-09-QBJZ100-2016试验指、棒、销、钩、探针校准方法 (Test finger,rod,pin,hock,probe) 长度: (0~1000) mm 角度: 10°~120° 力值: (0.001~200) N

6. 本次校准使用的主要测量标准(Main Standards of Measurement Used in the Calibration.):

名称 / 型号	编 号	证书号/有效期	溯源机构	技术特征
Description / Model	Serial No.	Certificate No./ Due Date	Traceability Institute	Technique Character
三坐标测量机/Global 05.07.05	72111035	J202003026904- 0001 2021-03-10	广州广电计量检 测股份有限公司	MPE:±(2.3+3.3L/1000)μm
图像处理万能工具显微镜 /JX13C	ZH0020	CYY202000367 2021-04-28	广东省计量科学 研究院	MPE: (1+L/100)μm
数显千分尺/(0~25) mm	45122409	J202001155397- 0009 2021-02-09	广州广电计量检 测股份有限公司	MPE:±2μm

7. 校准地点、环境条件(Place and environmental conditions of the calibration):

地点	广州计量长度精密测量室	温度	20	℃	相对湿度	60	%
Place		Temperature			Relative Humidity		

8. 建议复校时间间隔: 1年,送校单位也可按实际使用情况自主决定。
Suggested calibration interval is 1 year or it can be altered depending on the actual usage of the user.

校 准 结 果
RESULTS OF CALIBRATION

证书编号: J202007179405-01-0001

第 3 页 共 4 页

Certificate No.

Page of

1、外观以及一般性检查: 符合要求

Appearance: Pass

2、参数测量:

Parameter measurement:

标称值(mm) Nominal	实测值(mm) Measured	扩展不确定度(mm) $U(k=2)$	结论(P/F) Conclusion
234	234.02	0.05	P
154	154.16	0.05	P
136	136.19	0.05	P
100	100.21	0.05	P
96	96.08	0.05	P
90	90.04	0.05	P
60	60.05	0.03	P
30	30.02	0.03	P
5.0	4.98	0.02	P
5.8	5.79	0.02	P
15	15.00	0.02	P
19	19.10	0.02	P
21.5	21.52	0.02	P
25.4	25.41	0.03	P
R 3.5	3.53	0.02	P
0.05 (1)	0.03	0.02	P
0.05 (2)	0.02	0.02	P
0.05 (3)	0.03	0.02	P
0.05 (4)	0.03	0.02	P
16	16.07	0.02	P
25.4	25.42	0.03	P
0.05 (5)	0.04	0.02	P
50	50.06	0.03	P
78 (1)	77.99	0.05	P
R25 (1)	25.07	0.03	P
R25 (2)	25.04	0.03	P
78 (2)	78.01	0.05	P
97	97.22	0.05	P

标称值 Nominal	实测值 Measured	扩展不确定度 $U(k=2)$	结论(P/F) Conclusion
30°	30°06'	10'	P

技术指标:

Technical target:

≤15mm: ${}^0_{-0.1}$ mm;

>15mm ≤25mm: ±0.1mm;

>25mm: ±0.3mm;

Angles: ±0.25°

on radii: ±0.1mm

校准结果 RESULTS OF CALIBRATION

证书编号: J202007179405-01-0001

第 4 页 共 4 页

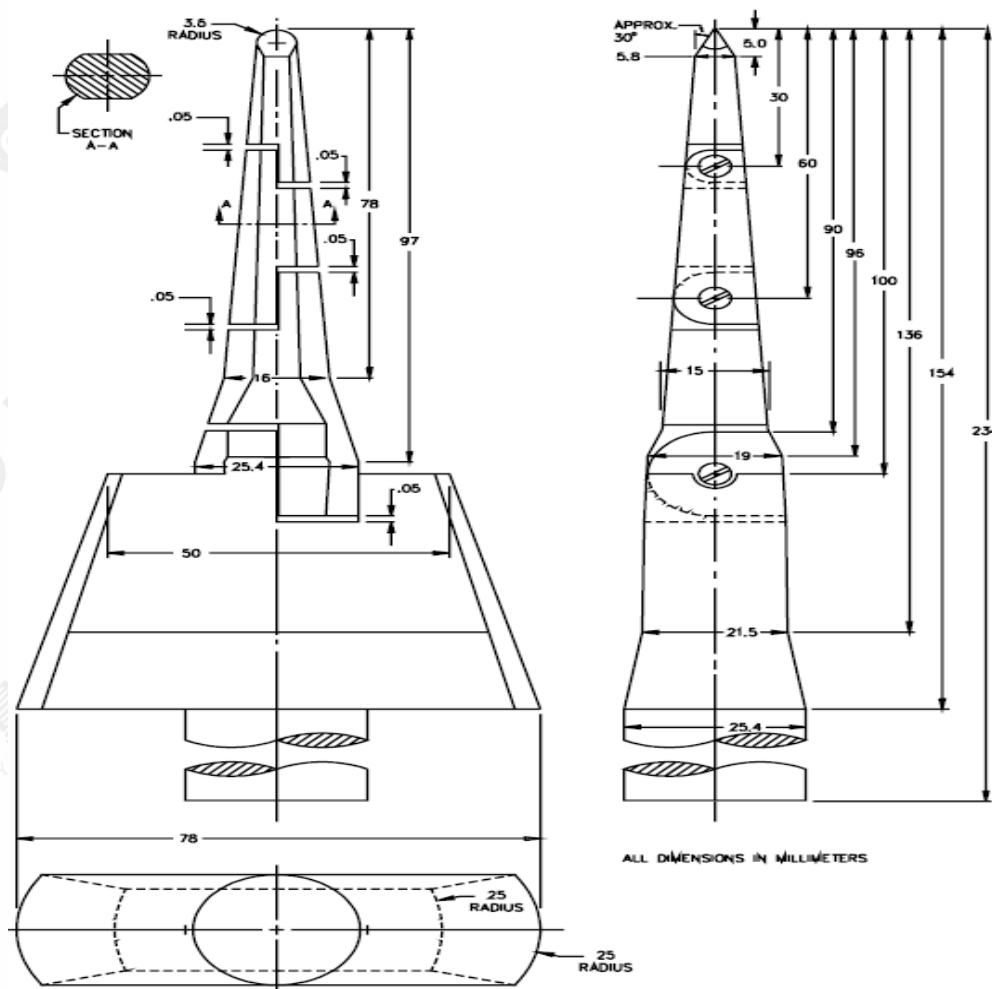
Certificate No.

Page of

注: 0.05(1)~0.05(5)为指尖依次往下0.05mm位置,R25(1)为虚线所指位置,
R25(2)为实线所指位置,78(1)为手指护板宽度,78(2)为手指长度。

Note:0.05(1)~0.05(5) is Position of fingertips down 0.05mm in turn,R25(1) is the position
indicated by the dashed line,R25(2) is the position indicated by the solid line,78(1) is finger
guard width,78(2) is finger length.

见图(The figure)



备注(Notes):

结论 (Conclusion): 所校项目符合技术要求

1.本报告中的扩展不确定度是由标准不确定度乘以包含概率约为95%时的包含因子 k 。

The expanded uncertainty is given in the report by the standard uncertainty multiplied by the probability of about 95% when the factor k .

2.依据(Reference document)

JJF 1059.1-2012 测量不确定度评定与表示

(JJF 1059.1-2012 Evaluation and Expression of Uncertainty in Measurement)

(以下空白)

(The below is blank)