



BSI Standards Publication

<http://www.china-gauges.com/>

Raw rubber or unvulcanized compounds — Determination of green strength

National foreword

This British Standard is the UK implementation of [ISO 9026:2021](#). It supersedes [BS ISO 9026:2007](#), which is withdrawn.

The UK participation in its preparation was entrusted to Technical Committee PRI/22, Testing and analysis of rubber.

A list of organizations represented on this committee can be obtained on request to its committee manager.

Contractual and legal considerations

This publication has been prepared in good faith, however no representation, warranty, assurance or undertaking (express or implied) is or will be made, and no responsibility or liability is or will be accepted by BSI in relation to the adequacy, accuracy, completeness or reasonableness of this publication. All and any such responsibility and liability is expressly disclaimed to the full extent permitted by the law.

This publication is provided as is, and is to be used at the recipient's own risk.

The recipient is advised to consider seeking professional guidance with respect to its use of this publication.

This publication is not intended to constitute a contract. Users are responsible for its correct application.

© The British Standards Institution 2021
Published by BSI Standards Limited 2021

ISBN 978 0 539 16795 5

ICS 83.060; 83.040.10

Compliance with a British Standard cannot confer immunity from legal obligations.

This British Standard was published under the authority of the Standards Policy and Strategy Committee on 31 August 2021.

Amendments/corrigenda issued since publication

Date	Text affected
------	---------------

INTERNATIONAL
STANDARD

ISO
9026

Third edition
2021-07-29

<http://www.china-gauges.com/>

**Raw rubber or unvulcanized
compounds — Determination of
green strength**

*Caoutchouc brut ou mélanges de caoutchoucs non vulcanisés —
Détermination de la cohésion à cru*



Reference number
ISO 9026:2021(E)

<http://www.china-gauges.com/>



COPYRIGHT PROTECTED DOCUMENT

© ISO 2021, Published in Switzerland

All rights reserved. Unless otherwise specified, no part of this publication may be reproduced or utilized otherwise in any form or by any means, electronic or mechanical, including photocopying, or posting on the internet or an intranet, without prior written permission. Permission can be requested from either ISO at the address below or ISO's member body in the country of the requester.

ISO copyright office
Ch. de Blandonnet 8 • CP 401
CH-1214 Vernier, Geneva, Switzerland
Tel. +41 22 749 01 11
Fax +41 22 749 09 47
copyright@iso.org
www.iso.org

Contents

	Page
Foreword.....	iv
Introduction.....	v
1 Scope	1
2 Normative references	1
3 Terms and definitions	1
4 Principle	2
5 Apparatus	2
6 Test piece	5
6.1 Dimensions.....	5
6.2 Preparation.....	5
6.2.1 General.....	5
6.2.2 Preparation of moulded test pieces.....	5
6.2.3 Preparation of test pieces from calendered sheet.....	6
6.3 Number of test pieces.....	6
6.4 Measurement.....	6
7 Conditioning	6
8 Temperature of test	6
9 Procedure	6
10 Expression of results	7
11 Test report	7

Foreword

ISO (the International Organization for Standardization) is a worldwide federation of national standards bodies (ISO member bodies). The work of preparing International Standards is normally carried out through ISO technical committees. Each member body interested in a subject for which a technical committee has been established has the right to be represented on that committee. International organizations, governmental and non-governmental, in liaison with ISO, also take part in the work. ISO collaborates closely with the International Electrotechnical Commission (IEC) on all matters of electrotechnical standardization.

The procedures used to develop this document and those intended for its further maintenance are described in the ISO/IEC Directives, Part 1. In particular, the different approval criteria needed for the different types of ISO documents should be noted. This document was drafted in accordance with the editorial rules of the ISO/IEC Directives, Part 2 (see www.iso.org/directives).

Attention is drawn to the possibility that some of the elements of this document may be the subject of patent rights. ISO shall not be held responsible for identifying any or all such patent rights. Details of any patent rights identified during the development of the document will be in the Introduction and/or on the ISO list of patent declarations received (see www.iso.org/patents).

Any trade name used in this document is information given for the convenience of users and does not constitute an endorsement.

For an explanation of the voluntary nature of standards, the meaning of ISO specific terms and expressions related to conformity assessment, as well as information about ISO's adherence to the World Trade Organization (WTO) principles in the Technical Barriers to Trade (TBT), see www.iso.org/iso/foreword.html.

This document was prepared by Technical Committee ISO/TC 45, *Rubber and rubber products*, Subcommittee SC 2, *Testing and analysis*.

This third edition cancels and replaces the second edition (ISO 9026:2007), of which it constitutes a minor revision. The changes compared to the previous edition are as follows:

- the Normative references in [Clause 2](#) have been updated.

Any feedback or questions on this document should be directed to the user's national standards body. A complete listing of these bodies can be found at www.iso.org/members.html.

Introduction

The stress-strain properties of unvulcanized rubber (either a prepared mix or in the raw state) are important to certain processing operations in the rubber industry. These unvulcanized-rubber properties are frequently referred to as “green strength”, denoting that the final vulcanization cycle has not yet been achieved. The word “green” is thus a synonym for uncured or unvulcanized.

Green strength is determined primarily by the physical and chemical characteristics of polymers, such as molecular mass, tendency to crystallize, degree of branching, etc. It is also related to the compound formulation, particularly filler and plasticizer content and the presence of peptizers. It is a particularly important characteristic for all processing operations in which elongation predominates, for example elongation caused by the expansion of the green wire during the building operation.

Green strength is dependent on the test piece preparation (thermal, mechanical), rate of extension and test temperature. Therefore, a single-point method cannot be expected to give correlation between green strength and processing behaviour over the whole range of processing conditions.

<http://www.china-gauges.com/>

Raw rubber or unvulcanized compounds — Determination of green strength

WARNING 1 — Persons using this document should be familiar with normal laboratory practice. This document does not purport to address all of the safety problems, if any, associated with its use. It is the responsibility of the user to establish appropriate safety and health practices and to determine the applicability of any other restrictions.

WARNING 2 — Certain procedures specified in this document might involve the use or generation of substances, or the generation of waste that could constitute a local environmental hazard. Reference should be made to appropriate documentation on safe handling and disposal after use.

1 Scope

This document specifies a method for the determination of the green strength of raw rubber or unvulcanized rubber compounds using a tensile stress-strain test, the test pieces being prepared following standard test conditions or cut from calendered sheets.

2 Normative references

The following documents are referred to in the text in such a way that some or all of their content constitutes requirements of this document. For dated references, only the edition cited applies. For undated references, the latest edition of the referenced document (including any amendments) applies.

[ISO 37](#), *Rubber, vulcanized or thermoplastic — Determination of tensile stress-strain properties*

[ISO 1795](#), *Rubber, raw natural and raw synthetic — Sampling and further preparative procedures*

[ISO 2393](#), *Rubber test mixes — Preparation, mixing and vulcanization — Equipment and procedures*

[ISO 5893:2019](#), *Rubber and plastics test equipment — Tensile, flexural and compression types (constant rate of traverse) — Specification*

[ISO 23529:2016](#), *Rubber — General procedures for preparing and conditioning test pieces for physical test methods*

3 Terms and definitions

For the purposes of this document, the following terms and definitions apply.

ISO and IEC maintain terminology databases for use in standardization at the following addresses:

- ISO Online browsing platform: available at <https://www.iso.org/obp>
- IEC Electropedia: available at <https://www.electropedia.org/>

3.1

green strength

resistance of raw or unvulcanized compounded rubber to tensile deformation or fracture and thereby a measure of the ability of a rubber or rubber compound to resist tensile distortion during processing and in fabrication, e.g. tyre-building operations

Note 1 to entry: Several types of curve can be obtained, depending on the nature of polymer (see [Figure 1](#)). Usually, the green strength is expressed in terms of the yield stress or maximum stress.

4 Principle

The tensile stress-strain characteristics of a dumbbell or other recommended test piece of raw or unvulcanized compounded rubber are determined on a tensile-testing machine capable of maintaining a substantially constant rate of separation of the jaws.

5 Apparatus

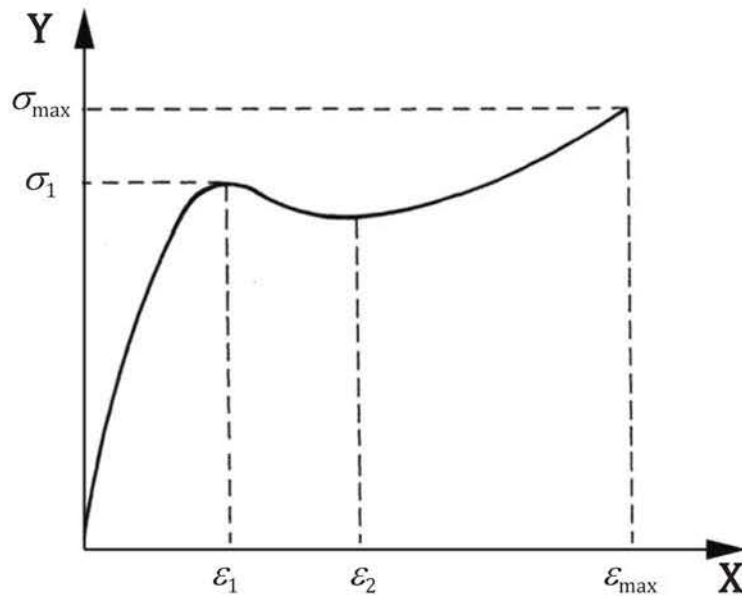
5.1 Tensile-testing machine, complying with the requirements of [ISO 5893:2019](#), class 2. It shall be capable of maintaining a constant rate of separation of the jaws at the preferred value of 100 mm/min. Other values can be used for special purposes. It shall have means of measuring the force on the test piece and the increase in the distance between the gauge marks on the dumbbell. It shall be capable of recording the force/elongation curve obtained during the test.

If an automatic extensometer is used, it shall be one of the non-contacting type.

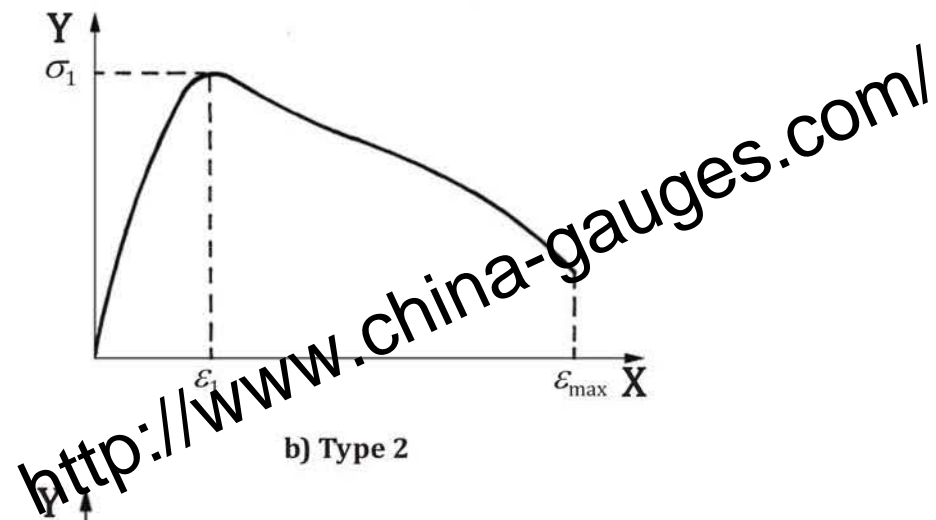
5.2 Mould, which meets the requirements of [ISO 2393](#). If the test piece with beaded ends (see [6.1](#)) is required, a special grooved mould, capable of producing a sheet 2 mm in thickness and 50 mm in length with a bead at both ends, as shown in [Figure 2](#), shall be used.

5.3 Curing press, large enough to take the mould, meeting the requirements of [ISO 2393](#).

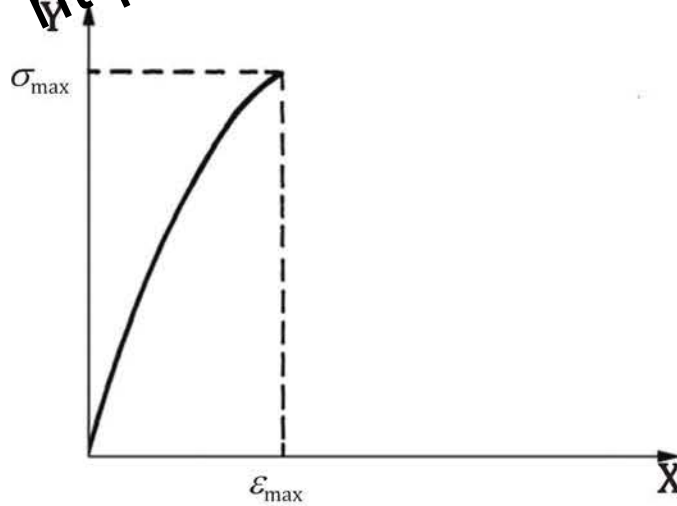
5.4 Fixture, for holding the test piece in the test machine. For the test piece with beaded ends, the fixture shall possess a suitable slot for gripping the test piece without any damage or slippage (see [Figure 3](#)).



a) Type 1



b) Type 2

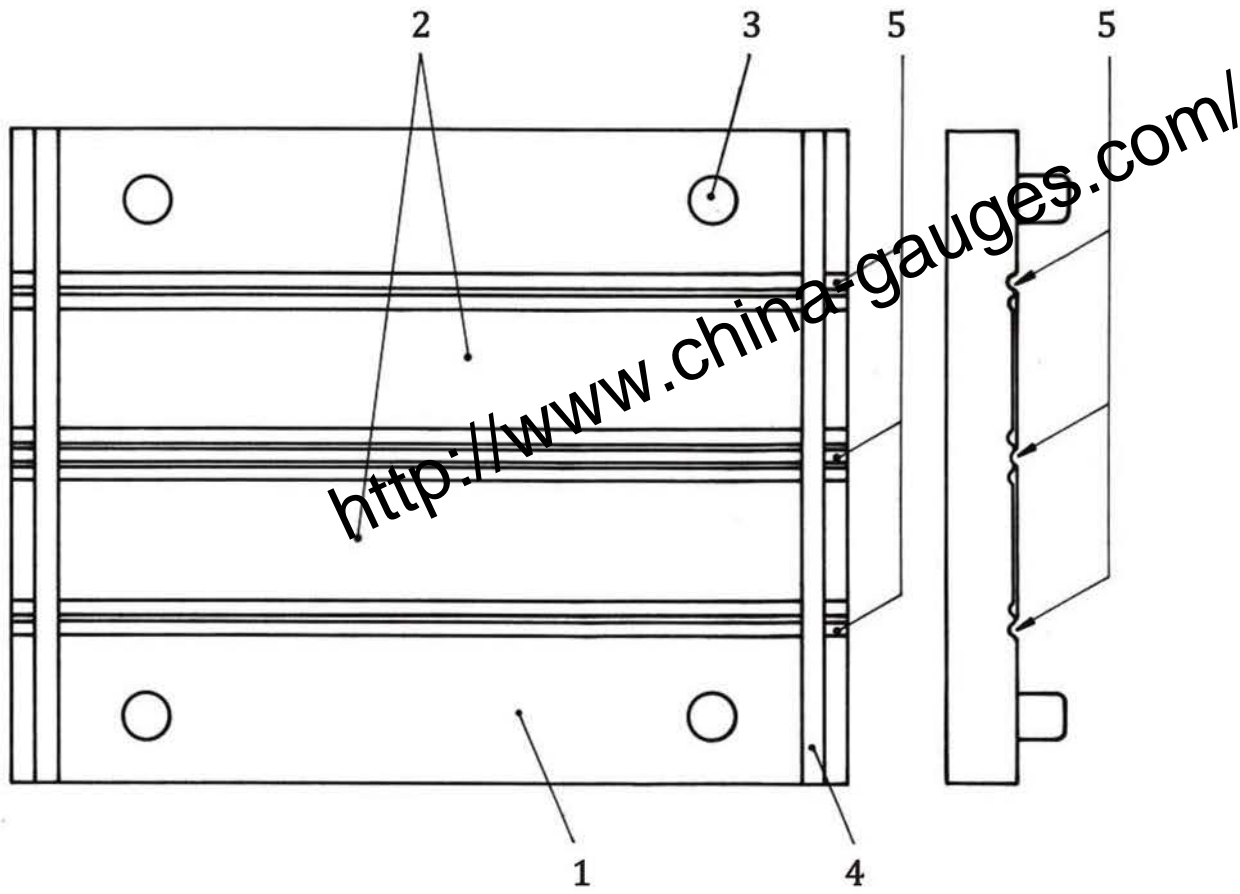


c) Type 3

Key

X	strain	ϵ_1, ϵ_2	yield elongation	ϵ_{max}	max. elongation
Y	stress	σ_1	yield stress	σ_{max}	max. stress

Figure 1 — Typical tensile stress-strain curves



- Key**
- 1 half mould (top view)
 - 2 two cavities
 - 3 adjusting bolt
 - 4 stop
 - 5 outflow grooves

Figure 2 — Mould for test piece with beaded ends

Dimensions in millimetres

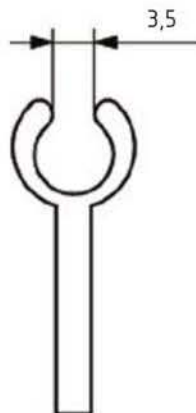


Figure 3 — Fixture with slot

6 Test piece

6.1 Dimensions

The recommended type of test piece is the one with beaded ends, of which the shape and dimensions are given in [Figure 4](#). Dumbbell test pieces of type 1, type 1A or type 2 as specified in [ISO 37](#) can also be used, in which case the ends of test pieces held in the grips can be protected by 10 Shore hardness vulcanized rubber, to avoid any damage. Since different types of test piece do not necessarily give the same values, comparison of the results from different dumbbells shall be avoided.

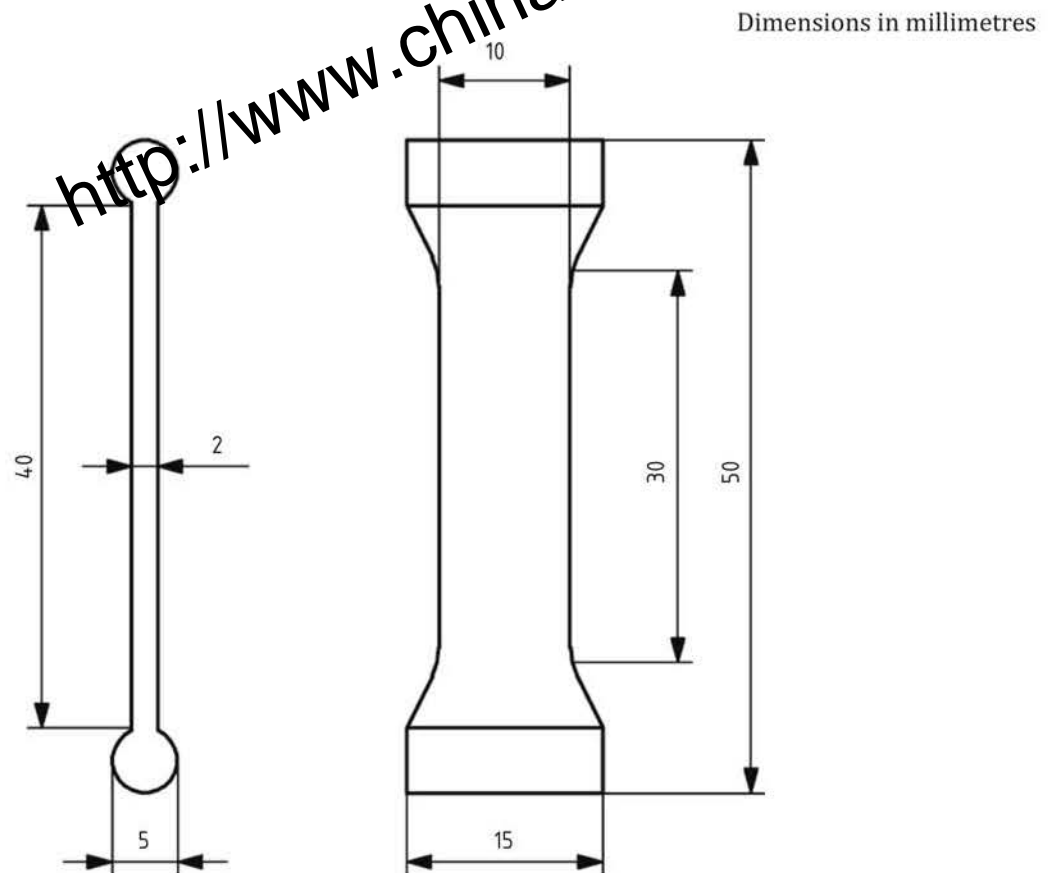


Figure 4 — Dumbbell test piece with beaded ends

6.2 Preparation

6.2.1 General

Standard test conditions shall be followed where determination of green strength of raw rubber or unvulcanized compounded rubber is to be made with no reference given to any particular process (see [Clauses 7 to 9](#)).

Raw rubber shall be homogenized in accordance with [ISO 1795](#).

6.2.2 Preparation of moulded test pieces

Raw rubber and unvulcanized rubber shall be sheeted out to approximately 2,2 mm thickness and placed in the mould with the grain direction oriented so as to have the grain direction along the length of the test pieces, care being taken that a suitable film is placed between the mould walls and the rubber compound in order to promote mould release. Polyester or PTFE film 0,25 mm thick has been

found suitable. The sample shall be compressed for 5 min at 100 °C under 2,5 MPa platen pressure, then removed after cooling to a chosen standard laboratory temperature under pressure.

NOTE 1 For some raw rubbers, longer times or higher moulding temperatures can be necessary in order to obtain a smooth sheet free from porosity. For some compounds, a lower temperature can be necessary when there is a danger of scorch at the preferred temperature.

NOTE 2 The cooling time depends on the apparatus used.

The test piece shall be cut from the sheet using a suitable die.

When it is necessary to characterize the behaviour of compounds intended to be used in a given application, the test pieces shall be prepared in such a way that the properties of the rubber are not altered.

6.2.3 Preparation of test pieces from calendered sheet

The dumbbell test pieces shall be prepared directly by die-cutting the test pieces from a sheet calendered from 2 mm to 4 mm thickness.

6.3 Number of test pieces

The test shall be carried out on at least five test pieces.

6.4 Measurement

Thickness shall be measured, using a micrometer gauge, in accordance with [ISO 23529:2016](#), method A, with a pressure of 10 kPa ± 2 kPa on the rubber. The result shall be taken as the median of three measured values.

The width shall be assumed to be equal to the width between the cutting edges of the central part of the die.

7 Conditioning

After suitable preparation, the test pieces shall be conditioned at the chosen standard laboratory temperature (see [ISO 23529](#)) for a fixed conditioning period between 24 h and 72 h.

The same conditioning period shall be used throughout the test and throughout a series of tests intended to be comparable.

8 Temperature of test

The test shall normally be carried out at the chosen standard laboratory temperature (see [ISO 23529](#)). Where other temperatures are used, take the preferred test temperatures as given in [ISO 23529](#).

The same temperature shall be used throughout the test and throughout a series of tests intended to be comparable.

9 Procedure

After removal of the mould-release film, when applicable (see [6.2.2](#)), insert test pieces with beaded ends in the fixture illustrated in [Figure 3](#). Adjust the rate of displacement of the moving jaw to 100 mm/min and start the tensile test. If the test piece breaks at the grips, that result shall be discarded and a retest carried out.

NOTE The preferred rate of separation of the jaws is 100 mm/min. In special cases, other rates can be used, but only tests carried out at the same rate can be compared.

10 Expression of results

Using the typical stress-strain curves given in [Figure 1](#), determine the yield stress or maximum stress in megapascals. Other parameters can be determined, such as yield elongation (ϵ_0) or the stress at a definite reference elongation corresponding to the deformation entailed by a subsequent processing operation.

The stresses are calculated from the initial cross-sectional area of the parallel-sided portion of the dumbbell. The stresses and elongation shall be calculated using the procedures and equations given in [ISO 37](#).

11 Test report

The test report shall include the following information:

- a) sample details:
 - 1) a full description of the sample and its origin,
the method of preparation of the test pieces (i.e. time and temperature of moulding, if not standard conditions),
 - 3) the type and dimensions of test piece,
 - 4) any relevant fact about the pre-test history of the test pieces;
- b) reference number of this document, i.e. [ISO 9026](#);
- c) test details:
 - 1) the standard temperature chosen,
the time of conditioning,
 - 3) the rate of separation of the moving jaw, if not the preferred rate of 100 mm/min,
 - 4) the temperature of test,
 - 5) the number of test pieces tested if more than five,
 - 6) details of any procedures not specified in this document;
- d) test results;
 - 1) the medians and ranges of all results (i.e. yield stress, maximum stress and, if applicable, yield elongation — see [Clause 10](#)).
- e) the date of the test.

British Standards Institution (BSI)

BSI is the national body responsible for preparing British Standards and other standards-related publications, information and services.

BSI is incorporated by Royal Charter. British Standards and other standardization products are published by BSI Standards Limited.

About us

We bring together business, industry, government, consumers, innovators and others to shape their combined experience and expertise into standards-based solutions.

The knowledge embodied in our standards has been carefully assembled in a dependable format and refined through our open consultation process. Organizations of all sizes and across all sectors choose standards to help them achieve their goals.

Information on standards

We can provide you with the knowledge that your organization needs to succeed. Find out more about British Standards by visiting our website at bsigroup.com/standards or contacting our Customer Services team or Knowledge Centre.

Buying standards

You can buy and download PDF versions of BSI publications, including British and adopted European and international standards, through our website at bsigroup.com/shop, where hard copies can also be purchased.

If you need international and foreign standards from other Standards Development Organizations, hard copies can be ordered from our Customer Services team.

Copyright in BSI publications

All the content in BSI publications, including British Standards, is the property of and copyrighted by BSI or some person or entity that owns copyright in the information used (such as the international standardization bodies) and has formally licensed such information to BSI for commercial publication and use.

Save for the provisions below, you may not transfer, share or disseminate any portion of the standard to any other person. You may not adapt, distribute, commercially exploit or publicly display the standard or any portion thereof in any manner whatsoever without BSI's prior written consent.

Storing and using standards

Standards purchased in soft copy format:

- user for personal or internal company use only.
- The standard may be stored on more than one device provided that it is accessible by the sole named user only and that only one copy is accessed at any one time.
- A single paper copy may be printed for personal or internal company use only.

Standards purchased in hard copy format:

- A British Standard purchased in hard copy format is for personal or internal company use only.
- It may not be further reproduced – in any format – to create an additional copy. This includes scanning of the document.

If you need more than one copy of the document, or if you wish to share the document on an internal network, you can save money by choosing a subscription product (see 'Subscriptions').

Reproducing extracts

For permission to reproduce content from BSI publications contact the BSI Copyright and Licensing team.

Subscriptions

Our range of subscription services are designed to make using standards easier for you. For further information on our subscription products go to bsigroup.com/subscriptions.

With **British Standards Online (BSOL)** you'll have instant access to over 55,000 British and adopted European and international standards from your desktop. It's available 24/7 and is refreshed daily so you'll always be up to date.

You can keep in touch with standards developments and receive substantial discounts on the purchase price of standards, both in single copy and subscription format, by becoming a **BSI Subscribing Member**.

PLUS is an updating service exclusive to BSI Subscribing Members. You will automatically receive the latest hard copy of your standards when they're revised or replaced.

To find out more about becoming a BSI Subscribing Member and the benefits of membership, please visit bsigroup.com/shop.

With a **Multi-User Network Licence (MUNL)** you are able to host standards publications on your intranet. Licences can cover as few or as many users as you wish. With updates supplied as soon as they're available, you can be sure your documentation is current. For further information, email cservices@bsigroup.com.

Revisions

Our British Standards and other publications are updated by amendment or revision.

We continually improve the quality of our products and services to benefit your business. If you find an inaccuracy or ambiguity within a British Standard or other BSI publication please inform the Knowledge Centre.

Useful Contacts

Customer Services

Tel: +44 345 086 9001

Email: cservices@bsigroup.com

Subscriptions

Tel: +44 345 086 9001

Email: subscriptions@bsigroup.com

Knowledge Centre

Tel: +44 20 8996 7004

Email: knowledgecentre@bsigroup.com

Copyright & Licensing

Tel: +44 20 8996 7070

Email: copyright@bsigroup.com

BSI Group Headquarters

389 Chiswick High Road London W4 4AL UK

<http://www.china-gauges.com/>