

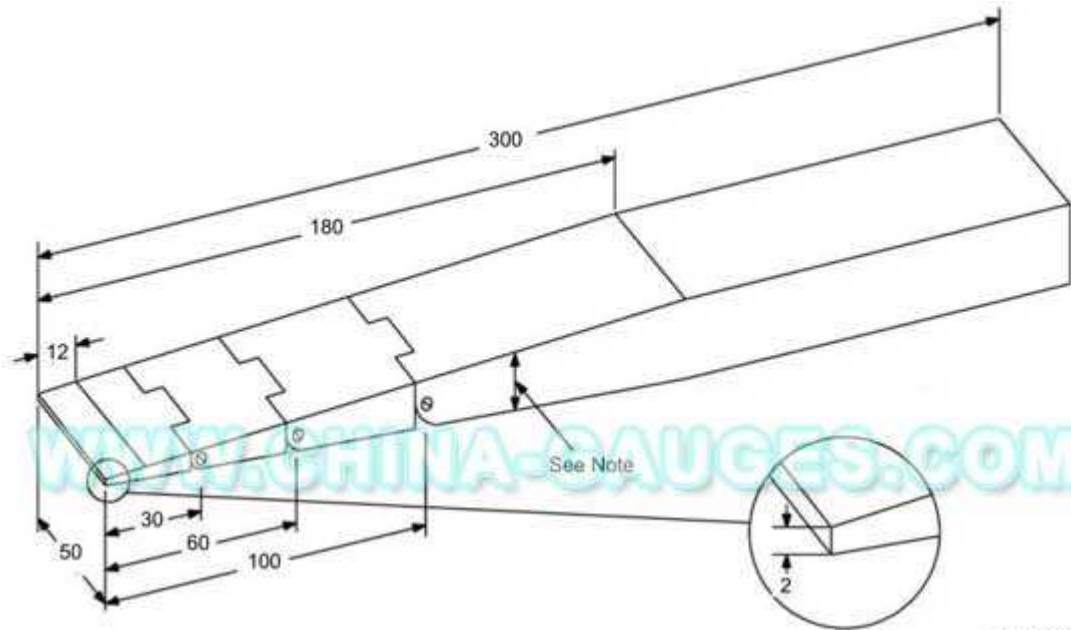


**1. Reference standard:**

IEC 62368-1 Figure V.4

**2. Product Details:**

This product is used for testing access to document shredders. The Jointed Accessibility Wedge Probe is a high precision probe made in exact accordance with UL and IEC standards such as IEC 62368-1 Figure V.4.



IEC 0410/14

*Dimensions in millimetres*

Tolerances on linear dimensions without specific tolerances:

≤ 25 mm: ± 0,13 mm

> 25 mm: ± 0,3 mm

NOTE The thickness of the probe varies linearly, with slope changes at the following points along the probe:

Distance from probe tip mm	Probe thickness mm
0	2
12	4
180	24

**Figure V.4 – Wedge probe**