



BSI Standards Publication

Geometrical product specifications (GPS) – Dimensional measuring equipment

Part 2: Design and metrological characteristics of calliper depth gauges

EUROPEAN STANDARD

EN ISO 13385-2

NORME EUROPÉENNE

EUROPÄISCHE NORM

May 2020

ICS 17.040.30

Supersedes EN ISO 13385-2:2011

English Version

Geometrical product specifications (GPS) - Dimensional
measuring equipment - Part 2: Design and metrological
characteristics of calliper depth gauges (ISO
13385-2:2020)

Spécification géométrique des produits (GPS)
- Équipement de mesurage dimensionnel -
Partie 2: Caractéristiques de conception et
caractéristiques métrologiques des jauges
de profondeur (ISO 13385-2:2020)

Geometrische Produktspezifikation (GPS) -
Längenmessgeräte - Teil 2: Tiefenmessschieber;
Konstruktionsmerkmale und messtechnische
Anforderungen (ISO 13385-2:2020)

This European Standard was approved by CEN on 22 March 2020.

CEN members are bound to comply with the CEN/CENELEC Internal Regulations which stipulate the conditions for giving this European Standard the status of a national standard without any alteration. Up-to-date lists and bibliographical references concerning such national standards may be obtained on application to the CEN-CENELEC Management Centre or to any CEN member.

This European Standard exists in three official versions (English, French, German). A version in any other language made by translation under the responsibility of a CEN member into its own language and notified to the CEN-CENELEC Management Centre has the same status as the official versions.

CEN members are the national standards bodies of Austria, Belgium, Bulgaria, Croatia, Cyprus, Czech Republic, Denmark, Estonia, Finland, France, Germany, Greece, Hungary, Iceland, Ireland, Italy, Latvia, Lithuania, Luxembourg, Malta, Netherlands, Norway, Poland, Portugal, Republic of North Macedonia, Romania, Serbia, Slovakia, Slovenia, Spain, Sweden, Switzerland, Turkey and United Kingdom.



EUROPEAN COMMITTEE FOR STANDARDIZATION
COMITÉ EUROPÉEN DE NORMALISATION
EUROPÄISCHES KOMITEE FÜR NORMUNG

CEN-CENELEC Management Centre: Rue de la Science 23, B-1040 Brussels

European foreword

This document (EN ISO 13385-2:2020) has been prepared by Technical Committee ISO/TC 213 "Dimensional and geometrical product specifications and verification" in collaboration with Technical Committee CEN/TC 290 "Dimensional and geometrical product specification and verification" the secretariat of which is held by AFNOR.

This European Standard shall be given the status of a national standard, either by publication of an identical text or by endorsement, at the latest by November 2020, and conflicting national standards shall be withdrawn at the latest by November 2020.

Attention is drawn to the possibility that some of the elements of this document may be the subject of patent rights. CEN shall not be held responsible for identifying any or all such patent rights.

This document supersedes EN ISO 13385-2:2011.

According to the CEN-CENELEC Internal Regulations, the national standards organizations of the following countries are bound to implement this European Standard: Austria, Belgium, Bulgaria, Croatia, Cyprus, Czech Republic, Denmark, Estonia, Finland, France, Germany, Greece, Hungary, Iceland, Ireland, Italy, Latvia, Lithuania, Luxembourg, Malta, Netherlands, Norway, Poland, Portugal, Republic of North Macedonia, Romania, Serbia, Slovakia, Slovenia, Spain, Sweden, Switzerland, Turkey and the United Kingdom.

Endorsement notice

The text of [ISO 13385-2:2020](#) has been approved by CEN as EN ISO 13385-2:2020 without any modification.

Contents

Page

Foreword.....	iv
Introduction.....	v
1 Scope.....	1
2 Normative references.....	1
3 Terms and definitions.....	1
4 Design characteristics.....	2
4.1 General design and nomenclature.....	2
Dimensions.....	4
Metrological characteristics.....	4
5.1 General.....	4
5.2 Rated operating conditions.....	4
5.3 Reference point.....	4
5.4 Test methods.....	5
5.5 Partial surface contact error, E (limited by E_{MPE}).....	5
5.6 Shift error, S (limited by S_{MPE}).....	6
5.7 MPE values.....	7
5.8 Special cases.....	7
6 Determination of conformity to specifications.....	8
6.1 General.....	8
6.2 Measurement uncertainty.....	8
6.3 Decision rule.....	8
7 Marking.....	9
Annex A (informative) Calibration guidelines for metrological characteristics.....	10
Annex B (normative) Default MPE values for metrological characteristics.....	11
Annex C (informative) Relation to the GPS matrix model.....	12
Bibliography.....	13

Foreword

ISO (the International Organization for Standardization) is a worldwide federation of national standards bodies (ISO member bodies). The work of preparing International Standards is normally carried out through ISO technical committees. Each member body interested in a subject for which a technical committee has been established has the right to be represented on that committee. International organizations, governmental and non-governmental, in liaison with ISO, also take part in the work. ISO collaborates closely with the International Electrotechnical Commission (IEC) on all matters of electrotechnical standardization.

The procedures used to develop this document and those intended for its further maintenance are described in the ISO/IEC Directives, Part 1. In particular, the different approval criteria needed for the different types of ISO documents should be noted. This document was drafted in accordance with the editorial rules of the ISO/IEC Directives, Part 2 (see www.iso.org/directives).

Attention is drawn to the possibility that some of the elements of this document may be the subject of patent rights. ISO shall not be held responsible for identifying any or all such patent rights. Details of any patent rights identified during the development of the document will be in the Introduction and/or on the ISO list of patent declarations received (see www.iso.org/patents).

Any trade name used in this document is information given for the convenience of users and does not constitute an endorsement.

For an explanation of the voluntary nature of standards, the meaning of ISO specific terms and expressions related to conformity assessment, as well as information about ISO's adherence to the World Trade Organization (WTO) principles in the Technical Barriers to Trade (TBT) see www.iso.org/iso/foreword.html.

This document was prepared by Technical Committee ISO/TC 213, *Dimensional and geometrical product specifications and verification*, in collaboration with the European Committee for Standardization (CEN) Technical Committee CEN/TC 290, *Dimensional and geometrical product specification and verification*, in accordance with the Agreement on technical cooperation between ISO and CEN (Vienna Agreement).

This second edition cancels and replaces the first edition ([ISO 13385-2:2011](http://www.iso.org/iso/13385-2:2011)), which has been technically revised.

The main changes to the previous edition are as follows:

- figures have been updated to show more modern technology;
- general design characteristics have been removed and reference to [ISO 14978:2018](http://www.iso.org/iso/14978:2018) included;
- metrological characteristics have been clarified and modified;
- requirements for test methods have been included;
- default values for maximum permissible errors have been added.

A list of all parts in the ISO 13385 series can be found on the ISO website.

Any feedback or questions on this document should be directed to the user's national standards body. A complete listing of these bodies can be found at www.iso.org/members.html.

Introduction

This document is a geometrical product specification (GPS) standard and is to be regarded as a general GPS standard (see [ISO 14638](#)). It influences chain links F and G of the chain of standards on size and distance in the general GPS matrix (see [Annex A](#)).

The ISO GPS matrix model given in [ISO 14638](#) gives an overview of the ISO GPS system of which this document is a part. The fundamental rules of ISO GPS given in [ISO 8015](#) apply to this document and the default decision rules given in [ISO 14253-1](#) apply to specifications made in accordance with this document, unless otherwise indicated; see ISO/TR 14253-6 for additional information on the selection of alternative decision rules.

For more detailed information on the relation of this document to other standards and the GPS matrix model, see [Annex C](#).

<http://www.china-gauges.com/>

Geometrical product specifications (GPS) – Dimensional measuring equipment —

Part 2:

Design and metrological characteristics of calliper depth gauges

Scope

This document specifies the most important design and metrological characteristics of calliper depth gauges

- with analogue indication: vernier scale or circular scale (dial); and
- with digital indication: digital display.

2 Normative references

The following documents are referred to in the text in such a way that some or all of their content constitutes requirements of this document. For dated references, only the edition cited applies. For undated references, the latest edition of the referenced document (including any amendments) applies.

[ISO 14253-1](#), *Geometrical product specifications (GPS) — Inspection by measurement of workpieces and measuring equipment — Part 1: Decision rules for verifying conformity or nonconformity with specifications*

[ISO 14253-5](#), *Geometrical product specifications (GPS) — Inspection by measurement of workpieces and measuring equipment — Part 5: Uncertainty in verification testing of indicating measuring instruments*

ISO/TR 14253-6, *Geometrical product specifications (GPS) — Inspection by measurement of workpieces and measuring equipment — Part 6: Generalized decision rules for the acceptance and rejection of instruments and workpieces*

[ISO 14978:2018](#), *Geometrical product specifications (GPS) — General concepts and requirements for GPS measuring equipment*

ISO/IEC Guide 98-3, *Uncertainty of measurement — Part 3: Guide to the expression of uncertainty in measurement (GUM:1995)*

ISO/IEC Guide 99, *International vocabulary of metrology — Basic and general concepts and associated terms (VIM)*

3 Terms and definitions

For the purposes of this document, the terms and definitions given in [ISO 14978](#) and ISO/IEC Guide 99 and the following apply.

ISO and IEC maintain terminological databases for use in standardization at the following addresses:

- ISO Online browsing platform: available at <https://www.iso.org/obp>
- IEC Electropedia: available at <http://www.electropedia.org>

3.1 calliper depth gauge

measuring instrument which gives the evaluation of a dimensional quantity of a step or depth of a feature corresponding to the distance between the end of a beam and the face of a measuring base on the basis of the movement of a slider, moving relative to a measuring scale on a rigid beam

Note 1 to entry: See examples in [Figures 1](#) and [2](#).

Note 2 to entry: The indication can be either analogue (vernier scale or circular scale) or digital.

3.2 measuring face contact

contact between the measuring face and an integral feature of a workpiece

3.2.1 full measuring face contact

contact between the full area of the measuring face and an integral feature of a workpiece

3.2.2 partial measuring face contact

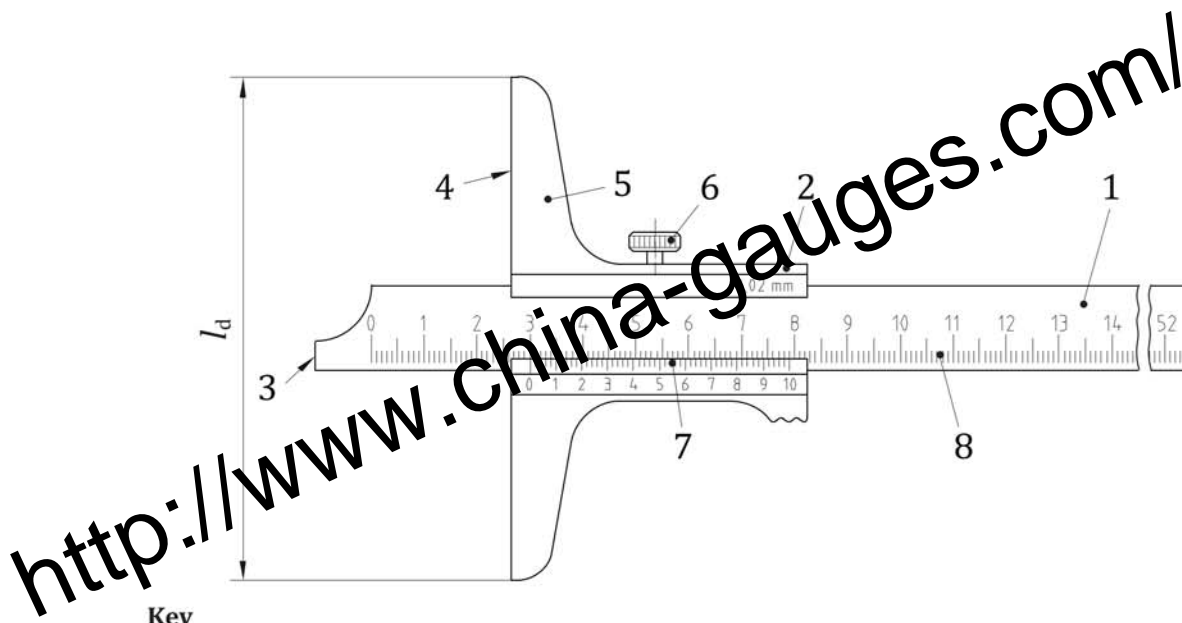
contact between a partial area of the measuring face and an integral feature of a workpiece

4 Design characteristics

4.1 General design and nomenclature

The design shall follow the general guidelines in [ISO 14978](#), including the common design characteristics in [ISO 14978:2018](#), Annex C. Examples of the general design of calliper depth gauges are shown in [Figures 1](#) and [2](#).

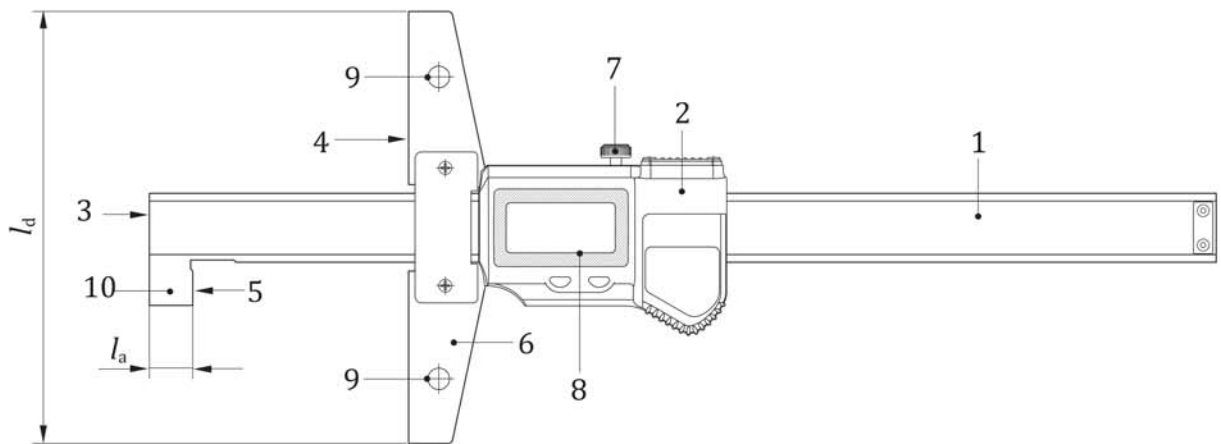
The scale interval of the main scale on the beam of a calliper depth gauge with a vernier scale shall be 1 mm. In the case of callipers with circular scales, the scale interval on the beam shall be either 1 mm or 2 mm.



Key

- | | |
|------------------------|--------------------------------|
| 1 beam | 6 locking screw |
| 2 slider | 7 vernier scale |
| 3 depth measuring face | 8 main scale |
| 4 base measuring face | l_d length of measuring base |
| 5 measuring base | |

Figure 1 — Example design of a vernier calliper depth gauge (slider with locking screw)



Key

- | | |
|------------------------|---|
| 1 beam | 7 locking screw |
| 2 slider | 8 digital display |
| 3 depth measuring face | 9 fixing holes for extension measuring base |
| 4 base measuring face | 10 hook |
| 5 hook measuring face | l_d length of measuring base |
| 6 measuring base | l_a width of hook |

Figure 2 — Example design of a digital calliper depth gauge with a hook end and with fixing holes for an extension measuring base

4.2 Dimensions

The manufacturer shall state important calliper depth gauge design dimensions, such as those shown in [Table 1](#). The values shown in [Table 1](#) are typical dimensions of the elements of calliper depth gauges and are not requirements of this document.

For calliper depth gauges with a hook end, the manufacturer shall state the dimensions of the hook.

Table 1 — Typical dimensions of calliper depth gauges

Dimensions in millimetres

Measuring range less than or equal to	Length, l_d , of the measuring base
150	100
200	100
250	100
300	100 to 150
350	100 to 150
500	150 to 250
1 000	150 to 250

5 Metrological characteristics

5.1 General

The metrological characteristics and associated maximum permissible error (MPE) values apply to any indications permitted for use of the calliper depth gauge as defined by the manufacturer and when used in accordance with the manufacturer's recommendations. See [Annex A](#) for additional information. The MPE values cannot be smaller than the digital step or the scale interval on the circular scale or vernier scale.

5.2 Rated operating conditions

The manufacturer shall state any rated operating conditions that apply to the MPE values. All MPE values apply at a rated operating condition for a temperature of 20 °C exactly, unless otherwise stated.

Test values shall therefore be corrected to 20 °C to obtain the error of indication that the calliper depth gauge would have produced had the test been performed at 20 °C. If temperature correction to 20 °C is not performed, this document allows the consequences to be included in the evaluation of the measurement uncertainty of the test values (see [6.2](#)).

A calliper depth gauge is a manually operated measuring instrument, and the user of the calliper depth gauge is therefore necessarily included in the measuring system that is specified in accordance with this document. The user shall be reasonably skilled in the operation of the calliper depth gauge.

5.3 Reference point

Calliper depth gauges with a digital display or a circular scale shall have an adjustable zero point. It shall be possible to set calliper depth gauges with a digital display to zero in any position within the measuring range; it shall be possible to set calliper depth gauges with a circular scale to zero within the range of the circular scale.

For calliper depth gauges with an adjustable zero point, the metrological characteristics described in this document apply when the measuring faces are properly pressed against a flat surface for zero or offset setting, and therefore the reference point is considered fixed at this point when evaluating the metrological characteristics.

For calliper depth gauges without an adjustable zero point, there can be an error when the depth measuring face is brought into contact with a flat surface. This error shall be included in the evaluation of the metrological characteristics without applying any correction for it.

5.4 Test methods

The errors of indication shall be tested with suitable instruments or measurement standards for example with gauge blocks according to [ISO 3650](#) and a surface plate. When testing conformity to specification, sufficient testing shall be used to establish confidence in the results.

For acceptance testing, the customer is free to choose the test points; however, unless otherwise specified, the acceptance testing shall conform to the requirements in this document.

When considering test points, appropriate consideration shall be given to the calliper depth gauge design and operating conditions that might indicate the presence of short-length cyclic or local errors. For calliper depth gauges with circular scales or vernier scales, the chosen test points shall cover the range of the circular or vernier scale. For example, for calliper depth gauges with circular scales, test points shall be chosen that orient the pointer at various angles within the circular scale.

5.5 Partial surface contact error, E (limited by E_{MPE})

The partial surface contact error is the error of indication when partial measuring face contact is employed to measure a measurement standard. This error is calculated as the signed difference between the calliper depth gauge indication and the reference value of the measurement standard.

The partial surface contact error shall be tested by measuring a measurement standard whose physical interface with the base has a relatively small surface, for example a pair of gauge blocks according to [ISO 3650](#) standing on a suitable surface plate at multiple test points located across the measuring range of the calliper depth gauge and located on different positions along the base measuring face (see [Figure 3](#)).

The test points shall be distributed as evenly as practicable across the measuring range of the calliper depth gauge with the minimum number of test points according to [Table 2](#). At least one test point shall be at 90 % or greater of the measuring range. The reference point does not count towards satisfying the minimum test points in [Table 2](#). Two test points, one near the beam and one as far as possible from the beam, shall be taken for both the longest and shortest measurement standards in the test for partial surface contact error (see [Figure 3](#)).

The averaging of multiple indications is not permitted when calculating the partial surface contact error. As such, the influence of repeatability is included in the test for partial surface contact error.

NOTE The partial surface contact error is intended to detect a combination of calliper depth gauge errors, for example scale errors, the effect of the applied measuring force, the play between the beam and the slider, the deflection of the beam and the influence of the flatness of the measuring base.

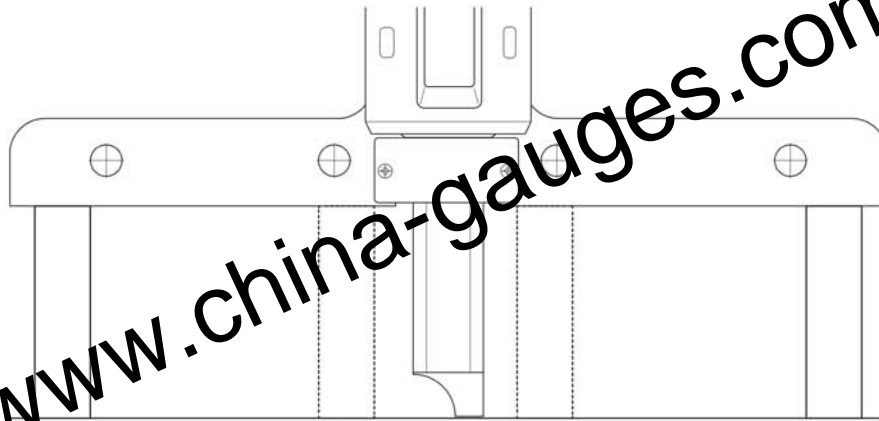


Figure 3 — Example of test arrangement for partial surface contact error showing two different test points near the beam and as far as practically possible from the beam

Table 2 — Number of test points for partial surface contact error

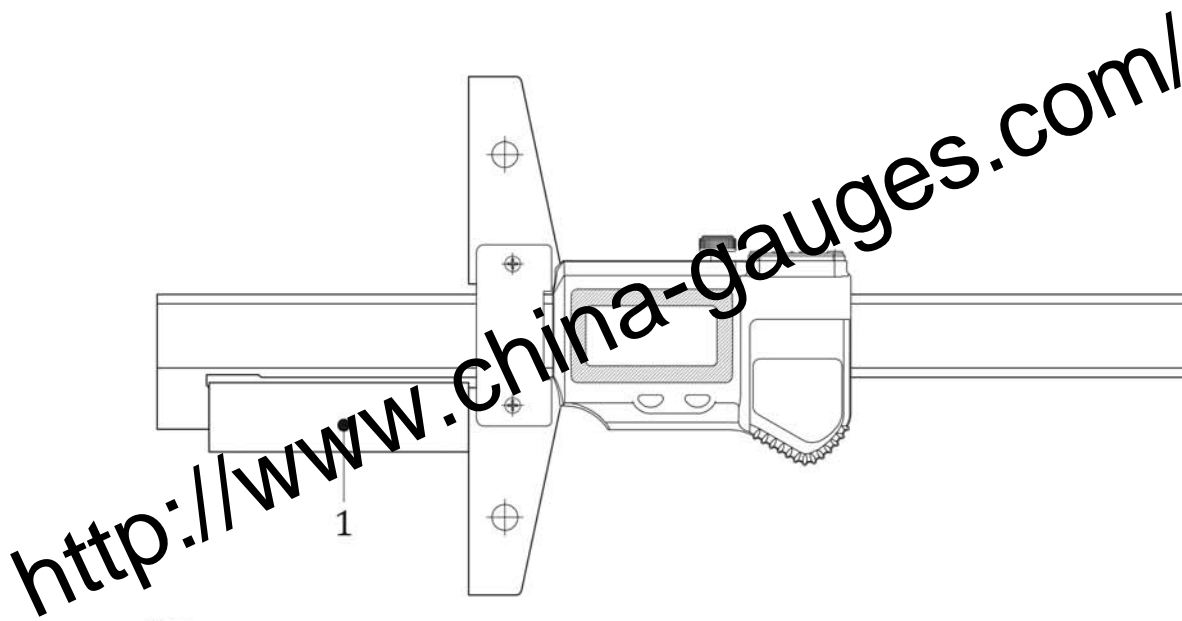
Measuring range less than or equal to mm	Minimum number of test points
150	5
300	6
1 000	7
Over 1 000	8

5.6 Shift error, S (limited by S_{MPE})

The shift error is the error of indication when full or partial measuring face contact is employed for any measuring faces other than one where the zero or reference (offset) setting was performed (see [Figure 4](#)).

After zero or reference (offset) setting with the hook measuring face contacting to the base measuring face, this error is calculated as the signed difference between the calliper depth gauge indication and the reference value of a measurement standard when using the depth measuring face, if necessary considering the dimension of the hook.

Each of the types of measurement that the calliper depth gauge is designed to perform shall be separately tested with at least one test point. For each, the shift error shall be tested by measuring an appropriate measurement standard. A gauge block according to [ISO 3650](#) can be used for testing.



Key

- 1 gauge block

Figure 4 — Example of test arrangement for shift error

5.7 MPE values

For acceptance tests, MPE values shall be stated by the manufacturer in accordance with this document. For reverification tests, the MPE values shall be stated by the user. [Table 3](#) provides an example of a specification sheet with blanks to enter the MPE values. This document is intended to be used by the manufacturer or user to state the MPE values. [Annex B](#) shall be used for situations when no MPE values are stated.

5.8 Special cases

For calliper depth gauges equipped with more than one scale, for example two vernier scales, the MPE values apply to the use of the multiple scales. Testing shall be done across the measuring range of the calliper depth gauge using each scale.

For calliper depth gauges equipped with multiple measuring faces on the beam, for example the calliper depth gauge shown in [Figure 2](#), the MPE values apply to all measuring faces for depth measurement. One face shall be tested for partial surface contact error, *E*, and the others for shift error, *S*.

Table 3 — Example of specification sheet for metrological characteristics

Measured length, <i>l</i> mm	MPE of indication	
	<i>E</i> _{MPE} μm	<i>S</i> _{MPE} μm
0 ≤ <i>l</i> ≤ 50		
50 < <i>l</i> ≤ 100		
100 < <i>l</i> ≤ 200		
200 < <i>l</i> ≤ 300		
300 < <i>l</i> ≤ 400		
400 < <i>l</i> ≤ 500		
500 < <i>l</i> ≤ 600		
600 < <i>l</i> ≤ 700		
700 < <i>l</i> ≤ 800		
800 < <i>l</i> ≤ 1 000		

Analogue scale interval or digital step: _____ mm

6 Determination of conformity to specifications

6.1 General

All errors of indication shall conform to the specified MPE values.

6.2 Measurement uncertainty

Evaluation of measurement uncertainty shall be performed in accordance with ISO/IEC Guide 98-3.

When determining conformity with specification, the measurement uncertainty associated with a test value (the test value uncertainty) shall be evaluated in accordance with [ISO 14253-5](#). Additional guidance is available in [ISO 14978:2018](#), Annex D.

Uncertainty associated with the reference standards used in testing, as well as any uncertainty associated with temperature, shall generally be included as contributors to the measurement uncertainty. The errors of the calliper depth gauges, such as contributions from repeatability and resolution, are not included in the test value uncertainty.

As in [5.2](#), the user of the calliper depth gauges shall be skilled in the operation of the calliper depth gauges to properly determine conformity to specifications. As discussed in [ISO 14253-5](#), when the user is sufficiently skilled, any variation in the test values associated with the skills of the user of the calliper depth gauges is generally not included as a contributor to the measurement uncertainty.

6.3 Decision rule

When demonstrating conformity or non-conformity to specifications, the decision rule accompanying the specifications shall be followed. If no decision rule is stated with the specifications, and no special agreement is made between supplier and customer, then the default rule of [ISO 14253-1](#) shall apply.

NOTE Information on the selection of an alternative decision rule can be found in ISO/TR 14253-6.

7 Marking

Calliper depth gauges shall be marked with durable, serialized identification using unique alphanumeric identification to identify the individual measuring equipment.

For the calliper depth gauge shown in [Figure 2](#), the value of the width, l_a , shall be indicated on the slider if there is no additional vernier scale on the slider used for the measurement with the depth measuring face.

<http://www.china-gauges.com/>

Annex A
(informative)

Calibration guidelines for metrological characteristics

The calibration of a calliper depth gauge should generally include the evaluation of the performance of the calliper depth gauge within its measuring range.

In general, the calibration should include verification testing of all metrological characteristics across the measuring range in accordance with this document. Based on the intended use of the calliper depth gauge, a task-related calibration should be taken into consideration.

EXAMPLE For a calliper depth gauge that is intended to only be used in a partial measuring range, the testing of the whole measuring range could be considered unnecessary.

Annex B
(normative)

Default MPE values for metrological characteristics

If no MPE values are otherwise stated then the values in [Table B.1](#) shall apply for calliper depth gauges with a measuring range up to 1 000 mm and with analogue scale interval or digital step of 0,01 mm, 0,02 mm or 0,05 mm.

For the MPE values in [Table B.1](#), the decision rule that applies when demonstrating conformity or non-conformity to specification shall be simple acceptance and rejection, with the measurement capability index, C_m , being four or larger, in accordance with ISO/TR 14253-6. The measurement uncertainty of the test values shall be evaluated in accordance with [ISO 14253-5](#) (see [6.2](#)).

NOTE The MPE values in [Table B.1](#) include a simple acceptance and rejection decision rule in accordance with ISO/TR 14253-6. This is an example of stating a decision rule other than the default rule of [ISO 14253-1](#) (see [6.3](#)).

Table B.1 — MPE values for calliper depth gauges with measuring range up to 1 000 mm

Measured length, l mm	Analogue scale interval or digital step					
	0,01 mm		0,02 mm		0,05 mm	
	E_{MPE} μm	S_{MPE} μm	E_{MPE} μm	S_{MPE} μm	E_{MPE} μm	S_{MPE} μm
$0 \leq l \leq 50$	± 20	± 30	± 20	± 40	± 50	± 50
$50 < l \leq 100$	± 30	± 50	± 40	± 60	± 50	± 100
$100 < l \leq 200$	± 30	± 50	± 40	± 60	± 100	± 100
$200 < l \leq 300$	± 40	± 60	± 40	± 60	± 100	± 100
$300 < l \leq 400$	± 40	± 60	± 40	± 60	± 100	± 100
$400 < l \leq 500$	± 50	± 70	± 60	± 80	± 100	± 100
$500 < l \leq 600$	± 50	± 70	± 60	± 80	± 150	± 150
$600 < l \leq 700$	± 60	± 80	± 60	± 80	± 150	± 150
$700 < l \leq 800$	± 60	± 80	± 60	± 80	± 150	± 150
$800 < l \leq 1\,000$	± 70	± 90	± 80	± 100	± 150	± 150

Annex C
 (informative)

Relation to the GPS matrix model

C.1 General

For full details of the GPS matrix model, see [ISO 14638](#).

The ISO GPS matrix model given in [ISO 14638](#) gives an overview of the ISO GPS system of which this document is a part. The fundamental rules of ISO GPS given in [ISO 8015](#) apply to this document and the default decision rules given in [ISO 14253-1](#) apply to specifications made in accordance with this document, unless otherwise indicated; see ISO/TR 14253-6 for additional information on the selection of alternative decision rules.

C.2 Information about this document and its use

This document provides the most important design and metrological characteristics of calliper depth gauges with vernier scale, circular scale (dial) and digital indication.

C.3 Position in the GPS matrix model

This document is a general GPS standard that influences the chain links F and G for measuring equipment and calibration on size and distance in the general GPS matrix, as graphically illustrated in [Table C.1](#).

Table C.1 — Position in the GPS matrix model

	Chain links						
	A	B	C	D	E	F	G
	Symbols and indications	Feature requirements	Feature properties	Conformance and non-conformance	Measurement	Measuring equipment	Calibration
Size						•	•
Distance						•	•
Form							
Orientation							
Location							
Run-out							
Profile surface texture							
Areal surface texture							
Surface imperfections							

C.4 Related International Standards

The related International Standards are those of the chains of standards indicated in [Table C.1](#).

Bibliography

- [1] [ISO 1](#), *Geometrical product specifications (GPS) — Standard reference temperature for the specification of geometrical and dimensional properties*
- [2] [ISO 3650](#), *Geometrical Product Specifications (GPS) — Length standards — Gauge blocks*
- [3] [ISO 8015](#), *Geometrical product specifications (GPS) — Fundamentals — Concepts, principles and rules*
- [4] [ISO 13385-2](#), *Geometrical product specifications (GPS) — Inspection by measurement of workpieces and measuring equipment — Part 2: Guidance for the estimation of uncertainty in GPS measurement, in calibration of measuring equipment and in product verification*
- [5] [ISO 14638](#), *Geometrical product specifications (GPS) — Matrix model*
- [6] ISO/TR 16015, *Geometrical product specifications (GPS) — Systematic errors and contributions to measurement uncertainty of length measurement due to thermal influences*
- [7] [ISO/IEC 17025](#), *General requirements for the competence of testing and calibration laboratories*

<http://www.china-gauges.com/>

About us

We bring together business, industry, government, consumers, innovators and others to shape their combined experience and expertise into standards based solutions.

The knowledge embodied in our standards has been carefully assembled in a dependable format and refined through our open consultation process. Organizations of all sizes and across all sectors choose standards to help them achieve their goals.

Information on standards

We can provide you with the knowledge that your organization needs to succeed. Find out more about British Standards by visiting our website at bsigroup.com/standards or contacting our Customer Services team or Knowledge Centre.

Buying standards

You can buy and download PDF versions of BSI publications, including British and adopted European and international standards, through our website at bsigroup.com/shop, where hard copies can also be purchased.

If you need international and foreign standards from other Standards Development Organizations, hard copies can be ordered from our Customer Services team.

Copyright in BSI publications

All the content in BSI publications, including British Standards, is the property of and copyrighted by BSI or some person or entity that owns copyright in the information used (such as the international standardization bodies) and has formally licensed such information to BSI for commercial publication and use.

Save for the provisions below, you may not transfer, share or disseminate any portion of the standard to any other person. You may not adapt, distribute, commercially exploit or publicly display the standard or any portion thereof in any manner whatsoever without BSI's prior written consent.

Storing and using standards

Standards purchased in soft copy format:

- A British Standard purchased in soft copy format is licensed to a sole named user for personal or internal company use only.
- The standard may be stored on more than one device provided that it is accessible by the sole named user only and that only one copy is accessed at any one time.
- A single paper copy may be printed for personal or internal company use only.

Standards purchased in hard copy format:

- A British Standard purchased in hard copy format is for personal or internal company use only.
- It may not be further reproduced – in any format – to create an additional copy. This includes scanning of the document.

If you need more than one copy of the document, or if you wish to share the document on an internal network, you can save money by choosing a subscription product (see 'Subscriptions').

Reproducing extracts

For permission to reproduce content from BSI publications contact the BSI Copyright and Licensing team.

Subscriptions

Our range of subscription services are designed to make using standards easier for you. For further information on our subscription products go to bsigroup.com/subscriptions.

With **British Standards Online (BSOL)** you'll have instant access to over 55,000 British and adopted European and international standards from your desktop. It's available 24/7 and is refreshed daily so you'll always be up to date.

You can keep in touch with standards developments and receive substantial discounts on the purchase price of standards, both in single copy and subscription format, by becoming a **BSI Subscribing Member**.

PLUS is an updating service exclusive to BSI Subscribing Members. You will automatically receive the latest hard copy of your standards when they're revised or replaced.

To find out more about becoming a BSI Subscribing Member and the benefits of membership, please visit bsigroup.com/shop.

With a **Multi-User Network Licence (MUNL)** you are able to host standards publications on your intranet. Licences can cover as few or as many users as you wish. With updates supplied as soon as they're available, you can be sure your documentation is current. For further information, email cservices@bsigroup.com.

Revisions

Our British Standards and other publications are updated by amendment or revision.

We continually improve the quality of our products and services to benefit your business. If you find an inaccuracy or ambiguity within a British Standard or other BSI publication please inform the Knowledge Centre.

Useful Contacts

Customer Services

Tel: +44 345 086 9001

Email: cservices@bsigroup.com

Subscriptions

Tel: +44 345 086 9001

Email: subscriptions@bsigroup.com

Knowledge Centre

Tel: +44 20 8996 7004

Email: knowledgecentre@bsigroup.com

Copyright & Licensing

Tel: +44 20 8996 7070

Email: copyright@bsigroup.com

BSI Group Headquarters

389 Chiswick High Road London W4 4AL UK