



BSI Standards Publication

Testing hardened concrete

Part 13: Determination of secant modulus of elasticity in compression

National foreword

This British Standard is the UK implementation of [EN 12390-13:2021](#). It supersedes [BS EN 12390-13:2003](#), which is withdrawn.

The UK participation in its preparation was entrusted to Technical Committee P/517, Concrete production and testing.

A list of organizations represented on this committee can be obtained on request to its committee manager.

Contractual and legal considerations

This publication has been prepared in good faith, however no representation, warranty, assurance or undertaking (express or implied) is or will be made, and no responsibility or liability is or will be accepted by BSI in relation to the adequacy, accuracy, completeness or reasonableness of this publication. All and any such responsibility and liability is expressly disclaimed to the full extent permitted by the law.

This publication is provided as is, and is to be used at the recipient's own risk.

The recipient is advised to consider seeking professional guidance with respect to its use of this publication.

This publication is not intended to constitute a contract. Users are responsible for its correct application.

© The British Standards Institution 2021
Published by BSI Standards Limited 2021

ISBN 978 0 539 05352 4

ICS 91.100.30

Compliance with a British Standard cannot confer immunity from legal obligations.

This British Standard was published under the authority of the Standards Policy and Strategy Committee on 31 August 2021.

Amendments/corrigenda issued since publication

Date	Text affected
------	---------------

EUROPEAN STANDARD

EN 12390-13

NORME EUROPÉENNE

EUROPÄISCHE NORM

July 2021

ICS 91.100.30

Supersedes EN 12390-13:2013

English Version

Testing hardened concrete - Part 13: Determination of
secant modulus of elasticity in compression

Essais pour béton durci - Partie 13 : Détermination
du module sécant d'élasticité en compression

Prüfung von Festbeton - Teil 13:
Bestimmung des Elastizitätsmoduls unter
Druckbelastung (Sekantenmodul)

This European Standard was approved by CEN on 7 June 2021.

CEN members are bound to comply with the CEN/CENELEC Internal Regulations which stipulate the conditions for giving this European Standard the status of a national standard without any alteration. Up-to-date lists and bibliographical references concerning such national standards may be obtained on application to the CEN-CENELEC Management Centre or to any CEN member.

This European Standard exists in three official versions (English, French, German). A version in any other language made by translation under the responsibility of a CEN member into its own language and notified to the CEN-CENELEC Management Centre has the same status as the official versions.

CEN members are the national standards bodies of Austria, Belgium, Bulgaria, Croatia, Cyprus, Czech Republic, Denmark, Estonia, Finland, France, Germany, Greece, Hungary, Iceland, Ireland, Italy, Latvia, Lithuania, Luxembourg, Malta, Netherlands, Norway, Poland, Portugal, Republic of North Macedonia, Romania, Serbia, Slovakia, Slovenia, Spain, Sweden, Switzerland, Turkey and United Kingdom.



EUROPEAN COMMITTEE FOR STANDARDIZATION
COMITÉ EUROPÉEN DE NORMALISATION
EUROPÄISCHES KOMITEE FÜR NORMUNG

CEN-CENELEC Management Centre: Rue de la Science 23, B-1040 Brussels

Contents

	Page
European foreword	iii
1 Scope	5
2 Normative references	5
3 Terms, definitions, symbols and abbreviations	5
3.1 Terms and definitions	5
3.2 Symbols and abbreviations	6
4 Principle	7
5 Apparatus	7
5.1 Test machine	7
5.2 Instrumentation	7
5.3 Gauge length	8
6 Test specimens	8
6.1 Shape and dimensions of specimens	8
6.2 Curing, storage and conditioning	8
7 Method	8
7.1 Specimen instrumentation and positioning	8
7.2 Determination of compressive strength	9
7.3 Determination of secant modulus of elasticity	9
7.3.1 Method A – Determination of initial and stabilized secant modulus of elasticity	9
7.3.2 Method B – determination of stabilized secant modulus of elasticity	11
8 Calculation of secant modulus of elasticity	13
8.1 Initial secant modulus of elasticity (Method A)	13
8.2 Stabilized secant modulus of elasticity (Method A and B)	13
9 Test report	14
10 Precision	14
Bibliography	15

European foreword

This document ([EN 12390-13:2021](#)) has been prepared by Technical Committee CEN/TC 104 "Concrete and related products", the secretariat of which is held by SN.

This European Standard shall be given the status of a national standard, either by publication of an identical text or by endorsement, at the latest by January 2022, and conflicting national standards shall be withdrawn at the latest by January 2022.

Attention is drawn to the possibility that some of the elements of this document may be the subject of patent rights. CEN shall not be held responsible for identifying any or all such patent rights.

This document supersedes [EN 12390-13:2013](#).

The following amendments have been made in comparison to the former edition:

- upper limit of lower stress increased to prevent sample unloading when testing low strength concrete;
- change to the loading profile in Method B.

This document is based on an extensive investigation and comparison of existing National Standards: ASTM, BS, DIN, ISO, NORD TEST and UNI followed by the analysis of a test programme involving five laboratories carried out by UNI.

This document is one of a series on testing concrete.

[EN 12390](#) , *Testing hardened concrete*, consists of the following parts:

- *Part 1: Shape, dimensions and other requirements for specimens and moulds*
- *Part 2: Making and curing specimens for strength tests*
- *Part 3: Compressive strength of test specimens*
- *Part 4: Compressive strength – Specification for testing machines*
- *Part 5: Flexural strength of test specimens*
- *Part 6: Tensile splitting strength of test specimens*
- *Part 7: Density of hardened concrete*
- *Part 8: Depth of penetration of water under pressure*
- *Part 10: Determination of the carbonation resistance of concrete at atmospheric levels of carbon dioxide*
- *Part 11: Determination of the chloride resistance of concrete, unidirectional diffusion*
- *Part 12: Determination of the potential carbonation resistance of concrete: Accelerated carbonation method*
- *Part 13: Determination of secant modulus of elasticity in compression*
- *Part 14: Semi-adiabatic method for the determination of heat released by concrete during its hardening process*
- *Part 15: Adiabatic method for the determination of heat released by concrete during its hardening process*
- *Part 16: Determination of shrinkage of concrete*
- *Part 17: Determination of creep of concrete in compression*
- *Part 18: Determination of chloride migration coefficient (in preparation)*

Any feedback and questions on this document should be directed to the users' national standards body. A complete listing of these bodies can be found on the CEN website.

According to the CEN-CENELEC Internal Regulations, the national standards organisations of the following countries are bound to implement this European Standard: Austria, Belgium, Bulgaria, Croatia, Cyprus, Czech Republic, Denmark, Estonia, Finland, France, Germany, Greece, Hungary, Iceland, Ireland, Italy, Latvia, Lithuania, Luxembourg, Malta, Netherlands, Norway, Poland, Portugal, Republic of North Macedonia, Romania, Serbia, Slovakia, Slovenia, Spain, Sweden, Switzerland, Turkey and the United Kingdom.

<http://www.china-gauges.com/>

1 Scope

This document specifies the method for the determination of the secant modulus of elasticity in compression of hardened concrete on test specimens which can be cast or taken from a structure.

The test method allows the determination of two secant moduli of elasticity: the initial modulus, $E_{C,0}$ measured at first loading and the stabilized modulus, $E_{C,S}$ measured after three loading cycles.

Two different test methods are given. The first (Method A) is for determination of both initial and stabilized moduli, the second (Method B) is for determination of stabilized modulus only.

2 Normative references

The following documents are referred to in the text in such a way that some or all of their content constitutes requirements of this document. For dated references, only the edition cited applies. For undated references, the latest edition of the referenced document (including any amendments) applies.

[EN 12390-1](#), *Testing hardened concrete - Part 1: Shape, dimensions and other requirements for specimens and moulds*

[EN 12390-2](#), *Testing hardened concrete - Part 2: Making and curing specimens for strength tests*

[EN 12390-3](#), *Testing hardened concrete - Part 3: Compressive strength of test specimens*

[EN 12390-4](#), *Testing hardened concrete - Part 4: Compressive strength - Specification for testing machines*

[EN 12504-1](#), *Testing concrete in structures - Part 1: Cored specimens - Taking, examining and testing in compression*

[EN 12620](#), *Aggregates for concrete*

EN ISO 9513, *Metallic materials - Calibration of extensometer systems used in uniaxial testing (ISO 9513)*

3 Terms, definitions, symbols and abbreviations

3.1 Terms and definitions

For the purposes of this document, the following terms and definitions apply.

ISO and IEC maintain terminological databases for use in standardization at the following addresses:

- IEC Electropedia: available at <https://www.electropedia.org/>
- ISO Online browsing platform: available at <https://www.iso.org/obp>

3.1.1

initial secant modulus of elasticity

$E_{C,0}$

secant slope of the stress strain curve at first loading

3.1.2

stabilized secant modulus of elasticity

$E_{C,S}$

secant slope of the stress strain curve after three loading cycles

3.1.3

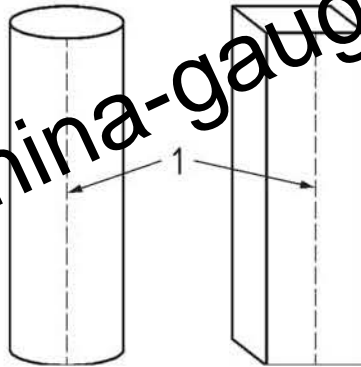
gauge length

base length

length used as reference base for strain measurement

3.1.4 measuring line

straight line laying on the lateral surface of the specimen and parallel to the vertical axis (see [Figure 1](#))



1 measuring line

Figure 1 — Measuring line on cylinder and prismatic specimens

3.2 Symbols and abbreviations

For the purposes of this document, the following symbols apply.

d Specimen diameter or width

D Upper sieve size (for definition of aggregates size, see [EN 12620](#))

D_{\max} Declared value of D of the coarsest fraction of aggregates actually used in the concrete

f_c Compressive strength of concrete determined by testing companion specimens – cylinders, prisms, cubes or cores – or estimated from non-destructive tests

$E_{C,0}$ Initial secant modulus of elasticity

$E_{C,S}$ Stabilized secant modulus of elasticity

ε Measured strain

ε_a Strain along each measuring line at upper stress

$\varepsilon_{a,n}$ Average strain at upper stress on loading cycle n

ε_b Strain along each measuring line at lower stress

$\varepsilon_{b,n}$ Average strain at lower stress on loading cycle n

$\Delta\varepsilon_s$ Strain difference during third loading cycle

$\Delta\varepsilon_0$ Strain difference during first loading cycle

L Specimen length

L_0 Initial gauge length of instrument

ΔL Change in measured length

σ_a Nominal upper stress = $f_c / 3$

σ_b	Nominal lower stress – arbitrary value between 10 % and 20 % σ_{fc}
σ_p	Nominal preload stress – arbitrary value between 0,5 MPa and σ_b
σ_a^m	Measured stress corresponding to nominal upper stress, σ_a
σ_b^m	Measured stress corresponding to nominal lower stress, σ_b
$\Delta\sigma$	Difference between measured stresses σ_a^m and σ_b^m

4 Principle

A test specimen is loaded under axial compression, the stresses and strains are recorded and the slope of the secant to the stress-strain curve is determined at first loading (Method A only) and after three loading cycles (Methods A and B).

The secant slope is known as the secant modulus of elasticity in compression.

The test specimens may be either cast or taken from an existing structure.

5 Apparatus

5.1 Test machine

Compression testing machine conforming to [EN 12390-4](#) with following additional requirements:

- suitable for execution of programmable loading cycles;
- able to increase and decrease the load at a constant rate within a given tolerance (see [7.3.1](#) and [7.3.2](#));
- able to maintain a constant load at selectable nominal values with a maximum variation within $\pm 5\%$;
- calibrated as Class 1 to [EN 12390-4](#) over the working range from the lower stress to the upper stress as defined in [7.3.1](#) and [7.3.2](#).

NOTE The test lends itself to the use of automatic control test machines. However, if manual control test machines can be shown to comply with b), c) and d) above, they can be used.

5.2 Instrumentation

Instrumentation measuring the strain of the specimen under axial compression along a measuring line shall be Class 2 as determined in accordance with EN ISO 9513 in the range from 0 $\mu\text{m}/\text{m}$ to 1 000 $\mu\text{m}/\text{m}$.

The instrumentation can measure strain directly (e.g. resistive strain gauges) or take the form of measuring length change from which the strain, ε , is calculated with [Formula \(1\)](#).

$$\varepsilon = \frac{\Delta L}{L_0} \quad (1)$$

5.3 Gauge length

The gauge length of the strain measuring instrument L_0 shall be between two-thirds of the specimen diameter (or section width) and one-half of the specimen length, and not less than $3D_{\max}$.

NOTE For specimens where L/d is between 3,5 and 4,0, the gauge length can be increased to up to 2/3 of the specimen length.

6 Test specimens

6.1 Shape and dimensions of specimens

The test specimens shall be moulded (cylinder or prism) or drilled cores complying with the requirements of [EN 12390-1](#) or [EN 12504-1](#). The dimension d (diameter or width) shall be at least $3D_{\max}$. The ratio between the specimen length L and the dimension d shall be in the range $2 \leq L/d \leq 4$.

The recommended test specimen shall be cylinders of diameter 150 mm and height 300 mm (reference specimen). Alternatively, other test specimens generally complying with the requirements of [EN 12390-1](#) may be used, provided that the specimen complies with the dimensions and aggregate size to diameter or width stated above. In the case of specimens drilled or cut from a structure, this requirement sometimes cannot be fulfilled; in such cases, this shall be stated in the test report.

NOTE The size of the test specimen can have an influence on the result.

If relevant, the adjustment of test specimen shall comply with [EN 12390-3](#).

Companion specimens should be available for the determination of compressive strength as described in [7.2](#) and shall be made from the same batch of concrete in the case of cast specimens, or shall be drilled from the same zone in the case of drilled specimens.

6.2 Curing, storage and conditioning

Moulded specimens shall be cured or stored in accordance with [EN 12390-2](#), cored specimen in accordance with [EN 12504-1](#). Before testing, they shall be maintained at (20 ± 2) °C for sufficient time for strain measuring instruments to be securely fixed but not longer than 24 h out of water. During the time out of water, precautions shall be taken to ensure the specimen remains moist.

If alternative storage conditions are specified in provisions valid in the place of use, these need to be considered for storing and conditioning.

7 Method

7.1 Specimen instrumentation and positioning

The strain measuring instruments shall be positioned in such a way that the measuring base is at equivalent distance from the end faces of the specimen.

At least two strain measuring instruments shall be symmetrically arranged with respect to the central axis of the specimen.

The specimen shall be centred on the lower platen.

It is recommended that in order to have adequate information on centering of cylinder specimens, at least three measurement lines are required.

7.2 Determination of compressive strength

The compressive strength of concrete f_c shall be determined in accordance with [EN 12390-3](#) on companion specimen(s) preferably having the same size and shape of those specimens used for secant modulus of elasticity determination.

If alternative curing conditions are specified in provisions valid in the place of use, companion specimen(s) for the determination of compressive strength shall be stored under the same conditions as specified in [6.2](#).

If the companion specimens are not of the same size and shape as the specimen used for the determination of secant modulus of elasticity, the difference in compressive strength obtained from specimens of different shape and sizes shall be taken into account.

The compressive strength (measured or estimated), f_c is used to define the stress levels of the test cycle for the determination of secant modulus of elasticity.

If companion test specimens for the determination of compressive strength are not available, the compressive strength may be estimated from non-destructive tests or by national provisions valid in the place of use of the concrete. Details of the test method and results from the non-destructive method adopted shall be indicated in the test report.

7.3 Determination of secant modulus of elasticity

7.3.1 Method A – Determination of initial and stabilized secant modulus of elasticity

7.3.1.1 Preloading cycles

Three preloading cycles are carried out in order to check the wiring stability (first check) and specimen positioning (second check).

Place the test specimen, with the measuring instruments attached axially, centrally in the testing machine.

For the first loading cycle, apply stress to the specimen at a rate of $(0,6 \pm 0,2)$ MPa/s up to the lower stress σ_b . Hold the lower stress within $\pm 5\%$ of the nominal value for a period as short as possible but not exceeding 20 s. Record the lower stress. Reduce the stress at a rate of $(0,6 \pm 0,2)$ MPa/s down to the preload stress σ_p . Hold the preload stress for a period as short as possible but not exceeding 20 s. At the end of this period, zero the strain measuring instruments.

Repeat the loading cycles above for a further two times, i.e. cycles two and three. At the end of each of the second and third cycles at the lower stress level, record the strain ε_b along each measuring line.

After the three cycles, maintain the preload stress within $\pm 5\%$ of the nominal value and perform the following consecutive checks within 60 s.

First check

On each measuring line, the variation of ε_b from the second cycle to the third cycle shall not be greater than 10 %.

If the strain difference is greater than 10 %, stop the test; adjust the measuring instruments and restart. If it is not possible to reduce the difference below 10 % after re-starting, the test shall be stopped.

Second check

The strains ε_b at the third cycle on all the measuring lines shall not differ from their average by more than 20 %.

If the limit is not achieved, re-centre the specimen and restart the test. If it is not possible to reduce the difference below 20 %, the test shall be stopped and the specimen rejected.

7.3.1.2 Loading cycles

Increase the stress at a rate of $(0,6 \pm 0,2)$ MPa/s from the preload stress to the lower stress. Hold the lower stress within $\pm 5\%$ of the nominal value for a period as short as possible but not exceeding 20 s. At the end of this period, record the strain along each measuring line and calculate the average strain $\varepsilon_{b,0}$ at this stress level.

Three loading cycles are carried out.

For each cycle, increase the stress applied to the specimen at a rate of $(0,6 \pm 0,2)$ MPa/s until the upper stress, σ_a , is reached. Hold the upper stress within $\pm 5\%$ of the nominal value for a period as short as possible but not exceeding 20 s. For cycles one and two, reduce the stress at a rate of $(0,6 \pm 0,2)$ MPa/s to the lower stress. Hold the lower stress within $\pm 5\%$ of the nominal value for a period as short as possible but not exceeding 20 s.

At the end of the upper stress phase of the first and third cycles and when the load is stable, record the corresponding strains along each measuring line and calculate the average strains, $\varepsilon_{a,1}$ and $\varepsilon_{a,3}$, at these stress levels.

At the end of the lower stress phase of the second cycle and when the load is stable, record the strain along each measuring line and calculate the average strain $\varepsilon_{b,2}$ at this stress level.

The measured value of the lower stress σ_b^m shall be recorded.

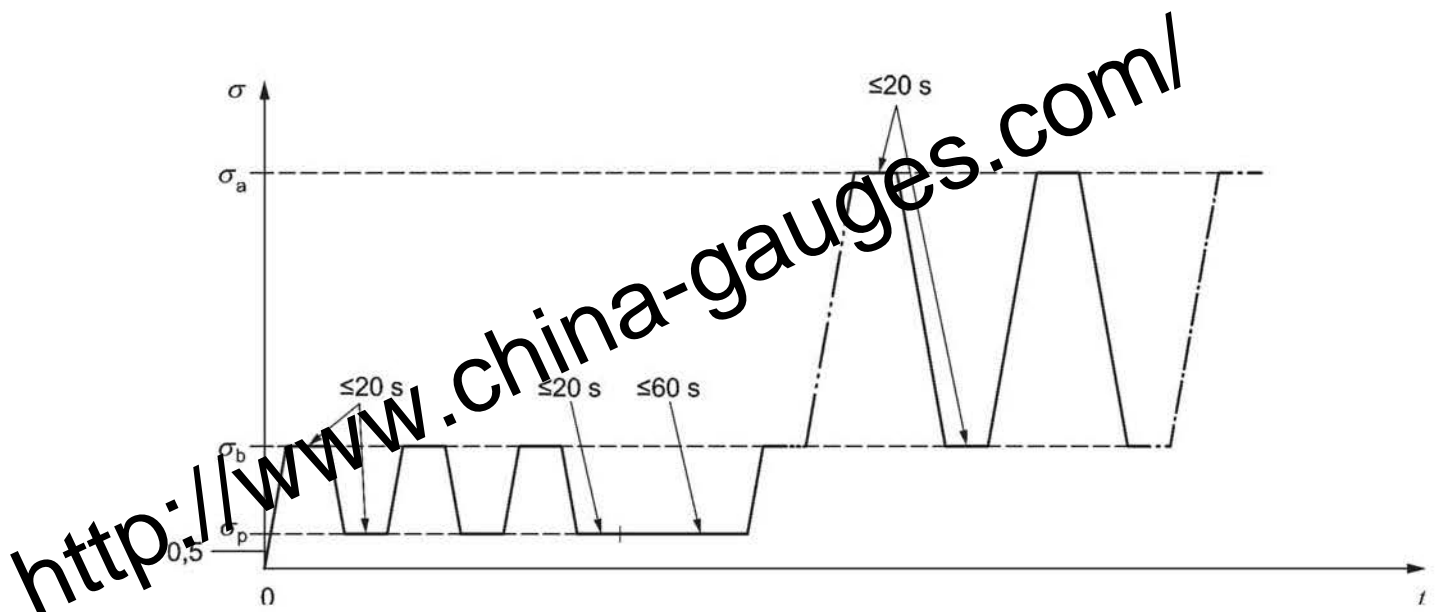
The measured value of the upper stress σ_a^m shall be recorded.

When all measurements are completed at the upper stress level of the third loading cycle, the compressive strength of the specimen shall be determined in accordance with the loading procedure given in [EN 12390-3](#). Record the compressive strength to the nearest 0,1 MPa.

In order to prevent permanent damage to the measuring gauges, it may be desirable to remove them from the specimen before the load is increased to failure. This should be performed safely.

If the measured compressive strength differs from f_c by more than 20 %, it shall be noted in the test report.

The test cycle for the determination of elastic modulus is given in [Figure 2](#).



Key

- loading cycle
- loading cycle for the determination of initial secant modulus of elasticity – Method A
- loading cycle for the determination of stabilized secant modulus of elasticity – Method A
- σ applied stress in MPa
- σ_a upper stress – $f_c / 3$
- σ_b lower stress – $0,10 \times f_c \leq \sigma_b \leq 0,20 \times f_c$
- σ_p preload stress – $0,5 \text{ MPa} \leq \sigma_p \leq \sigma_b$
- t time in s

Figure 2 — Cycle for the determination of initial and stabilized secant modulus of elasticity (Method A)

7.3.2 Method B – determination of stabilized secant modulus of elasticity

Three loading cycles are carried out. The specimen positioning (first check) and wiring stability check (second check) are carried out at the end of the second and third cycles. The stabilized secant modulus of elasticity is determined on the third cycle.

Place the test specimen, with the measuring instruments attached axially, centrally in the testing machine. Apply the preload stress σ_p . Hold the preload stress for a period as short as possible but not exceeding 20 s. At the end of this period, zero the strain measuring instruments.

First cycle

Increase the stress applied to the specimen at a rate of $(0,6 \pm 0,2)$ MPa/s from the preload stress to the upper stress σ_a . Hold the upper stress within $\pm 5\%$ of the nominal value for a period as short as possible but not exceeding 20 s. At the end of this period, record the strain along each measuring line and calculate the average strain, $\epsilon_{a,1}$.

Reduce the stress at a rate of $(0,6 \pm 0,2)$ MPa/s down to the lower stress. Hold the lower stress for a period as short as possible but not exceeding 20 s. At the end of this period, record the strain along each measuring line and calculate the average strain, $\epsilon_{b,1}$.

Second cycle

Increase the stress at a rate of $(0,6 \pm 0,2)$ MPa/s from the lower stress to the upper stress. Hold the upper stress within $\pm 5\%$ of the nominal value for a period as short as possible but not exceeding 20 s. At the end of this period, record the strain along each measuring line and calculate the average strain, $\epsilon_{a,2}$.

Reduce the stress at a rate of $(0,6 \pm 0,2)$ MPa/s down to the lower stress. Hold the lower stress for a period as short as possible but not exceeding 20 s. At the end of this period record the strain along each measuring line and calculate the average strain, $\varepsilon_{b,2}$.

First check

On the second cycle, the strain ε_a on each measuring line shall not differ from the average $\varepsilon_{a,1}$ by more than 20 %.

If the limit is not achieved, re-centre the specimen and restart the test. If it is not possible to reduce the difference below 20 %, the test shall be stopped and the specimen rejected.

Third cycle

Increase the stress at a rate of $(0,6 \pm 0,2)$ MPa/s from the lower stress to the upper stress. Hold the upper stress within ± 5 % of the nominal value for a period as short as possible but not exceeding 20 s. At the end of this period, record the strain along each measuring line and calculate the average strain, $\varepsilon_{a,3}$.

Second check

On each measuring line the variation of ε_a from the second to the third cycle shall not be greater than 10 %.

If the strain difference is greater than 10 %, stop the test; adjust the measuring instruments and restart. If it is not possible to reduce the difference below 10 % after re-starting, the difference shall be included in the test report.

The measured value of the lower stress σ_b^m shall be recorded.

The measured value of the upper stress σ_a^m shall be recorded.

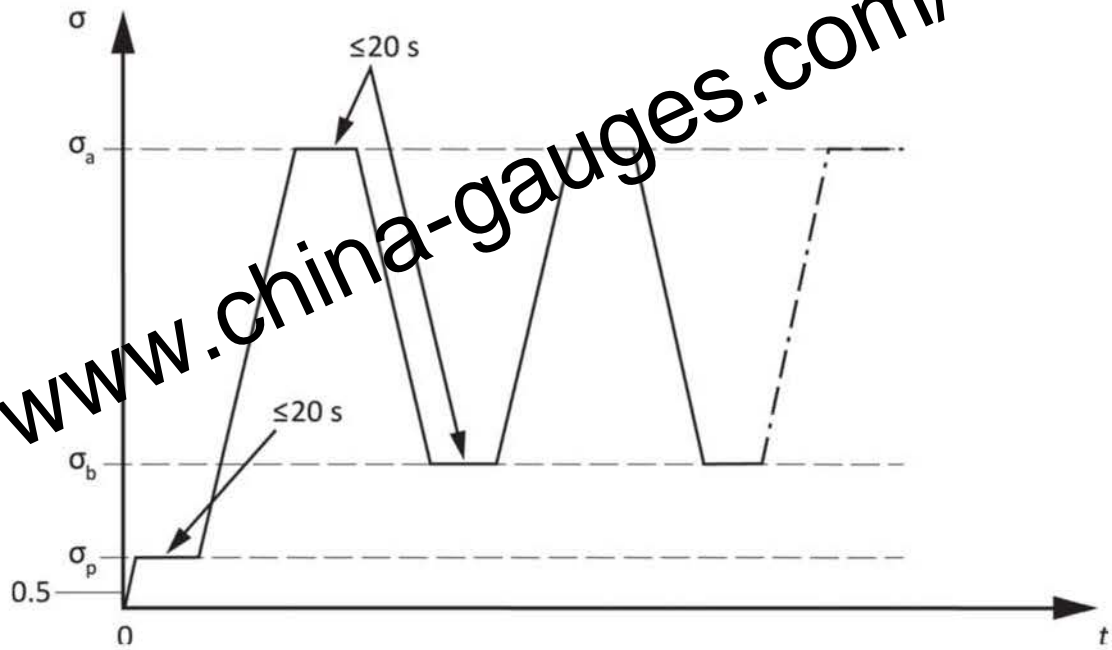
After all measurements are completed at the upper stress level, the compressive strength of the specimen shall be determined in accordance with the loading procedure given in [EN 12390-3](#). Record the compressive strength to the nearest 0,1 MPa.

In order to prevent permanent damage to the measuring gauges, it may be desirable to remove them from the specimen before the load is increased to failure. This should be performed safely.

If the measured compressive strength differs from f_c by more than 20 %, it shall be noted in the test report.

The test cycle for the determination of elastic modulus is given in [Figure 3](#).

<http://www.china-gauges.com/>



Key

- loading cycle
- · — loading cycle for the determination of stabilized secant modulus of elasticity – Method B
- σ applied stress in MPa
- σ_a upper stress – $f_c / 3$
- σ_b lower stress – $0,10 \times f_c \leq \sigma_b \leq 0,20 \times f_c$
- σ_p preload stress – $0,5 \text{ MPa} \leq \sigma_p \leq \sigma_b$
- t time in s

Figure 3 — Cycle for the determination of stabilized secant modulus of elasticity (Method B)

8 Calculation of secant modulus of elasticity

8.1 Initial secant modulus of elasticity (Method A)

The initial secant modulus of elasticity $E_{C,0}$ is defined in [Formula \(2\)](#).

$$E_{C,0} = \frac{\Delta\sigma}{\Delta\varepsilon_0} = \frac{\sigma_a^m - \sigma_b^m}{\varepsilon_{a,1} - \varepsilon_{b,0}} \quad (2)$$

8.2 Stabilized secant modulus of elasticity (Method A and B)

The stabilized secant modulus of elasticity $E_{C,S}$ is defined in [Formula \(3\)](#).

$$E_{C,S} = \frac{\Delta\sigma}{\Delta\varepsilon_S} = \frac{\sigma_a^m - \sigma_b^m}{\varepsilon_{a,3} - \varepsilon_{b,2}} \quad (3)$$

NOTE 1 The degree of variation of the secant modulus of elasticity from $E_{C,0}$ to $E_{C,S}$ (Method A) can be an indication of the material susceptibility to stress-induced micro-cracking or micro-cracking caused by drilling in the case of cores taken from a structure.

NOTE 2 The calculation can be based on the linear regression between a and b on the best fit curve of the measured stress and strain on the last loading cycle.

9 Test report

The report shall include:

- a) a reference to this document, including its year of publication;
- b) description and identification of the test specimen;
- c) age of specimen at time of test (if available);
- d) shape, designated dimension and actual dimension of specimen;
- e) curing and storage conditions;
- f) condition of the specimen when received and any surface treatment;
- g) temperature, humidity (if available) and duration of the pre-conditioning period of the specimen before testing;
- h) type of adjustment of specimen ends;
- i) date of test;
- j) type and number of measuring instruments including base or gauge length;
- k) compressive strengths of companion specimens to the nearest 0,1 MPa (N/mm²) or estimated from non-destructive testing;
- l) compressive strength of the specimen used for secant modulus of elasticity test to the nearest 0,1 MPa (N/mm²) if measured;
- m) method used to determine secant modulus of elasticity (A or B);
- n) strain difference from second check if exceeding the specified value;
- o) initial secant modulus of elasticity $E_{C,0}$ obtained from [Formula \(2\)](#) (Method A only) to the nearest 0,1 GPa (100 N/mm²);
- p) stabilized secant modulus of elasticity $E_{C,S}$ obtained from [Formula \(3\)](#) to the nearest 0,1 GPa (100 N/mm²);
- q) any deviations from the standard method of testing;
- r) a declaration by the person responsible for the test that it has been carried out in accordance with this document except as detailed in item q).

The report may include:

- s) mass of the specimen, in kg;
- t) apparent density of specimen, to the nearest 10 kg/m³;
- u) if cores are used for the test, include sampling and testing information as indicated in [EN 12504-1](#).

10 Precision

There is currently no precision data for this test.

Bibliography

- [1] [EN 12350-1](#), *Testing fresh concrete - Part 1: Sampling and common apparatus*

<http://www.china-gauges.com/>

British Standards Institution (BSI)

BSI is the national body responsible for preparing British Standards and other standards-related publications, information and services.

BSI is incorporated by Royal Charter. British Standards and other standardization products are published by BSI Standards Limited.

About us

We bring together business, industry, government, consumers, innovators and others to shape their combined experience and expertise into standards based solutions.

The knowledge embodied in our standards has been carefully assembled in a dependable format and refined through our open consultation process. Organizations of all sizes and across all sectors choose standards to help them achieve their goals.

Information on standards

We can provide you with the knowledge that your organization needs to succeed. Find out more about British Standards by visiting our website at bsigroup.com/standards or contacting our Customer Services team or Knowledge Centre.

Buying standards

You can buy and download PDF versions of BSI publications, including British and adopted European and international standards, through our website at bsigroup.com/shop, where hard copies can also be purchased.

If you need international and foreign standards from other Standards Development Organizations, hard copies can be ordered from our Customer Services team.

Copyright in BSI publications

All the content in BSI publications, including British Standards, is the property of and copyrighted by BSI or some person or entity that owns copyright in the information used (such as the international standardization bodies) and has formally licensed such information to BSI for commercial publication and use.

Save for the provisions below, you may not transfer, share or disseminate any portion of the standard to any other person. You may not adapt, distribute, commercially exploit or publicly display the standard or any portion thereof in any manner whatsoever without BSI's prior written consent.

Storing and using standards

Standards purchased in soft copy format:

- A British Standard purchased in soft copy format is licensed to a sole named user for personal or internal company use only.
- The standard may be stored on more than one device provided that it is accessible by the sole named user only and that only one copy is accessed at any one time.
- A single paper copy may be printed for personal or internal company use only.

Standards purchased in hard copy format:

- A British Standard purchased in hard copy format is for personal or internal company use only.
- It may not be further reproduced – in any format – to create an additional copy. This includes scanning of the document.

If you need more than one copy of the document, or if you wish to share the document on an internal network, you can save money by choosing a subscription product (see 'Subscriptions').

Reproducing extracts

For permission to reproduce content from BSI publications contact the BSI Copyright and Licensing team.

Subscriptions

Our range of subscription services are designed to make using standards easier for you. For further information on our subscription products go to bsigroup.com/subscriptions.

With **British Standards Online (BSOL)** you'll have instant access to over 55,000 British and adopted European and international standards from your desktop. It's available 24/7 and is refreshed daily so you'll always be up to date.

You can keep in touch with standards developments and receive substantial discounts on the purchase price of standards, both in single copy and subscription format, by becoming a **BSI Subscribing Member**.

PLUS is an updating service exclusive to BSI Subscribing Members. You will automatically receive the latest hard copy of your standards when they're revised or replaced.

To find out more about becoming a BSI Subscribing Member and the benefits of membership, please visit bsigroup.com/shop.

With a **Multi-User Network Licence (MUNL)** you are able to host standards publications on your intranet. Licences can cover as few or as many users as you wish. With updates supplied as soon as they're available, you can be sure your documentation is current. For further information, email cservices@bsigroup.com.

Revisions

Our British Standards and other publications are updated by amendment or revision.

We continually improve the quality of our products and services to benefit your business. If you find an inaccuracy or ambiguity within a British Standard or other BSI publication please inform the Knowledge Centre.

Useful Contacts

Customer Services

Tel: +44 345 086 9001

Email: cservices@bsigroup.com

Subscriptions

Tel: +44 345 086 9001

Email: subscriptions@bsigroup.com

Knowledge Centre

Tel: +44 20 8996 7004

Email: knowledgecentre@bsigroup.com

Copyright & Licensing

Tel: +44 20 8996 7070

Email: copyright@bsigroup.com

BSI Group Headquarters

389 Chiswick High Road London W4 4AL UK