

BS EN 60335-2-6:2015



BSI Standards Publication

Household and similar electrical appliances — Safety

Part 2-6. Particular requirements for
stationary cooking ranges, hobs, ovens
and similar appliances

bsi.

...making excellence a habit.™

National foreword

This British Standard is the UK implementation of EN 60335-2-6:2015. It is derived from IEC 60335-2-6:2014. It supersedes BS EN 60335-2-6:2003+A13:2013 which will be withdrawn on 9 February 2018.

The CENELEC common modifications have been implemented at the appropriate places in the text. The start and finish of each common modification is indicated in the text by tags \square \square .

The UK participation in its preparation was entrusted by Technical Committee CPL/61, Safety of household and similar electrical appliances, to Subcommittee CPL/61/7, Safety of electrical appliances - Heated appliance group.

A list of organizations represented on this subcommittee can be obtained on request to its secretary.

This publication does not purport to include all the necessary provisions of a contract. Users are responsible for its correct application.

© The British Standards Institution 2015
Published by BSI Standards Limited 2015

ISBN 978 0 80 82172 1

ICS 97.04.20

Compliance with a British Standard cannot confer immunity from legal obligations.

This British Standard was published under the authority of the Standards Policy and Strategy Committee on 30 June 2015.

Amendments/corrigenda issued since publication

Date	Text affected
------	---------------

EUROPEAN STANDARD

EN 60335-2-6

NORME EUROPÉENNE

EUROPÄISCHE NORM

April 2015

ICS 13.120; 97.040.20

English Version

Household and similar electrical appliances - Safety - Part 2-6:
Particular requirements for stationary cooking ranges, hobs,
ovens and similar appliances
(IEC 60335-2-6:2014, modified)

Appareils électrodomestiques et analogues - Sécurité -
Partie 2-6: Exigences particulières pour les cuisinières, les
tables de cuisson, les fours et les appareils fixes analogues
(IEC 60335-2-6:2014, modifiée)

Sicherheit elektrischer Geräte für den Hausgebrauch und
ähnliche Zwecke - Teil 2-6: Besondere Anforderungen für
ortsfeste Herde, Kochmulden, Backöfen und ähnliche
Geräte
(IEC 60335-2-6:2014, modifiziert)

This European Standard was approved by CENELEC on 2015-02-09. CENELEC members are bound to comply with the CEN/CENELEC Internal Regulations which stipulate the conditions for giving this European Standard the status of a national standard without any alteration.

Up-to-date lists and bibliographical references concerning such national standards may be obtained on application to the CEN-CENELEC Management Centre or to any CENELEC member.

This European Standard exists in three official versions (English, French, German). A version in any other language made by translation under the responsibility of a CENELEC member into its own language and notified to the CEN-CENELEC Management Centre has the same status as the official versions.

CENELEC members are the national electrotechnical committees of Austria, Belgium, Bulgaria, Croatia, Cyprus, the Czech Republic, Denmark, Estonia, Finland, Former Yugoslav Republic of Macedonia, France, Germany, Greece, Hungary, Iceland, Ireland, Italy, Latvia, Lithuania, Luxembourg, Malta, the Netherlands, Norway, Poland, Portugal, Romania, Slovakia, Slovenia, Spain, Sweden, Switzerland, Turkey and the United Kingdom.



European Committee for Electrotechnical Standardization
Comité Européen de Normalisation Electrotechnique
Europäisches Komitee für Elektrotechnische Normung

CEN-CENELEC Management Centre: Avenue Marnix 17, B-1000 Brussels

Foreword

This document (EN 60335-2-6:2015) consists of the text of IEC 60335-2-6:2014 prepared by IEC/TC 61 "Safety of household and similar electrical appliances", together with the common modifications prepared by CLC/TC 61 "Safety of household and similar electrical appliances".

The following dates are fixed:

- latest date by which the document has to be implemented at national level by publication of an identical national standard or by endorsement (dop) 2016-02-09
- latest date by which the national standards conflicting with the document have to be withdrawn (dow) 2018-02-09

This document supersedes EN 60335-2-6:2003.

EN 60335-2-6:2015 includes the following significant technical changes with respect to EN 60335-2-6:2003:

- introduction of requirements for steam ovens;
- introduction of requirements for ovens intended for use on ships;
- clarified requirements for oven shelves construction and test;
- introduction of optional values for the accessible surface temperatures of ovens;
- introduction of stabilising means including warnings;
- clarified representative periods for various appliances (Clause 10);
- introduction of a spillage test for built-in under-bench ovens.

Attention is drawn to the possibility that some of the elements of this document may be the subject of patent rights. CENELEC [and/or CEN] shall not be held responsible for identifying any or all such patent rights.

Clauses, subclauses, notes, tables, figures and annexes which are additional to those in IEC 60335-2-6:2014 are prefixed "Z".

This part 2 is to be used in conjunction with EN 60335-1:2012 and its amendments.

NOTE 1 When "Part 1" is mentioned in this standard, it refers to EN 60335-1.

This part 2 supplements or modifies the corresponding clauses in EN 60335-1, so as to convert that publication into the European standard: Safety requirements for stationary electric cooking ranges, hobs, ovens and similar appliances.

When a particular subclause of Part 1 is not mentioned in this part 2, that subclause applies as far as is reasonable. When this standard states "addition", "modification" or "replacement", the relevant text in Part 1 is to be adapted accordingly.

NOTE 2 The following numbering system is used:

- subclauses, tables and figures that are numbered starting from 101 are additional to those in Part 1;
- unless notes are in a new subclause or involve notes in Part 1, they are numbered starting from 101, including those in a replaced clause or subclause;

– additional annexes are lettered AA, BB, etc.

NOTE 3 The following print types are used:

– requirements: in roman type;

– *test specifications: in italic type;*

– notes: in small roman type.

Words in **bold** in the text are defined in Clause 3. When a definition concerns an adjective, the adjective and its associated noun are also in bold.

This standard covers the Principle Elements of the Safety Objectives for Medical Equipment Designed for Use within Certain Voltage Limits (LVD - 2006/95/EC).

Endorsement notice

The text of the International Standard IEC 60335-2-6:2014 was approved by CENELEC as a European Standard with agreed common modifications.

The bibliography of EN 60335-1:2012 is applicable with the following additions :

IEC 60335-2-9	NOTE	Harmonised as EN 60335-2-9.
IEC 60335-2-25	NOTE	Harmonised as EN 60335-2-25.

www.china-gauges.com

Annex ZA
(normative)
**Normative references to international publications
with their corresponding European publications**

The following documents, in whole or in part, are normatively referenced in this document and are indispensable for its application. For dated references, only the edition cited applies. For undated references, the latest edition of the referenced document (including any amendments) applies.

NOTE 1 When an International Publication has been modified by common modifications, indicated by (mod), the relevant EN/HD applies.

NOTE 2 Up-to-date information on the latest versions of the European Standards listed in this annex is available here: www.cenelec.eu.

<u>Publication</u>	<u>Year</u>	<u>Title</u>	<u>EN/HD</u>	<u>Year</u>
--------------------	-------------	--------------	--------------	-------------

Annex ZA of EN 60335-1:2012 is applicable except as follows:

Add:

IEC 60068-2-6	2007	Environmental testing -- Part 2-6: Tests -- Test Fc: Vibration (sinusoidal)	EN 60068-2-6	2008
IEC 60068-2-27	2008	Environmental testing -- Part 2-27: Tests - Test Ea and guidance: Shock	EN 60068-2-27	2009
IEC 60068-2-52	1996	Environmental testing -- Part 2-52: Tests - Test Kb: Salt mist, cyclic (sodium chloride solution)	EN 60068-2-52	1996
IEC 60584-1	-	Thermocouples -- Part 1: EMF specifications and tolerances	EN 60584-1	-

Annex ZB
(normative)

Special national conditions

Special national condition: National characteristic or practice that cannot be changed even over a long period, e.g. climatic conditions, electrical earthing conditions.

NOTE If it affects harmonization, it forms part of the European Standard.

For the countries in which the relevant special national conditions apply these provisions are normative, for other countries they are informative.

Country	Clause	Special national condition
FI	22.2	Connection to a mains supply and maintenance work on a cooker are allowed to be carried out only by an authorized person. Therefore, the requirement of Subclause 22.2 is also to be considered to be fulfilled if a cooker is protected with fuses or with a miniature circuit breaker in the installation and exclusively intended for the protection of a cooker.

www.china-gauges.com

CONTENTS

FOREWORD.....	16
INTRODUCTION.....	17
1 Scope.....	17
2 Normative references	15
3 Terms and definitions.....	15
4 General requirement.....	19
5 General conditions for the tests	19
6 Classification.....	20
7 Marking and instructions.....	20
8 Protection against access to live parts	25
9 Starting of motor-operated appliances.....	25
10 Power input and current.....	25
11 Heating	26
12 Void.....	31
13 Leakage current and electric strength at operating temperature.....	31
14 Transient overvoltage.....	32
15 Moisture resistance	32
16 Leakage current and electric strength	33
17 Overload protection of transformers and associated circuits	34
18 Endurance.....	34
19 Abnormal operation	34
20 Stalling and mechanical hazards.....	36
21 Mechanical strength	37
22 Construction	39
23 Internal wiring.....	47
24 Components	47
25 Supply connection and external flexible cords	48
26 Terminals for external conductors	48
27 Provision for earthing.....	49
28 Screws and connections	49
29 Clearances, creepage distances and solid insulation.....	49
30 Resistance to heat and fire	49
31 Resistance to rusting	49
32 Radiation, toxicity and similar hazards	50
Annexes	54
Annex R (normative) Software evaluation	54
Bibliography.....	55
Figure 101 – Vessel for testing hob elements	51
Figure 102 – Vessel for testing induction hob elements.....	51

Figure 103 – Load for testing rotating spits..... 52

Figure 104 – Probe for measuring surface temperatures..... 53

Figure 105 – Arrangement of work surface for spillage test on built-in ovens..... 53

Table 101 – Quantity of liquid in the vessel..... 16

Table 102 [C] Void [C] 20

Table 103 – Temperature rise limits for accessible surfaces [C] *Text deleted* [C] 30

Table 104 [C] Void [C] 30

Table 105 – Test loads 38

www.china-gauges.com

INTERNATIONAL ELECTROTECHNICAL COMMISSION

HOUSEHOLD AND SIMILAR ELECTRICAL APPLIANCES – SAFETY –

Part 2-6: Particular requirements for stationary cooking ranges, hobs, ovens and similar appliances

FOREWORD

- 1) The International Electrotechnical Commission (IEC) is a worldwide organization for standardization comprising all national electrotechnical committees (IEC National Committees). The object of IEC is to promote international co-operation on all questions concerning standardization in the electrical and electronic fields. To this end and in addition to other activities, IEC publishes International Standards, Technical Specifications, Technical Reports, Publicly Available Specifications (PAS) and Guides (hereafter referred to as "IEC Publication(s)"). Their preparation is entrusted to technical committees; any IEC National Committee interested in the subject dealt with may participate in this preparatory work. International, governmental and non-governmental organizations liaising with the IEC also participate in this preparation. IEC collaborates closely with the International Organization for Standardization (ISO) in accordance with conditions determined by agreement between the two organizations.
- 2) The formal decisions or agreements of IEC on technical matters express, as nearly as possible, an international consensus of opinion on the relevant subjects since each technical committee has representation from all interested IEC National Committees.
- 3) IEC Publications have the form of recommendations for international use and are accepted by IEC National Committees in that sense. While all reasonable efforts are made to ensure that the technical content of IEC Publications is accurate, IEC cannot be held responsible for the way in which they are used or for any misinterpretation by any end user.
- 4) In order to promote international uniformity, IEC National Committees undertake to apply IEC Publications transparently to the maximum extent possible in their national and regional publications. Any divergence between any IEC Publication and the corresponding national or regional publication shall be clearly indicated in the latter.
- 5) IEC itself does not provide any attestation of conformity. Independent certification bodies provide conformity assessment services and, in some areas, access to IEC marks of conformity. IEC is not responsible for any services carried out by independent certification bodies.
- 6) Users should ensure that they have the latest edition of this publication.

No liability shall attach to IEC or its directors, employees, servants or agents including individual experts and members of its technical committees and IEC National Committees for any personal injury, property damage or other damage of any nature whatsoever, whether direct or indirect, or for costs (including legal fees) and expenses arising out of the publication, use of, or reliance upon, this IEC Publication or any other IEC Publications.

- 8) Attention is drawn to the Normative references cited in this publication. Use of the referenced publications is indispensable for the correct application of this publication.
- 9) Attention is drawn to the possibility that some of the elements of this IEC Publication may be the subject of patent rights. IEC shall not be held responsible for identifying any or all such patent rights.

This part of International Standard IEC 60335 has been prepared by IEC technical committee 61: Safety of household and similar electrical appliances.

This sixth edition cancels and replaces the fifth edition published in 2002 including its Amendment 1 (2004) and its Amendment 2 (2008). It constitutes a technical revision.

The principal changes in this edition as compared with the fifth edition of IEC 60335-2-6 are as follows (minor changes are not listed):

- introduction of requirements for steam ovens;
- introduction of requirements for ovens intended for use on ships;
- clarified requirements for oven shelf construction and test;
- introduction of optional values for the accessible surface temperatures of ovens;

- introduction of stabilising means including warnings;
- clarified representative periods for various appliances (Clause 10);
- introduction of a spillage test for built-in under-bench ovens.

The text of this standard is based on the following documents:

FDIS	Report on voting
61/4668/FDIS	61/4708/RVD

Full information on the voting for the approval of this standard can be found in the report on voting indicated in the above table.

This publication has been drafted in accordance with the ISO/IEC Directives, Part 2.

This part 2 is to be used in conjunction with the latest edition of IEC 60335-1 and its amendments. It was established on the basis of the fifth edition (2010) of that standard.

NOTE 1 When "Part 1" is mentioned in this standard, it refers to IEC 60335-1.

This part 2 supplements or modifies the corresponding clauses in IEC 60335-1, so as to convert that publication into the IEC standard: Safety requirements for stationary electric cooking ranges, hobs, ovens and similar appliances.

When a particular subclause of Part 1 is not mentioned in this part 2, that subclause applies as far as is reasonable. When this standard states "addition", "modification" or "replacement", the relevant text in Part 1 is to be adapted accordingly.

NOTE 2 The following numbering system is used:

- subclauses, tables and figures that are numbered starting from 101 are additional to those in Part 1;
- unless noted, notes are in a new subclause or involve notes in Part 1, they are numbered starting from 101, including those in the replaced clause or subclause;
- additional annexes are lettered AA, BB, etc.

NOTE 3 The following print types are used:

- requirements: in roman type;
- test specifications: in italic type;
- notes: in small roman type.

Words in **bold** in the text are defined in Clause 3. When a definition concerns an adjective, the adjective and the associated noun are also in bold.

The committee has decided that the contents of this publication will remain unchanged until the stability date indicated on the IEC web site under "<http://webstore.iec.ch>" in the data related to the specific publication. At this date, the publication will be

- reconfirmed,
- withdrawn,
- replaced by a revised edition, or
- amended.

NOTE 4 The attention of National Committees is drawn to the fact that equipment manufacturers and testing organizations may need a transitional period following publication of a new, amended or revised IEC publication in which to make products in accordance with the new requirements and to equip themselves for conducting new or revised tests.

It is the recommendation of the committee that the content of this publication be adopted for implementation nationally not earlier than 12 months or later than 36 months from the date of publication.

A list of all parts of the IEC 60335 series, under the general title: *Household and similar electrical appliances – Safety*, can be found on the IEC web site.

The following differences exist in the countries indicated below.

- 6.1: **Class 0I appliances** are allowed (Japan).
- 7.12: The minimum indicated water pressure is 1 MPa (Norway).
- 24.101: Socket-outlets have to be provided with residual current devices which may be combined with the overcurrent protective device (Australia).
- 25.3: **Cooking ranges** that are not built-in shall not be permanently connected to the fixed wiring (New Zealand).

INTRODUCTION

It has been assumed in the drafting of this International Standard that the execution of its provisions is entrusted to appropriately qualified and experienced persons.

This standard recognizes the internationally accepted level of protection against hazards such as electrical, mechanical, thermal, fire and radiation of appliances when operated as in normal use taking into account the manufacturer's instructions. It also covers abnormal situations that can be expected in practice and takes into account the way in which electromagnetic phenomena can affect the safe operation of appliances.

This standard takes into account the requirements of IEC 60364 as far as possible so that there is compatibility with the wiring rules when the appliance is connected to the supply mains. However, national wiring rules may differ.

If an appliance within the scope of this standard also incorporates functions that are covered by another part 2 of IEC 60335, the relevant part 2 is applied to each function separately, as far as is reasonable. If applicable, the influence of one function on the other is taken into account.

When a part 2 standard does not include additional requirements to cover hazards dealt with in Part 1, Part 1 applies.

NOTE 1 This means that the technical committees responsible for the part 2 standards have determined that it is not necessary to specify particular requirements for the appliance in question over and above the general requirements.

This standard is a product family standard dealing with the safety of appliances and takes precedence over horizontal and generic standards covering the same subject.

NOTE 2 Horizontal and generic standards covering a hazard are not applicable since they have been taken into consideration when developing the general and particular requirements for the IEC 60335 series of standards. For example, in the case of temperature requirements for surfaces on many appliances, generic standards, such as ISO 7243-1 for hot surfaces, are not applicable in addition to Part 1 or part 2 standards.

An appliance that complies with the text of this standard will not necessarily be considered to comply with the safety principles of the standard if, when examined and tested, it is found to have other features that impair the level of safety covered by these requirements.

An appliance employing materials or having forms of construction differing from those detailed in the requirements of this standard may be examined and tested according to the intent of the requirements and, if found to be substantially equivalent, may be considered to comply with the standard.

HOUSEHOLD AND SIMILAR ELECTRICAL APPLIANCES – SAFETY –

Part 2-6: Particular requirements for stationary cooking ranges, hobs, ovens and similar appliances

1 Scope

This clause of Part 1 is replaced by the following.

This International Standard deals with the safety of **stationary electric cooking ranges, hobs, ovens** and similar appliances for household use, their **rated voltage** being not more than 250 V for single-phase appliances connected between one phase and neutral, and 480 V for other appliances.

This International Standard also includes some requirements for **ovens** that are intended to be used on board ships.

NOTE 101 Examples of appliances that are within the scope of this standard are

- **griddles;**
- **grills;**
- **induction hobs;**
- **induction wok elements;**
- **pyrolytic self-cleaning ovens;**
- **steam ovens.**

ⓘ As far as is practicable, this standard deals with the common hazards presented by appliances that are encountered by all persons in household and similar environments.

However, in general, it does not take into account:

- **children** playing with the appliance,
- the use of the appliance by **very young children**
- the use of the appliance by **young children** without supervision,

It is recognized that **very vulnerable people** may have needs beyond the level addressed in this standard. ⓘ

NOTE 102 Attention is drawn to the fact that

- for appliances intended to be used in vehicles or on board ships or aircraft, additional requirements may be necessary;
- in many countries, additional requirements are specified by the national health authorities, the national authorities responsible for the protection of labour, the national water supply authorities and similar authorities.

NOTE 103 This standard does not apply to

- appliances intended for commercial catering;
- appliances intended to be used in locations where special conditions prevail, such as the presence of a corrosive or explosive atmosphere (dust, vapour or gas);

- grills, toasters and similar portable cooking appliances (IEC 60335-2-9);
- microwave ovens (IEC 60335-2-25).

2 Normative references

This clause of Part 1 is applicable except as follows.

Addition:

IEC 60584-1, *Thermocouples – Part 1: EMF specifications and tolerances*

IEC 60068-2-6:2007, *Environmental testing – Part 2-6: Tests – Test Fa: Vibration (sinusoidal)*

IEC 60068-2-27:2008, *Environmental testing – Part 2-27: Tests – Test Ea and guidance: Shock*

IEC 60068-2-52:1996, *Environmental testing – Part 2-52: Tests – Test Kb: Salt mist, cyclic (sodium chloride solution)*

3 Terms and definitions

This clause of Part 1 is applicable except as follows.

3.1.6 Addition:

Note 101 to entry: For appliances having more than three **heating units** per phase, a diversity factor is applied to the **rated current** or **rated power input** when determining the current used to establish the size of the terminals and the nominal cross-sectional area of the **supply cord**. The diversity factor F is calculated from the following formula, where N is the number of **heating units** per phase that can be energized together:

$$F = 0,35 + \frac{0,65}{\sqrt{N}}$$

3.1.9 Replacement:

Normal operation

operation of the appliance as specified in 3.1.9.101 to 3.1.9.107

3.1.9.101 Hob elements, other than **induction hob elements** and **induction wok elements**, are operated with vessels containing cold water. The vessel is made of unpolished commercial quality aluminium, has a flat bottom and is covered with a lid that is positioned so that steam does not affect the tests. Thermal controls are adjusted to their highest setting until the water boils and then adjusted so that the water boils gently. Water is added to maintain the level during boiling.

In case of doubt, vessels as specified in Figure 101 are used.

Induction hob elements are operated with vessels as specified in Figure 102 that contain cooking oil at room temperature. Thermal controls are adjusted to their highest setting until the oil temperature reaches $180\text{ °C} \pm 4\text{ °C}$ and then adjusted so that this temperature is maintained. The oil temperature is measured 10 mm above the centre of the bottom of the vessel.

Induction wok elements are operated with a wok having an equivalent sphere diameter that does not differ from the equivalent sphere diameter of the **induction wok element** cavity by more than $\begin{matrix} 0 \\ -1 \end{matrix}$ %. This wok may be supplied by the manufacturer.

The wok is made of low carbon steel having a maximum carbon content of 0,08 % and a thickness of 2 mm ± 0,5 mm. The height of the wok shall be approximately twice the depth of the **induction wok element** cavity.

The wok is filled to approximately half of its height with cooking oil at room temperature. Thermal controls are adjusted to their highest setting until the oil temperature reaches 180 °C ± 4 °C and then adjusted so that this temperature is maintained. The oil temperature is measured 10 mm above the centre of the bottom of the vessel.

For all **hob elements** other than **induction wok elements**, the diameter of the bottom of the vessel is approximately equal to the diameter of the **cooking zone** and the quantity of liquid is specified in Table 101. The vessel is positioned centrally on the **cooking zone**.

If several **cooking zones** are marked for one **hob element**, the most unfavourable **cooking zone** is used for the test.

For **non-circular cooking zones**, the smallest non-circular vessels used which will cover the **cooking zone** as far as possible, taking into account the hob-in and the other vessels. The quantity of liquid is determined on the basis of the minor diameter of the **cooking zone**.

Table 101 – Quantity of liquid in the vessel

Diameter of cooking zone mm	Quantity of water or oil l
≤ 110	0,6
> 110 and ≤ 145	1,0
> 145 and ≤ 180	1,5
> 180 and ≤ 220	2,0
> 220 and ≤ 300	3,0

3.1.9.1.2 **Ovens** and **steam convection ovens** are operated empty with the door closed. Thermal controls are adjusted so that the mean temperature in the centre of the **oven** is maintained at

• 20 °C ± 4 °C for **ovens** with forced air circulation;

• 240 °C ± 4 °C for other **ovens**.

If the temperature cannot be attained, the thermal control is adjusted to its highest setting.

Ovens without thermal controls are switched on and off so that the temperature in the centre of the **oven** is maintained at 240 °C ± 15 °C.

Atmospheric steam ovens and **pressure steam ovens** are operated in accordance with the instructions. Lids, doors and covers are in position and closed. Controls are adjusted to their highest setting until the cooking temperature is reached and then adjusted to the lowest setting that maintains this temperature.

Steam generators intended to be filled by hand are filled according to the instructions, water being added to maintain the steam generation.

Steam generators intended to be filled automatically are connected to a water supply, the pressure of which is set according to the instructions.

The supply water has a temperature of

- 15 °C ± 5 °C for appliances to be connected to a cold water supply;
- 60 °C ± 5 °C or the temperature indicated in the instructions, whichever is the higher, for appliances to be connected to a hot water supply.

Steam convection ovens are also operated while generating steam but with the thermal controls adjusted as for operation without steam.

3.1.9.103 Grills are operated empty with the grill pan and food supports in the most unfavourable position for normal use, the door and any other accessories being positioned in accordance with the instructions. In the absence of such instructions, the door and other accessories are placed in the most unfavourable position in which they may be left. Thermal controls are adjusted to their highest setting. However, if the instructions for grills incorporated in **ovens** specify a lower setting, this setting is used. Any reflectors intended to be placed above heating elements are in position.

3.1.9.104 Rotating spits in **ovens** or **grills** are operated with the load on the rotating spit as shown in Figure 103. The appliance is operated taking into account the instructions with regard to

- the heating elements to be operated;
- the setting of the thermal control;
- the position of the door and grill pan.

In the absence of such instructions, the control is adjusted to its highest setting and the door is fully open or is placed in the most unfavourable intermediate position in which it may be left.

Any grill pan is placed in its lowest position.

3.1.9.105 Warming drawers and similar compartments are operated in the closed position with their controls adjusted to the highest setting.

3.1.9.106 Griddles are operated so that the temperature at the centre of the heated surface is maintained at $275^{\circ}\text{C} \pm 15^{\circ}\text{C}$ by adjusting their thermal controls or by switching the supply on or off.

3.1.9.107 Cooking ranges are operated with their individual **heating units** being operated under their rated conditions of **normal operation**.

3.101
oven

appliance having a heated cavity with a door and constructed so that food, which may be in a container, can be placed on a shelf

3.102
grill

heating unit constructed so that the food is supported on a grid or spit and is cooked by radiant heat

Note 1 to entry: The cooking operation in a **grill** is known as grilling or broiling.

3.103
hob

appliance that incorporates a **hob surface** and one or more **hob elements**, and is built in or part of a **cooking range**

3.104

cooking range

appliance incorporating a **hob** and an **oven** and which may incorporate a **grill** or **griddle**

3.105

pyrolytic self-cleaning oven

oven in which cooking deposits are removed by heating the **oven** to a temperature exceeding 350°C

3.106

steam oven

oven intended for cooking food by steam in the appliance

3.106.1

steam convection oven

steam oven intended for cooking food by conventional heating and steam generated at atmospheric pressure in the appliance

Note 1 to entry: The operation temperature can exceed the boiling point of water.

3.106.2

atmospheric steam oven

steam oven in which the pressure within the cooking compartment does not differ significantly from atmospheric pressure

3.106.3

pressure steam oven

steam oven intended for cooking food by direct steam generated at a pressure that is significantly higher than atmospheric pressure

Note 1 to entry: Significantly higher is considered to be greater than 50 kPa.

3.107

griddle

heating unit having a surface on which the food is placed directly for cooking

3.108

induction hob

hob containing at least one **induction hob element** or one **induction wok element**

3.109

heating part

any part of the appliance that fulfils an independent cooking or warming function

Note 1 to entry: Examples are **hob elements**, **ovens**, **grills** and warming drawers.

3.110

hob surface

horizontal part of the appliance on which vessels can be placed

3.111

hob element

heating unit attached to the **hob surface** or positioned below the **cooking zone**

3.112

induction hob element

hob element that heats metallic vessels by means of eddy currents

Note 1 to entry: The eddy currents are induced in the vessel by the electromagnetic field of a coil.

3.113

induction wok element

induction hob element with the hob surface of an approximate spherical shape to accept a wok

3.114

cooking zone

area marked on a **hob surface** where the vessel is placed for heating food

Note 1 to entry: When a **hob element** protrudes above the **hob surface**, its surface is the **cooking zone**.

3.115

pan detector

device incorporated in a **hob element** that prevents its operation unless a vessel is placed on the **cooking zone**

3.116

touch control

control actuated by contact or proximity of a finger, with little or no movement of the contact surface

3.117

temperature-sensing probe

device that is inserted into the food to measure its temperature and which is a part of an **oven** control

3.118

rated water pressure

water pressure assigned to the appliance by the manufacturer

3.119

rated cooking pressure

maximum working pressure of **pressure steam ovens** assigned by the manufacturer to the pressurized parts of the appliance

3.120

pressure regulator

control that maintains the pressure at a particular value during normal use

3.121

pressure-relief device

control that limits the pressure under abnormal operating conditions

3.122

open deck

area that is exposed to marine environment

3.123

dayroom

area that may be exposed to marine environment from time to time

4 General requirement

This clause of Part 1 is applicable.

5 General conditions for the tests

This clause of Part 1 is applicable except as follows.

5.3 Addition:

For **pyrolytic self-cleaning ovens**, the tests of 22.108 to 22.111 are carried out before the tests of Clause 19.

5.4 Addition:

*Appliances that also use gas are supplied with gas at the appropriate rated pressure. Vessels having a diameter of approximately 220 mm are filled with 2 l of water, covered with a lid and placed on the **hob** burners. The controls are adjusted to their highest setting until the water boils. They are then adjusted so that the water simmers, water being added when necessary to maintain the level.*

5.101 Class III temperature-sensing probes are only subjected to the tests of Clause 19.

5.102 Steam convection ovens are tested as ovens.

6 Classification

This clause of Part 1 is applicable except as follows.

6.1 Modification:

Appliances shall be **class I, class II** or **class III**.

6.2 Addition:

Ovens for open deck use shall be **IX X6**.

7 Marking and instructions

This clause of Part 1 is applicable except as follows.

7.1 Addition:

The total **rated power input** or **rated current** of each induction generator unit shall be marked.

The **rated cooking pressure** in kilopascals (kPa) of **pressure steam ovens** shall be marked.

If a **cooking range** incorporates a socket-outlet protected by means of fuses, other than D type fuses, it shall be marked with the rated current of the relevant fuse. When a miniature fuse-link is provided, this marking shall indicate that the fuse-link is to have a high breaking capacity.

7.6 Addition:



[symbol IEC 60417-5010 (2002-10)]

ON/OFF (push-push)



[symbol IEC 60417-6059 (2011-05)]

Caution, possibility of tilting



[symbol IEC 60417-6060 (2011-05)]

Anti-tip restraints



[symbol IEC 60417-5041 (2002-10)] Caution, hot surface

7.10 Replace the 4th to 7th paragraph of Part 1 by the following:

Devices used to stop operational functions of the appliance, if any, shall be distinguished from other manual devices by means of shape, or size, or surface texture, or position, etc.

An indication that the device has been operated shall be given by:

- A tactile feedback or
- An audible and visual feedback.

NOTE Z1 The sound of the motor or sound of an actuator switching ON/OFF is regarded as audible feedback. The stopping of the typical function (e.g. stopping of the vibration on the body of the appliance or of a part of it) is regarded as tactile means.

NOTE Z2 Devices used to stop operational functions mean devices that are operated by the user to start/stop the intended function of the appliance.

A selector switch with an off-position clearly identifiable is allowed.

An ON/OFF switch, if any, is considered a suitable device to stop operational functions. A plug is not considered a suitable device to stop operational functions, as it can be difficult to be reached by vulnerable persons.

Addition:

The **off position** of **touch controls** for hobs shall be marked by the figure O and the on position by the figure I. If there is no **touch control** for the **hob**, this requirement applies to the **touch controls** for each **hob element**.

If the same **touch control** is used for switching on and off, symbol IEC 60417-5010 (2002-10) can be used.

Addition:

If the **hob surface** is of glass-ceramic or similar material and protects **live parts**, the instructions shall include the substance of the following:

WARNING: If the surface is cracked, switch off the appliance to avoid the possibility of electric shock.

The instructions for **cooking ranges** and **ovens** shall include the substance of the following:

During use the appliance becomes hot. Care should be taken to avoid touching heating elements inside the oven.

• The instructions shall include the substance of the following:

- WARNING: The appliance and its accessible parts become hot during use. Care should be taken to avoid touching heating elements. Children less than 8 years of age shall be kept away unless continuously supervised.

The instructions for **ovens** having doors with glass panels and the instructions for **hobs** with glass hinged lids shall include the substance of the following:

Do not use harsh abrasive cleaners or sharp metal scrapers to clean the oven door glass/ the glass of hinged lids of the hob (as appropriate), since they can scratch the surface, which may result in shattering of the glass.

If during the test of Clause 11, the temperature rise at the centre of the internal bottom surface of a storage drawer exceeds that specified for handles held for short periods in normal use the instructions shall state that these surfaces can get hot.

The instructions of **pressure steam ovens** shall include the substance of the following:

The ducts in the pressure regulator allow the escape of steam, so these ducts should be regularly checked to ensure that they are not blocked.

The instructions of **pressure steam ovens** shall also give details on how to open the door safely.

The instructions of **pressure steam ovens** shall include the substance of the following warning:

WARNING: Do not open drain cocks or other emptying devices until the pressure has been reduced to approximately atmospheric pressure.

The instructions for **pyrolytic self-cleaning ovens** shall state that excess spillage must be removed before cleaning and shall specify which utensils can be left in the **oven** during cleaning.

If, for cleaning, the manufacturer instructs the user to set the controls to a position higher than for normal cooking purposes, the instructions shall state that under such conditions the surfaces may get hotter than usual and children should be kept away.

The instructions for **ovens** incorporating a fan with a guard that can be removed for cleaning shall state that the **oven** must be switched off before removing the guard and that, after cleaning, the guard must be replaced in accordance with the instructions.

The instructions for **ovens** provided with a facility to use a **temperature-sensing probe** shall include the substance of the following:

Only use the temperature probe recommended for this oven.

The instructions for **ovens** that have shelves shall include details indicating the correct installation of the shelves.

The instructions for **cooking ranges, hobs** and **ovens** shall state that a steam cleaner is not to be used.

The instructions for **induction hobs** shall include the substance of the following:

Metallic objects such as knives, forks, spoons and lids should not be placed on the hob surface since they can get hot.

The instructions for **hobs** incorporating a lid shall state that any spillage should be removed from the lid before opening. They shall also state that the hob surface should be allowed to cool before closing the lid.

The instructions for **hobs** incorporating halogen lamps shall warn the user not to stare at the hob elements.

The instructions for **hobs** incorporating a **pan detector** shall include the substance of the following:

After use, switch off the hob element by its control and do not rely on the pan detector.

If the appliance incorporates a lamp for illumination, and does not incorporate a switch providing full disconnection under overvoltage category III conditions, the instructions shall include the substance of the following:

WARNING: Ensure that the appliance is switched off before replacing the lamp to avoid the possibility of electric shock.

The instructions for **hobs** shall state that the appliance is not intended to be operated by means of an external timer or separate remote-control system.

☐ • The instructions for **hobs** and **ranges** shall include the substance of the following:

- WARNING: Unattended cooking on a hob with fat or oil can be dangerous and may result in fire. NEVER try to extinguish a fire with water, but switch off the appliance and the burner flame e.g. with a lid or a fire blanket.

CAUTION: The cooking process has to be supervised. A short term cooking process has to be supervised continuously.

WARNING: Danger of fire: do not store items on the cooking surfaces. ☐

The instructions for **hobs** incorporating an **induction wok element** shall contain a list of vessels that can be used, unless the manufacturer provides a wok with the appliance.

☐ The instructions for **hobs** shall include the substance of the following:

WARNING: Use only hob guards designed by the manufacturer of the cooking appliance or indicated by the manufacturer of the appliance in the instructions for use as suitable or hob guards incorporated in the appliance. The use of inappropriate guards can cause accidents. ☐

The instructions for **ovens** that are intended for use on board ships shall state whether the appliance can be installed on an **open deck** or whether it can only be installed in a **dayroom**.

7.12.1 Addition:

Unless the instructions for **cooking ranges** state that the range must not be placed on a base, the instructions for **cooking ranges** that are placed on the floor shall state that if the range is placed on a base, measures have to be taken to prevent the appliance slipping from the base.

Unless the instructions state to the contrary, the instructions for **cooking ranges** and **ovens** shall state that the appliance must not be installed behind a decorative door in order to avoid overheating.

The instructions for appliances intended to be connected to the water mains shall include the maximum **rated water pressure** in megapascals.

The instructions for **ovens** that are intended for use on board ships shall include details for fixing the appliance.

7.12.3 Addition:

If a **cooking range** does not have a **supply cord**, the instructions shall state the type of cord to be used, taking into account the temperature of the rear surface of the appliance.

7.12.4 Addition:

The instructions for **built-in appliances** having separate control panels shall state that the control panel is only to be connected to the **heating units** specified in order to avoid a possible hazard.

7.14 Addition:

The height of the triangle used with symbol IEC 60417-6060 shall be at least 12 mm. 

7.15 Addition:

The marking for the rated current of the fuse protecting a socket-outlet shall be placed on or near the socket-outlet.

Modification:

For **stationary appliances** except for **fixed appliances**, at least the name or trademark or identification mark of the manufacturer or responsible vendor and the model or type reference shall be visible when the appliance is installed as in normal use.

For **fixed appliances**, the marking of the name or trademark or identification mark of the manufacturer or responsible vendor and the model or type reference shall be marked on the appliance and, if not visible when the appliance is installed as in normal use, shall be included in the instructions or on an additional label that can be fixed near the appliance after installation.

7.101 Steam generators intended to be filled manually shall be marked with the maximum water level, which shall be visible during filling.

Compliance is checked by inspection.

7.102 The **cooking zone** of **hob surfaces** shall be identified by appropriate marking unless it is obvious.

Compliance is checked by inspection.

7.103 For **cooking ranges** that are normally placed on the floor and that have horizontally hinged **oven** doors with a hinge height of less than 430 mm from the floor, if a stabilizing means is necessary in order to comply with the test of 20.102, then

- the stabilising means shall be marked with symbol IEC 60417-6060 (2011-05) or in lettering at least 3 mm high, with the substance of the following:

WARNING: In order to prevent tipping of the appliance, this stabilising means must be installed. Refer to the instructions for installation.

NOTE Commonly available fixing hardware, such as screws and bolts, need not be marked or delivered with the appliance.

- the appliance shall be marked with symbol IEC 60417-6059 (2011-05) or in lettering at least 3 mm high, at the point of supply entry and at least one other point to draw the attention of the user to the need to stabilise the appliance.

If symbol IEC 60417-6059 (2011-05) or IEC 60417-6060 (2011-05) are used, their meaning shall be explained in the instructions and their height shall be at least 30 mm.

Compliance is checked by inspection and measurement.

8 Protection against access to live parts

This clause of Part 1 is applicable except as follows.

8.1.2 Addition:

*Test probe 12 of IEC 61032 is applied without appreciable force to parts liable to be touched accidentally in normal use by a fork or similar pointed object. It shall not be possible to touch **live parts**.*

8.1.3 Addition:

*Test probe 41 of IEC 61032 is only applied to **visibly glowing heating elements** situated at the top of an **oven** or grilling compartment.*

9 Starting of motor-operated appliances

This clause of Part 1 is not applicable.

10 Power input and current

This clause of Part 1 is applicable except as follows.

10.1 Addition:

Socket-outlets are not loaded during the test, however the power input is considered to be 1 kW per socket-outlet.

*For **ovens** and **steam ovens**, the heat up time to obtain the centre cavity temperature specified for **normal operation** is a representative period.*

*For **griddles**, the heat up time to obtain the surface temperature specified for **normal operation** is a representative period.*

*For **grills** and warming drawers, the heat up period for **normal operation** is a representative period.*

*For **hobs**, the heat up time until the water boils with the controls adjusted to their highest setting is a representative period.*

*For **induction hob elements** and **induction wok elements**, the heat up time for the oil to reach a temperature of $180^{\circ}\text{C} \pm 4^{\circ}\text{C}$ with the controls adjusted to their highest setting is a representative period. If the power input is reduced during the heat up time for the oil to reach a temperature of $180^{\circ}\text{C} \pm 4^{\circ}\text{C}$ then the representative period is taken as the time until the first reduction of the power input.*

The power input of **induction hob elements** and **induction wok elements** is measured for each induction generator unit separately and the tolerances for **motor-operated appliances** apply.

10.2 Addition:

Socket-outlets are not loaded during the test, however the current is considered to be 1 kVA divided by the **rated voltage**.

For **ovens** and **steam ovens**, the heat up time to obtain the centre cavity temperature specified for **normal operation** is a representative period.

For **griddles**, the heat up time to obtain the surface temperature specified for **normal operation** is a representative period.

For **grills** and warming drawer,s the heat up time for **normal operation** is a representative period.

For **hobs**, the heat up time until the water boils with the controls adjusted to their highest setting is a representative period.

For **induction hob elements** and **induction wok elements**, the heat up time for the oil to reach a temperature of $180^{\circ}\text{C} \pm 4^{\circ}\text{C}$ with the controls adjusted to their highest setting is a representative period. If the current is reduced during the heat up time for the oil to reach a temperature of $180^{\circ}\text{C} \pm 4^{\circ}\text{C}$ then the representative period is taken as the time until the first reduction of the current.

The current of **induction hob elements** and **induction wok elements** is measured each induction generator unit separately and the tolerances for **motor-operated appliances** apply.

11 Heating

This clause of Part 1 is applicable except as follows.

11.1 Addition:

For **cooking ranges** and **ovens**, compliance is also checked by the test of 11.101.

11.2 Addition:

For appliances intended to stand on the floor, a closed rectangular box is placed as close as possible to the free side of the appliance and against the rear wall of the test corner. The box is made of dull black painted plywood 10 mm thick. It has a width of 150 mm, its top being level with the **hob surface** and its front flush with the front surface of the appliance.

Appliances having a lid to cover the **hob surface** are tested with the lid open. Lids that can be removed without the aid of a **tool** are removed, unless the **hob element** cannot operate with the lid removed.

Temperature-sensing probes are placed in the **oven** in any position likely to occur during normal use. They are not connected to control the **oven** temperature. The test for **pyrolytic self-cleaning ovens** is carried out with **temperature-sensing probes** in position, unless otherwise specified in the instructions.

Detachable parts that are intended to be used to reduce the temperature of control panels are removed. A retractable part is not a **detachable part**.

11.3 Addition:

The temperature of the centre of the **oven** and the temperature rises of the surface of the rectangular box are determined using the thermocouples specified for the walls of the test corner.

If the magnetic field of an **induction hob element** unduly influences the results, the temperature rises can be determined using platinum resistances with twisted connecting wires or any equivalent means.

During the test of 11.101, if the front and side surfaces and their temperature rises are measured using the probe of Figure 104.

The probe is applied with a force of $4\text{ N} \pm 1\text{ N}$ to the surface in such a way that the best possible contact between the probe and the surface is ensured. The probe is applied for a period of at least 5 min before the final temperature reading is taken.

The probe can be held in place using a laboratory stand clamp or similar device.

For flat front and side surfaces, any measuring instrument giving the same results as the probe can be used.

11.4 Addition:

Induction hob elements and **induction wok elements** are supplied separately and operated as specified for **motor-operated appliances**.

Cooking ranges are operated at 1,15 **rated power input** under **normal operation**. The supply voltage is measured when the power input has stabilized. This voltage is used to supply the **heating units** of the **cooking range** during the tests.

Ovens are operated at 1,15 times **rated power input** under **normal operation**. The supply voltage is measured during the heat up period. This voltage is used to supply the **heating units** of **ovens** during the tests.

11.6 Replacement:

Combined appliances are operated as specified for **heating appliances**.

If the temperature rise limits are exceeded in appliances incorporating motors, transformers or **electronic circuits**, and the power input is lower than the **rated power input**, the test is repeated with the appliance supplied at 1,06 times **rated voltage**.

11.7 Replacement:

Appliances are operated for the duration specified in 11.7.101 to 11.7.106.

NOTE 101 Steady conditions are considered to be established if the temperature does not rise by more than 1 K in 15 min.

11.7.101 Induction hob elements and **induction wok elements** are operated for 30 min. Other **hob elements** are operated for 60 min.

11.7.102 Ovens are operated for 60 min starting from the cold condition. If a rotating spit is provided, it is in operation.

Lamps in **ovens** are not manually switched on.

If an appliance incorporates two **ovens** that can be energized simultaneously, they are tested together.

Pyrolytic self-cleaning ovens are also operated under the cleaning conditions specified in the instructions for the maximum time allowed by the control or until steady conditions are established, whichever is shorter. During this period, other **heating units** that can be energized are operated under **normal operation**.

11.7.103 Grills are operated for 30 min. However, **grills** having means to reduce the power input are operated for 15 min with their controls adjusted to the highest setting and then for 15 min at a setting which reduces the average power input by approximately 50 %.

Grills provided with a rotating spit are also operated with the spit rotating for 60 min.

11.7.104 Griddles incorporating a thermal on/off are operated until steady conditions are established. Other **griddles** are operated for 30 min after the centre of the heating surface attains a temperature of 275 °C.

11.7.105 Warming drawers and similar compartments are operated for 30 min.

11.7.106 For cooling ranges, combinations of **heating units** that can be energized simultaneously are tested together for the durations specified in 11.7.101 to 11.7.105, **heating units** that have a test duration of 30 min being operated for the last 30 min of the test.

NOTE For example, the sequence of tests for a **cooking range** incorporating a **grill** in the **oven** and a rotating spit is as follows:

- operation of the **hob** and **oven** and, if possible, with the spit rotating, for 60 min;
- cooling down to approximately room temperature;
- operation of the **hob** for 60 min, the **grill** being operated simultaneously for the last 30 min;
- cooling down to approximately room temperature;
- operation of the **hob** and **grill** with the spit rotating, for 60 min.

11.7.107 If the appliance incorporates a socket-outlet, an appropriate plug identified in IEC/TR 60083 is engaged. The plug is connected to a 1 kW resistive load by means of an ordinary polyvinyl chloride sheathed flexible cord (code designation 60227 IEC 53) having a cross-sectional area of 0,75 mm². The temperature rise of the plug is determined during the last 30 min of the test.

11.8 Modification:

Instead of the temperature rises stated in Table 3 for wood, the following applies.

Temperature rises of the floor and walls of the test corner, wooden cabinets and the rectangular box shall not exceed the following values:

- | | |
|---|------|
| – appliances intended to stand on a table | 65 K |
| – grills | 75 K |
| – other appliances | 70 K |

The temperature rise of parts of the underside of **built-in hobs**, accessible to a 75 mm diameter probe having a hemispherical end, shall not exceed 70 K unless the instructions specify that a board is to be installed underneath the **hob**.

Addition:

The temperature rise of handles of inner glass doors, grill pans, **temperature-sensing probes** and rotating parts in **ovens** or **grills** is not limited.

During the additional test for **pyrolytic self-cleaning ovens**, the temperature rise of the surface of knobs, handles and levers shall not exceed the following values:

- metal 50 K
- porcelain or vitreous material 75 K
- moulded material, rubber or wood 80 K

The temperature rises of knobs, handles and levers associated with functions that cannot be performed during the cleaning operation are not determined.

The temperature rise limits of motors, transformers and components of **electronic circuits**, including parts directly influenced by them, may be exceeded when the appliance is operated at 1,15 times **rated power input**.

The temperature rise of the plug, measured 2 mm below the surface at the centre of the engagement face, shall not exceed 45 K.

11.101 Cooking ranges and ovens are placed as specified in 11.2. However, appliances intended to stand on the floor are positioned with their backs against one of the walls of the test corner and away from the other wall. A rectangular box as specified in 11.2 is placed against one of the sides of the appliance. The appliance is supplied at **rated voltage** and operated under **normal operation**.

All **heating units**, other than **grills**, that can be connected to the supply mains at the same time during normal use are switched on.

Pressure steam ovens and **atmospheric steam ovens** are operated in each steam mode with controls adjusted to their highest setting. Other **ovens** are operated without accessories other than a grid shelf that is positioned on the shelf supports closest to the vertical centre of the **oven**. The mean temperature in the centre of the **oven** is maintained at $200\text{ °C} \pm 4\text{ °C}$.

However, if the **oven** is a **pyrolytic self-cleaning oven**, it is operated under the cleaning conditions in accordance with 11.7.102.

Hob elements and **griddles** are operated in accordance with 11.7.

Warming drawers and similar compartments are operated with the controls adjusted to the highest setting.

Pressure steam ovens and **atmospheric steam ovens** are operated 30 min. Other appliances are operated for 60 min or until steady conditions are established, whichever is shorter.

Temperature rises are not measured on

- surfaces that are inaccessible to a 75 mm diameter probe having a hemispherical end, unless they are protected by a **detachable guard**;
 - surfaces of **cooking ranges** that are within 25 mm below the level of the **hob surface** or are above the **hob surface**;
 - small parts such as **oven** vents, hinges and trim where the width of the **accessible surface** is less than 10 mm;
 - surfaces within 10 mm of the edge of the **oven door**.
- ☐ - the underside of appliances intended to be used on a working surface or floor;
- the rear surface of appliances which, according to the instructions, shall be placed against a wall.

During the test, the temperature rise of surfaces shall not exceed the values specified in Table 103. ☐

Table 102 ☐ Void ☐

Table 103 – Temperature rise limits for accessible surfaces ☐ Text deleted ☐

Surface ^b	Temperature rise ^d K			
	Parts situated not more than 850 mm above the floor after installation.		Parts situated more than 850 mm above the floor after installation	
	Front surfaces of oven doors	Other surfaces	Front surfaces of oven doors	Other surfaces
Bare metal	40	45	45	45
Coated metal ^c	45	55	55	55
Glass and ceramic	55	60	60	60
Plastic having a thickness exceeding 0,4 mm ^a	60	65	65	65

^a The temperature rise limit applies also for plastic material having a metal finish of thickness less than 0,1 mm.

When the thickness of the plastic coating does not exceed 0,4 mm, the temperature rise limits of the coated metal or of glass and ceramic material apply.

^c Metal is considered coated when a coating having a minimum thickness of 90 µm made by enamel or non-substantially plastic coating is used.

^d The temperature rise of parts of **pyrolytic self-cleaning ovens** operating under cleaning conditions, regardless of height above the floor, shall not be higher than the values specified for parts situated more than 850 mm above the floor after installation. If these values cannot be met, the temperature rise shall not be higher than twice these values. In this case symbol IEC 60417-5041 (2002-10) shall be marked with a height of at least 12mm. It shall be visible from the front of the appliance, when the appliance is in pyrolytic self-cleaning mode

Table 104 ☐ Void ☐

- ☐ If the **oven door** is protected by a guard, the temperature rise limits in Table 103 specified for the front surface of **oven doors** apply to the guard. However, if the guard is a **detachable guard** the temperature rise limits in Table 103 specified for other surfaces apply to parts of the **oven door** protected by the guard. ☐

For ovens intended to be used on a working surface the temperature rise limits in the relevant Table ☐ 103 ☐ specified for parts situated more than 850 mm above the floor apply.

If the **oven** can be used for grilling and the instructions state that for grilling the door should be closed, the test is repeated but with the **oven** operating in the grilling mode with the controls set according to the instructions. The **grill** is operated for 30 min in accordance with 11.7.103. However, if the **oven** has a rotating spit, the duration of the test is 60 min, with the controls set to give the most unfavourable conditions specified in the instructions. The measurements are only carried out on surfaces for which temperature rises for the front surface of **oven** doors apply.

12 Void

13 Leakage current and electric strength at operating temperature

This clause of Part 1 is applicable except as follows.

13.1 Addition:

If a **grill** is incorporated in the **oven**, either the **oven** or the **grill** is operated, whichever is more unfavourable.

For **hobs**, the tests are carried out with a vessel filled as specified in 3.1.9.101 placed on each **cooking zone**.

Induction hob elements and **induction wok elements** are tested as specified for **motor-operated appliances**.

13.2 Modification:

After the appliance has been operated for the duration specified in 11.7, the controls are adjusted to their highest setting and the leakage current is measured within 10 s of it attaining its highest value.

For **stationary class I appliances**, the leakage current shall not exceed the following values:

- | | |
|--|--|
| <ul style="list-style-type: none"> – for appliances with heating elements that are detachable or can be switched off separately | <p>1 mA, or 1 mA per kW power input for each element with a limit of 10 mA, whichever is higher. If the appliance has more than three heating units, only 75 % of the measured leakage current is taken into account;</p> |
| <ul style="list-style-type: none"> – for other appliances | <p>1 mA, or 1 mA per kW rated power input with a limit of 10 mA, whichever is higher.</p> |

If there is earthed metal between **live parts** and the surface of glass-ceramic or similar material of **hobs**, the leakage current is measured between **live parts** and each vessel in turn connected to the earthed metal. If there is no earthed metal, the peak value of the leakage current, measured, using the circuit described in Figure 4 of IEC 60990, between **live parts** and each of the vessels in turn, shall not exceed 0,35 mA.

13.3 Addition:

If there is earthed metal between **live parts** and the surface of glass-ceramic or similar material of **hobs**, a test voltage of 1 000 V is applied between **live parts** and all the vessels connected to the earthed metal. If there is no earthed metal, a test voltage of 3 000 V is applied between **live parts** and the vessels.

14 Transient overvoltages

This clause of Part 1 is applicable.

15 Moisture resistance

This clause of Part 1 is applicable except as follows.

15.2 Addition:

Cooking ranges and hobs are positioned so that the **hob surface** is horizontal. A vessel having the largest diameter shown in Figure 101, that does not exceed the diameter of the **cooking zone**, is completely filled with the spillage solution and positioned centrally over the **cooking zone**. A further quantity of 0,5 l of the spillage solution is poured steadily into the vessel over a period of 15 s. The test is carried out on each **cooking zone** in turn, after removing any residual spillage solution from the appliance.

For **hob elements** incorporating a switch or a thermal control, 0,02 l of the spillage solution is poured over the **hob element** so that it flows over the switch or control. A vessel is then placed on the **hob element** to depress any movable part. If controls are mounted below the **hob surface**, 0,5 l of the spillage solution is poured steadily over the top of the **hob** near the controls over a period of 15 s. If the controls are mounted in the **hob surface**, the spillage solution is poured over them.

For **hobs** having ventilating openings in the **hob surface**, 0,2 l of the spillage solution is poured steadily through a funnel onto the ventilating openings. The funnel has an outlet diameter of 8 mm and is positioned vertically with the outlet 200 mm above the **hob surface**. The funnel is positioned above the ventilating openings so that the spillage solution enters the appliance in the most unfavourable way.

If the opening is protected, the funnel is positioned so that the spillage solution falls onto the **hob surface** as close as possible to the opening.

Care is to be taken to ensure that the spillage solution is not poured over controls located close to ventilating openings.

For **ovens and grills**, 0,5 l of the spillage solution is poured over the floor of the **oven** or grilling compartment.

For appliances having a drip tray or similar receptacle, the receptacle is filled with the spillage solution. A further quantity of the spillage solution, equal to 0,01 l per 100 cm² of the area of the top surface of the receptacle, is poured onto the receptacle through openings in the **hob surface**. However, the total quantity of spillage solution shall not exceed 3 l.

For **hobs** having a lid, 0,5 l of the spillage solution is poured uniformly over the closed lid. When the spillage solution has run off, the surface is dried and a further 0,125 l of the spillage solution is poured steadily from a height of approximately 50 mm onto the centre of the lid over a period of 15 s. The lid is then opened as in normal use.

Built-in ovens that are intended for use installed under work surfaces shall be subjected to a spillage test with 0,5 l of the spillage solution. They shall be installed according to the manufacturer's instructions except that the front surface of the **oven** (excluding control knobs, handles) shall align with front edge of a 30 mm thick wooden work surface with a square front edge, see Figure 105. The spillage solution shall be poured on the work surface steadily over a period of 15 s so that the spillage solution flows down the front surface of the **oven** including controls and vents.

Steam generators intended to be connected to the water mains are supplied at **rated water pressure**. Control devices for the supply of water are held open. If more than one device is used, they are tested in turn. Water is allowed to flow for 1 min after the first evidence of overflow, unless the inflow stops automatically.

15.101 Temperature-sensing probes shall be constructed so that their insulation is not affected by water.

Compliance is checked by the following test.

The probe is completely immersed in water containing approximately 1% NaCl and having a temperature of 20 °C ± 5 °C. The water is heated to the boiling point for approximately 15 min. The probe is then removed from the boiling water and immersed in water having a temperature of 20 °C ± 5 °C for 30 min.

Detachable temperature-sensing probes are not connected to the appliance for this test. **Non-detachable temperature-sensing probes** are tested in the **oven**, the probe being immersed as much as possible.

This procedure is carried out five times after which the probe is removed from the water. All traces of liquid are then removed from the surface.

The probe shall then withstand the leakage current test of 16.2.

16 Leakage current and electric strength

This clause of Part 1 is applicable except as follows.

16.1 Addition:

For **hobs**, the tests are carried out with a vessel filled as specified in 3.1.9.101 placed on each **cooking zone**.

Induction hob elements and **induction wok elements** are tested as specified for **motor-operated appliances**.

16.2 Modification:

For **stationary class I appliances**, the leakage current shall not exceed the following values:

- for appliances with heating elements that are detachable or can be switched off separately 1 mA, or 1 mA per kW power input for each element with a limit of 10 mA, whichever is higher. If the appliance has more than three **heating units**, only 75 % of the measured leakage current is taken into account;
- for other appliances 1 mA, or 1 mA per kW **rated power input** with a maximum of 10 mA, whichever is higher.

NOTE 101 If the **oven** incorporates a **grill**, or if the appliance incorporates a means to limit the total power input, only the leakage current of those elements that can be switched on at the same time is taken into consideration.

If there is earthed metal between **live parts** and the surface of glass-ceramic or similar material of **hobs**, the leakage current is measured between **live parts** and each vessel in turn connected to the earthed metal. If there is no earthed metal, the leakage current, measured between **live parts** and each of the vessels in turn, shall not exceed 0,25 mA.

16.3 Addition:

If there is earthed metal between **live parts** and the surface of glass-ceramic or similar material of **hobs**, a test voltage of 1 250 V is applied between **live parts** and all the vessels connected to the earthed metal. If there is no earthed metal, a test voltage of 3 000 V is applied between **live parts** and the vessels.

17 Overload protection of transformers and associated circuits

This clause of Part 1 is applicable.

18 Endurance

This clause of Part 1 is not applicable.

19 Abnormal operation

This clause of Part 1 is applicable except as follows.

19.1 Addition:

For **induction hobs**, compliance is also checked by the tests of 19.101, 19.102 and 19.103, but 19.2, 19.3 and 19.4 are not applicable. In addition, 19.101 is not applicable to **induction wok elements**.

Temperature-sensing probes are placed in the **oven** in any position likely to occur during normal use except that they are not connected to control the **oven** temperature.

19.2 Addition:

Hob elements are operated without a vessel, **pan detectors** being rendered inoperative. **Oven doors** are open or closed, whichever is more unfavourable. **Hob lids** are closed unless the **hob elements** are interlocked with the lid or an indicator lamp shows that a **hob element** is switched on.

NOTE 101 A lamp that is switched on and off by a **thermostat** or energy regulator does not show that the **hob element** is switched on.

For appliances incorporating more than one **heating unit**, the test is only carried out with the **heating unit** resulting in the most unfavourable conditions, its control being adjusted to the highest setting. If the appliance incorporates an **oven** without an indicator lamp to show that the **oven** is switched on, the oven is also operated, its control being adjusted to the highest setting.

NOTE 102 A lamp used for illuminating the **oven**, visible through the door and which is automatically switched on and off together with the **oven**, is considered to be an indicator lamp.

Pyrolytic self-cleaning ovens are also operated under cleaning conditions, motors that operate during cleaning being switched off or disconnected in turn.

NOTE 103 Examples are motors of fans and timers.

Steam ovens are operated without water.

Doors of separate grill compartments incorporated in a **cooking range** are open or closed, whichever is more unfavourable.

19.4 Addition:

Pressure regulators of pressure steam ovens are rendered inoperative together with each **protective device** in turn.

19.9 Not applicable.

19.11.4 Addition:

During the test of the stand-by-mode, a suitable vessel is placed on the **cooking zone** if a **pan detector** is incorporated.

19.13 Addition:

The temperature rise limit of 150 K also applies to wooden cabinets and rectangular boxes.

The temperature in the centre of **ovens** during the test of 19.4 shall not exceed 425 °C whenever the **oven** door can be opened.

The temperature rise of the oil during the tests of 19.11.2 shall not exceed 270 K.

The temperature rise of the windings of **induction hob elements** and **induction wok elements** shall not exceed the values specified in 19.7.

The electric strength test of **induction hob elements** and **induction wok elements** is carried out immediately after switching off the appliance.

Glass in **oven** doors shall not be damaged.

It shall be possible to switch off any energized **hob element** during the test of 19.14.

19.101 Induction hob elements are supplied at **rated voltage** and operated with a steel disc placed on the centre of the **cooking zone**. The disc has a thickness of 6 mm and the smallest diameter, rounded up to the nearest centimetre, that allows the **hob element** to operate.

19.102 Induction hob elements and **induction wok elements** are supplied at **rated voltage** and operated under **normal operation** but with thermal controls short-circuited.

- Ⓒ If the thermal control is a microprocessor controlled system using an NTC sensor, an additional test is carried out with the NTC replaced by a resistor with a value equal to the middle of the range of operation of the NTC in this circuit.

NOTE This additional test satisfies the requirement "When it is stated that a control is short-circuited, it may be rendered inoperative instead." of 19.1 of Part 1. Ⓒ

19.103 Induction hob elements and **induction wok elements** are operated under the conditions of Clause 11 with empty vessels, the controls being adjusted to the highest setting.

If an **induction hob element** or an **induction wok element** has a metallic lid, it is then tested by being operated under the conditions of Clause 11 without vessels, the controls being adjusted to the highest setting. A force of 30 N is applied to the closed lid in the most unfavourable place by means of test probe B of IEC 61032.

20 Stability and mechanical hazards

This clause of Part 1 is applicable except as follows.

20.101 Cooking ranges and ovens shall have adequate stability when the open door is subjected to a load.

Compliance is checked by the following test and by the test of 20.102 if relevant.

- ☐ The stability test has to be carried out with the **oven** placed in its intended position following manufacturer's instructions. ☐

Appliances with horizontally hinged doors are placed on a horizontal surface and a mass is placed on the centre of the open door. For non-rectangular doors, the mass is placed on the part farthest from the hinge where it could be placed in normal use.

For appliances normally placed on the floor, the mass is:

- 22,5 kg, for **oven** doors;
- 7 kg, for other doors.

For appliances normally placed on a table, the mass is 7 kg.

For appliances normally placed on the floor and having vertically hinged doors, a mass of 15 kg is placed in the most unfavourable position on the open door.

For an appliance having more than one door, the test is carried out on each door separately.

*The **oven** shelves are placed in the most unfavourable position.*

***Cooking ranges** are tested without fitting any stabilizing means that are specified in the instructions for installation.*

*For **cooking ranges** incorporating a storage compartment adjacent to the oven and in which the shelves are pulled out simultaneously, the shelves are also loaded. The shelves are placed in the most unfavourable position and loaded with a uniformly distributed mass. The mass in grams is equal to the area of the shelf in square centimetres multiplied by*

- 7,5, if the free height above the shelf does not exceed 20 cm;
- 15, if the free height above the shelf exceeds 20 cm.

The appliance shall not tilt.

Damage and deformation of doors and hinges are ignored.

- ☐ **20.Z101** Horizontally hinged oven doors of floor standing cooking ranges, when fully opened, shall not cause a hazard.

Compliance is checked by inspection and measurement. For doors that go beyond the horizontal position when fully opened, the ground clearance shall be at least 70 mm. ☐

20.102 For **cooking ranges** that are normally placed on the floor and that have horizontally hinged **oven** doors with a hinge height of less than 430 mm from the floor, the test of 20.101 is repeated, except that:

- the **cooking range** is fitted with the stabilizing means, if any, specified in the instructions for installation;

- the mass of the load on the **oven** doors is increased to 50 kg, or the mass of 22,5 kg is placed at the centre of the outer edge of the **oven** door, whichever gives the most unfavourable results.

The **cooking range** shall not tilt.

Damage and deformation of doors and hinges are ignored.

21 Mechanical strength

This clause of Part 1 is applicable except as follows.

21.1 Addition:

If the appliance has glass doors, three blows are applied to the centre of the glass, the door being in the closed position. If the door has horizontal hinges, the blows are also applied to the inside of the door when it is in the open position. However, additional support is not provided for the door in the open position.

The glass shall not fracture.

If the appliance incorporates **visibly glowing heating elements** enclosed in glass tubes, the blows are applied to the tubes as mentioned in the appliance if they are

- located at the top of the **oven** and accessible to test probe 41 of IEC 61032;
- located elsewhere in the **oven** and accessible to test probe B of IEC 61032.

For **hob surfaces** of glass-ceramic or similar material, three blows are applied to parts of the surfaces that are not exposed to impacts during the test of 21.102, the impact energy being increased to $0,70\text{ J} \pm 0,05\text{ J}$. The blows are not applied to surfaces within 20 mm of knobs.

If the **hob surface** comprises a single piece of material except for the outer frame, this test is not carried out.

After the test, **temperature-sensing probes** are subjected to one cycle of the procedure described in 15.101 and shall then withstand the leakage current test of 16.2.

NOTE Hobs having a complete surface in one piece are tested according to 21.102 and Part 1.

21.101 **Oven** shelves and their supports shall have adequate mechanical strength.

Compliance is checked by the following test.

A vessel filled with sand or shot is placed on the **oven** shelf. The total mass in kilograms is equal to 220 times the volume of the useful **oven** space in cubic metres, or 24 kg, whichever is less.

The shelf, with the vessel placed centrally on it, is inserted into the **oven** and moved as close as possible to one of the side walls. It is left in this position for 1 min and then withdrawn. It is then reinserted, moved as close as possible to the other sidewall and left for 1 min.

The test is repeated for each supporting position of the shelf. The shelf and supports shall show no distortion impairing their further use and the shelf shall not fall from the supports.

The above tests are repeated with the mean temperature in the centre of the **oven** at $200\text{ °C} \pm 4\text{ °C}$ before starting the test at each supporting position of the shelf.

Ovens with withdrawable shelves fitted with stops or a rest position are then tested as follows.

The shelves are fully extended to the maximum distance allowed by the stops or a rest position. An evenly distributed force as specified in Table 105 is applied to each shelf at two locations along the front edge of the shelf, using a vessel having side dimensions of Table 105, one side of the vessel being aligned along the front edge of the shelf.

Table 105 – Test loads

Oven volume litre	Force N	Side dimensions of vessels mm
$20 \leq \text{Volume} \leq 40$	50	60
> 40	80	200

During this test, the shelf shall not tilt downwards by more than 6°.

21.102 Hob surfaces of glass-ceramic or similar material shall withstand the stresses liable to occur in normal use.

Compliance is checked by the following test.

Each **hob element** is operated at **rated power input** with its control adjusted to the maximum setting. **Induction hob elements** and **induction wok elements** are operated as specified in Clause 11. When steady conditions are established, the **hob element** is switched off and a loaded vessel is dropped flat 10 times from a height of 150 mm onto the **cooking zone**.

For **hob elements** other than **induction wok elements**, the vessel has a flat copper or aluminium base over a diameter of $120 \text{ mm} \pm 10 \text{ mm}$, its edges being rounded with a radius of at least 10 mm. It is uniformly filled with at least 1,3 kg of sand or shot so that the total mass is $1,80 \text{ kg} \pm 0,01 \text{ kg}$. For **induction wok elements**, the vessel is the wok specified in 5.4.101. It is uniformly filled with sand or shot so that the total mass is $1,80 \text{ kg} \pm 0,01 \text{ kg}$.

After subjecting each **cooking zone** in turn to this impact, the vessel is removed and all **hob elements** are operated simultaneously until steady conditions are established.

A quantity of $1^{+0,1}_0 \text{ l}$ of water having a temperature of $15 \text{ °C} \pm 5 \text{ °C}$ and containing approximately 1 % NaCl is poured steadily over the **hob surface**. The appliance is then disconnected from the supply. After 15 min, all excess water is removed and the appliance allowed to cool to approximately room temperature. The same quantity of the saline solution is poured over the **hob surface** after which excess water is removed again.

The **hob surface** shall not crack and the appliance shall withstand the electric strength test of 16.3.

21.103 Temperature-sensing probes shall be constructed so that they are not damaged when trapped in the **oven** door.

Compliance is checked by the following test.

The probe is connected as in normal use and the sensing part or cord allowed to rest in any position likely to occur. The **oven** door is closed against the sensing part or cord and a force of 90 N is applied to the door in the most unfavourable place for 5 s.

The **oven** is not operated during this test.

The probe shall then comply with 8.1, 15.101 and Clause 29.

21.104 Glass panels of horizontally hinged **oven** doors shall withstand the thermal shock liable to occur in normal use.

Compliance is checked by the following test.

The appliance is operated as specified in Clause 11. The door is then opened and 0,2 l of water having a temperature of $15\text{ °C} \pm 5\text{ °C}$ is poured within 5 s onto the centre of the glass panel.

The test is not carried out after the cleaning cycle of **pyrolytic self-cleaning ovens**.

The glass shall not fracture.

22 Construction

This clause of Part 1 is applicable except as follows.

22.7 Addition:

All **pressure regulators** and **pressure-relief devices** of **pressure steam ovens** are rendered inoperative and the door is closed. The pressure is gradually increased hydraulically to two times the rated **cooking pressure**. The container shall not rupture.

22.40 Addition

Hobs shall not be controlled by a **remote operation**.

NOTE Remote operation includes, for example switching-on, switching-off and changing the control setting. (C)

22.51 Addition:

It is not necessary to manually adjust to the setting for **remote operation** in order to switch the appliance off.

22.101 Hobs shall be constructed so that **hob elements** are prevented from rotating about a vertical axis and are adequately supported in all positions of adjustment of their supports.

If a **hob element** is clamped by a nut on a central stud, an additional means is required to prevent its rotation.

Hobs with **detachable hob elements** shall be constructed so that damage is unlikely to occur while the **hob elements** are being removed or replaced.

Compliance is checked by inspection.

22.102 Timers intended to delay the operation of a heating element shall not control a radiant **grill**, unless the **grill** is thermally controlled and incorporated in an **oven** or other compartment. Delayed start timers shall not control a **hob element**.

Compliance is checked by inspection.

22.103 Oven vents shall be constructed so that any moisture or grease discharged through them cannot affect **clearances** and **creepage distances** between **live parts** and other parts of the appliance.

Compliance is checked by inspection.

22.104 Steam ovens shall be constructed so that steam vents and ducts are unlikely to become blocked during normal use.

Pressure relief devices that operate during the tests of 19.4 and 22.7 shall have an inlet aperture at least 5 mm in diameter or 20 mm² in area with a width of at least 3 mm. The area of the aperture at the outlet shall not be less than that of the aperture at the inlet.

Compliance is checked by inspection and measurement.

22.105 Built-in ovens shall only be vented through the front, unless provision is made for venting through a duct.

Compliance is checked by inspection.

22.106 Grills shall be constructed so that grill pans can be easily positioned without jamming.

The grill pans shall not fall from the support when moved sideways.

Compliance is checked by inspection and by manual test.

22.107 Pyrolytic self-cleaning ovens shall switch off automatically at the end of the cleaning process and require a manual operation to start another cleaning cycle.

Compliance is checked by inspection.

22.108 Pyrolytic self-cleaning ovens shall be constructed so that opening and closing of the door does not impair the interlock system or damage the door seal.

Compliance is checked by the following test.

The door is opened at least 10 cm and is then closed by applying a force of 90 N to the handle. This operation is carried out 5 000 times. Every 1 000 cycles, the interlock system for the self-cleaning function is operated.

After the test, the interlock system shall be fit for further use and the door seal shall not be damaged.

22.109 Pyrolytic self-cleaning ovens shall incorporate an interlock so that access to the **oven** cannot be gained when the temperature in the centre of the **oven** exceeds 350 °C, even if the interlock is defective.

Compliance is checked by inspection and by the following test.

*The **oven** is supplied at **rated voltage** and operated under cleaning conditions, after which it is allowed to cool. While the temperature in the centre of the **oven** exceeds 350 °C, a force of 90 N is applied to levers and handles, and a torque of 2 Nm is applied to rotary knobs. It shall not be possible to open the door.*

The test is repeated with any defect that may be expected in normal use applied to the interlock system, including interruption of the supply, only one defect being simulated at a time. Fault conditions applied during the tests of Clause 19 are not repeated.

NOTE Examples of defects are the breakage of a spring, or a gravity-operated part failing to drop into position.

22.110 Pyrolytic self-cleaning ovens shall be constructed so that ignitable gases cannot be discharged through vents during the cleaning process.

Compliance is checked by the following test.

A mixture of 30 g of gravy that consists of two-thirds by mass of beef extract and one-third water, and 15 g of hydrogenated oil shortening is spread evenly over the interior of the oven including the door. The oven is operated for 3 h at the maximum setting of the thermostat.

The oven is then operated under cleaning conditions and attempts are made to ignite gases that may be discharged through vents by bursts of sparks. The sparks are approximately 3 mm long, each spark having an energy of at least 0,5 J.

The sparks are applied when the temperature in the centre of the oven reaches 300 °C and at each subsequent temperature rise of 50 K. The electrodes used to produce the sparks are moved in and around the vents through which gases may be discharged.

There shall be no continuous burning of gases.

If the oven incorporates a heating element intended to eliminate smoke, the test is repeated with this heating element disconnected if the temperature in the centre of the oven exceeds 450 °C under cleaning conditions.

22.111 Pyrolytic self-cleaning ovens shall be constructed so that there is no risk of emission of flames during the cleaning process.

Compliance is checked by the following test.

A suitable vessel containing 100 g of salt-free butter is placed on the centre of the oven floor.

The electrodes of a spark generator are positioned approximately 7,5 cm above the surface of the butter.

The oven is then operated under cleaning conditions and bursts of sparks are produced. The sparks are approximately 3 mm long, each spark having an energy of at least 0,5 J. The sparks are generated when the temperature in the centre of the oven reaches 300 °C and at each subsequent temperature rise of 50 K.

There shall be no emission of flames through door seals, vents or other openings.

22.112 Hobs shall be constructed so that hinged lids cannot close accidentally.

Compliance is checked by inspection and by manual test.

This requirement is not applicable if the hinge incorporates a click stop or similar means, or if the lid can be opened through an angle of at least 100°, when the appliance is placed against a wall.

22.113 Hobs shall be constructed so that inadvertent operation of **touch controls** is unlikely if this could give rise to a hazardous situation due to

- spillage of liquids, including that caused by a vessel boiling over;
- a damp cloth placed on the control panel.

*Compliance is checked by the following test, the appliance being supplied at **rated voltage**. The test is carried out with each **hob element** energized in turn and then without energizing any **hob elements**.*

Sufficient water to completely cover the control panel to a depth not exceeding 2 mm, with a minimum of 140 ml, is poured steadily over the control panel so that bridging occurs between combinations of touch pads.

A white cloth having a mass between 140 g/m² and 170 g/m², and dimensions approximately 400 mm × 400 mm, is folded four times into a square pad, saturated with water and placed over the control panel in any position.

In case of doubt, different coloured cloths can be used.

There shall be no operation of any **hob element** for longer than 10 s.

During the test, it shall be possible to switch off the energized **hob element** by operating the **touch controls**, unless it switches off automatically.

22.114 Hobs having touch controls shall require at least two manual operations to switch on a **hob element** but only one operation to switch it off. However, additional **hob elements** may be switched on by a single manual operation. In this case, 1 min after all the **hob elements** have been switched off, two manual operations are required to re-energize one **hob element**. Touching the contact surface at the same point twice is not considered to be two manual operations.

Hobs having touch controls shall incorporate visual means to indicate when each **hob element** is energized.

Compliance is checked by inspection and by manual test.

22.115 Induction hob elements and induction wok elements, and other **hob elements** incorporating a **pan detector**, shall be constructed so that the **hob element** can only be operated when a vessel is placed on the **cooking zone**.

Compliance is checked by the following test, the appliance being supplied at **rated voltage**.

An iron bar 2 mm thick having dimensions approximately 100 mm × 20 mm is placed in the most unfavourable position on each **cooking zone** in turn. The controls are adjusted to their highest setting.

For **induction hob elements and induction wok elements**, the temperature rise of the bar shall not exceed 35 K. Other **hob elements** shall not operate.

22.116 Hob elements incorporating a **pan detector** shall be constructed so that the **hob element** is not switched on by the vessel if it has been removed for more than 10 min.

Compliance is checked by manual test.

22.117 In appliances incorporating a **pan detector**, a visual means shall indicate when the control for the **hob element** is not switched to the **off position**.

Compliance is checked by inspection.

22.118 It shall not be possible to operate a **grill** while the plug of a **supply cord** is engaged in a socket-outlet located directly above the door.

Compliance is checked by inspection and by manual test.

22.119 Cooking ranges incorporating a retractable deflector to prevent excessive temperatures on control knobs shall be constructed so that the user is unlikely to touch hot surfaces of the deflector when operating the controls.

Compliance is checked by measuring the distance between the deflector in its extended position and that part of the control knob touched in normal use. It shall be at least 25 mm, or the temperature rise of those parts within 25 mm of the knob shall not exceed the limits for handles, knobs, grips and similar parts held for short periods only, as specified in Table 3.

22.120 Outer glass panels of **oven** doors and glass in hinged lids of hobs shall be made from

- glass that breaks into small pieces when it fractures; or
- glass that is not released or dropped from its normal position when broken.

For glass that breaks into small pieces when it fractures, compliance is checked by the following test which is performed on two samples.

Frames or other parts attached to the glass panels to be tested are removed and the glass is placed on a rigid horizontal flat surface.

NOTE The edges of the sample to be tested are contained within a frame of adhesive tape in such a manner that the broken pieces remain in place after breakage but without hindering expansion of the sample.

The sample under test is broken by means of a test punch having a head with a mass of 75 g \pm 5 g and a conical tungsten carbide tip with an angle of 60° \pm 2°. The punch shall be positioned approximately 13 mm in from the longest edge of the glass at the midpoint of that edge. The punch is then hit by a hammer so that the glass breaks.

A transparent mask of 50 mm \times 50 mm is placed on the fractured glass except within a peripheral margin of 25 mm from the edge of the sample and a semi-circular area having a radius of 100 mm from the point of impact.

The assessment shall be undertaken on at least two areas of the sample, and the areas chosen shall contain the largest particles.

The number of crackfree particles within the mask are counted and for each assessment shall not be less than 60.

In the case of curved glass, plane pieces of the same material can be used for the test.

For glass that is not released or dropped from its normal position when broken, compliance is checked by breaking the glass when mounted in its normal position in the appliance by means of a test punch having a head with a mass of 75 g \pm 5 g and a conical tungsten carbide tip with an angle of 60° \pm 2°. The punch shall be positioned approximately 13 mm in from the longest edge of the glass at the midpoint of that edge. The punch is then hit by a hammer so that the glass breaks.

At the conclusion of this test, the glass shall not be broken or cracked such that pieces are released or dropped from their normal position.

22.121 Glass panels of **oven** doors that are intended to be removed by the user for cleaning shall be constructed so that they cannot be fixed in an incorrect orientation.

Compliance is checked by inspection and by manual test.

22.122 Ovens with a capacity exceeding 20 l and having withdrawable shelves shall be fitted with stops or a rest position to prevent the inadvertent withdrawal of the shelves. This requirement does not apply to shelves that are designed to contain liquids, such as roasting trays and the like.

NOTE Rest position allows the shelf to be withdrawn with a single action whilst having a moment in the action when the shelf is temporarily stopped and the same action needs to be continued to finalise the withdrawal of the shelf. Stop position requires a further action (e.g. lifting) to finalise the withdrawal of the shelf to overcome the temporary stop.

The shelves shall be capable of being withdrawn so that when fully extended to the rest position or the maximum distance allowed by the stops, the front edge of the shelves extends beyond the plane of the inside front surface of the oven door in the closed position by a distance of not less than 160 mm.

The shelves shall also be constructed to prevent cooking dishes or the like, from sliding over the rear edge.

Compliance is checked by inspection and by manual test.

22.123 Appliances incorporating at least one **hob element** shall be designed so that it is possible to switch off any energized **hob element** in the case of failure of any **electronic component**.

Compliance is checked by the following test:

*The appliance is operated under the conditions specified in Clause 11 but supplied at **rated voltage**.*

*The fault conditions in a) to g) of 19.11.2 are then considered and, if necessary, applied one at a time to the **electronic circuit**.*

*It shall be possible to switch off any energized **hob element** during the test.*

NOTE If a **pan detector** is incorporated, a suitable vessel is placed on the **cooking zone**.

*If the **electronic circuit** is programmable, the software shall contain measures to control the fault/error conditions specified in Table R.1 and is evaluated in accordance with the relevant requirements of Annex R.*

22.124 Appliances incorporating at least one **hob element** shall be designed so that the **hob element** does not become energized unintentionally in case of any **electronic component** being rendered inoperative.

Compliance is checked by the following test:

*The appliance is operated under the conditions specified in Clause 11 with all individual **hob elements** switched off, the appliance being supplied at **rated voltage**.*

*The fault conditions in a) to g) of 19.11.2 are then considered and, if necessary, applied one at a time to the **electronic circuit**.*

*There shall be no operation of any **hob element** for longer than 10 s.*

NOTE If a **pan detector** is incorporated; a suitable vessel is placed on the **cooking zone**.

*If the **electronic circuit** is programmable, the software shall contain measures to control the fault/error conditions specified in Table R.1 and is evaluated in accordance with the relevant requirements of Annex R.*

22.125 Pressure steam ovens shall incorporate a **non-self resetting pressure relief device** that prevents excessive pressure.

Compliance is checked by operating the appliance under normal operation with pressure regulators and temperature controls rendered inoperative.

The pressure relief device shall operate during this test so as to prevent the internal pressure exceeding the rated cooking pressure by more than 20 %.

22.126 The **pressure relief device** in **steam ovens** shall be positioned or constructed so that its operation does not cause injury to persons or damage to surroundings. Its construction shall be such that it cannot be made inoperative or set to a higher relief pressure.

Compliance is checked by inspection and the tests of Clause 11.

22.127 The operating pressure of **pressure steam ovens** shall not exceed the **rated cooking pressure** during **normal operation**.

Compliance is checked by measuring the operating pressure during the test of Clause 11. The measured pressure shall not exceed the rated cooking pressure.

22.128 Means provided to allow drainage of water from cooking compartments of **steam ovens** shall discharge the water in such a manner that electrical insulation is not affected.

Compliance is checked by inspection and by manual test.

22.129 Pressure steam ovens shall incorporate vacuum release means to prevent a partial vacuum forming.

Compliance is checked by inspection.

22.130 Emptying devices such as drain plugs for emptying hot liquids from a **steam oven** shall be constructed so that they cannot be opened inadvertently. This requirement is considered to be met when the emptying device handle is such that, when released, it returns the emptying device automatically to the closed position; or it is of the wheel type; or it is placed in a recess such that it cannot be placed in the open position by means of test probe B of IEC 61032 using a single action.

Compliance is checked by inspection and by manual test.

22.131 Steam ovens shall be constructed such that there is no spillage of water or sudden jets of steam or hot water likely to expose the user to a hazard when the appliance is used in accordance with the instructions

If jets of steam or liquids are emitted through **protective devices**, the electrical insulation shall not be affected or the user exposed to a hazard.

Compliance is checked by inspection during the tests of Clause 11.

22.132 Pressure steam ovens shall be constructed so that the door cannot be opened while the pressure within the pressurised cooking compartment is excessive. They shall incorporate a means to release the pressure to a value such that the door can be opened without risk.

Compliance is checked by the following test.

The **pressure steam oven** is operated as specified in Clause 11 until the **pressure regulator** operates for the first time.

The **pressure steam oven** is then disconnected from the supply and the pressure allowed to decrease until the pressure is 4 kPa. A force of 100 N is applied to the most unfavourable point where the door or its handle can be gripped. It shall not be possible to open the door.

The internal pressure is then gradually reduced, the force of 100 N being maintained. There shall be no hazardous displacement of the door when it is released.

This test is not carried out on **pressure steam ovens** when the door is secured by screw clamps or other devices that ensure that the pressure is automatically reduced in a controlled manner before the door can be opened.

22.133 The hazard created by **hobs elements** having **off positions** that are not visible during a mains voltage interruption shall be obviated as far as is practicable.

Compliance is checked by inspection and by the following test.

The appliance is operated under the conditions of Clause 11. The main voltage is interrupted for 10 min and then restored. On restoration of the power supply, none of the **hob elements** shall be re-energized.

A manual operation shall be required to re-energise the **hob elements**.

22.134 For appliances incorporating at least one **hob element**, other than an **induction hob element** or an **induction work element**, controlled by an **electronic circuit**, safety shall not be impaired in the event of a fault in the **electronic circuit**.

Compliance is checked by the following test:

The appliance is operated under the conditions specified in Clause 11 but supplied at **rated voltage**.

The fault conditions in a) to g) of 19.11.2 are applied one at a time to the **electronic circuit** controlling the duty cycle for each **hob element** in turn.

The control setting shall not change to a higher setting for longer than 2 min.

The software used to comply with the requirement shall contain measures to control the fault/error conditions specified in Table R.1 and is evaluated in accordance with the relevant requirements of Annex R.

22.135 Ovens intended for use on board ships shall withstand the pulses to which they may be subjected.

Compliance is checked by carrying out the half-sine pulse tests specified in IEC 60068-2-27 under the following conditions.

The appliance is fastened in its normal position of use to a shock-testing machine by means of straps around the enclosure.

The type of pulse is a half-sine pulse and the severity is as follows.

- application of the half-sine pulse is in all 3 axes;
- peak acceleration: 250 m/s²,

- duration of each half-sine pulse: 6 ms;
- number of half-sine pulses in each direction: $1\ 000 \pm 10$.

The appliance shall show no damage that could impair compliance with 8.1, 16.3, Clause 29 and connections shall not have worked loose.

22.136 Ovens intended for use on board ships shall withstand the vibrations to which they may be subjected.

Compliance is checked by carrying out the vibration tests specified in IEC 60068-2-6 under the following conditions.

The appliance is fastened in its normal position of use upon a vibration table by means of straps around the enclosure. The type of vibration is sinusoidal and the severity is as follows:

- direction of vibration is vertical and horizontal;
- amplitude of vibration: 0,35 mm;
- sweep frequency range: 10 Hz to 150 Hz;
- duration of the test: 30 min.

The appliance shall show no damage that could impair compliance with 8.1, 16.3, Clause 29 and connections shall not have worked loose.

22.137 Ovens intended for use on board ships shall have means to reliably close each door, drawer, or other sliding or hinged part with a latch.

Compliance is checked by inspection and by the following test.

A force of 50 N is applied in an attempt to open the latched door, drawer, or other sliding or hinged part. The force is applied in the most onerous position and direction.

The door, drawer, or other sliding or hinged part shall not open.

23 Internal wiring

This clause of Part 1 is applicable except as follows.

23.3 Addition:

The requirement also applies if parts of a **cooking range** are folded onto the **hob surface**, or separated from their normal position, for transportation purposes.

24 Components

This clause of Part 1 is applicable except as follows.

24.1.3 Addition:

Switches controlling **hob elements** are subjected to 30 000 cycles of operation.

24.1.4 Addition:

- energy regulators
 - for automatic action 100 000
 - for manual action 10 000
- **self-resetting thermal cut-outs**
 - for heating elements of glass-ceramic hobs 100 000
 - for heating elements of other **hobs** 10 000
- **thermostats** controlling the cleaning process in pyrolytic self-cleaning ovens 3 000

24.101 Thermostats and energy regulators incorporating an **off position** shall not switch on as a result of variations in ambient temperatures.

Compliance is checked by the following test that is carried out on three samples of the control.

The control, adjusted to the **off position**, is placed for 2 h in an ambient temperature of -20_{-5}^0 °C, and then at

- t °C, where t is the temperature according to the T-marking;
- 55 °C, for controls without a T-marking.

During the test, the **off position** shall be maintained.

A test voltage of 500 V is applied across the contacts for 1 min. No breakdown shall occur.

24.102 Socket-outlets incorporated in **cooking ranges** shall be single-phase, incorporate an earthing contact and have a rated current not exceeding 16 A. Both poles shall be protected by fuses or miniature circuit-breakers having a rated current not exceeding the rated current of the socket-outlet. They shall be placed behind a **non-detachable cover**, however the actuating member of miniature circuit-breakers may be accessible. If the **cooking range** is intended to be permanently connected to fixed wiring or is fitted with a polarized plug, the neutral pole need not be protected. A **non-detachable cover** is not required if fuses become accessible after opening a drawer or other compartment.

Compliance is checked by inspection.

25 Supply connection and external flexible cords

This clause of Part 1 is applicable except as follows.

25.3 Addition:

Hobs, built-in ranges and **built-in ovens** may be connected to the supply mains before the appliance is installed.

25.14 Addition:

For **temperature-sensing probes**, the total number of flexings is 5 000. Probes with circular-section cords are turned through 90° after 2 500 flexings.

26 Terminals for external conductors

This clause of Part 1 is applicable.

27 Provision for earthing

This clause of Part 1 is applicable.

28 Screws and connections

This clause of Part 1 is applicable.

29 Clearances, creepage distances and solid insulation

This clause of Part 1 is applicable except as follows.

29.2 Addition:

- ☐ – The macroenvironment in a domestic kitchen is pollution degree 2.
- The microenvironment inside the appliance with respect to the positioning of the insulation may be pollution degree 2 or 3 depending on the design and the pollution produced by operation of the appliance itself.

NOTE Z1 The second dashed item does not exclude the possibility to accept pollution degree 1, where precautions have been taken to protect the insulation. [1]

29.3 Addition:

This requirement does not apply to the sheath of a **visibly glowing heating element** inaccessible to test probe 41 of IEC 61032.

30 Resistance to heat and fire

This clause of Part 1 is applicable except as follows.

30.2 Addition:

For **induction wok elements, grills and griddles** that do not incorporate a timer, 30.2.2 is applicable. For other appliances, 30.2.3 is applicable.

31 Resistance to rusting

This clause of Part 1 is applicable except as follows.

Addition:

For **ovens** intended for use on board ships compliance is checked by the salt mist test Kb of IEC 60068-2-52,

- for **open deck** use severity 1 is applicable;
- for **dayrooms** use severity 2 is applicable.

The coatings of metal parts are prepared for the test as follows:

Five scratches are made at least 5 mm apart and at least 5 mm from the edges of the relevant parts to be tested.

The test pin of Subclause 21.2 is used for the test. The pin is held at an angle of 80° to 85° to the horizontal and loaded so that the force exerted to its axes is $10\text{ N} \pm 0,5\text{ N}$. The scratches are made by drawing the pin along the surface at a speed of approximately 20 mm/s.

After the test, the appliance shall not have deteriorated to such an extent that compliance with this standard, in particular with Clauses 8 and 27, is impaired. The coating shall not be broken and shall not have detached from the metal surface.

32 Radiation, toxicity and similar hazards

This clause of Part 1 is applicable except as follows.

32.101 Pyrolytic self-cleaning ovens shall be constructed so that carbon monoxide is not discharged in hazardous quantities during cleaning.

Compliance is checked by the following test.

Twice the quantity of the mixture specified in 19.11.2 is spread evenly over the interior of the **oven**, including the door. The **oven** is supplied at rated **voltage** and operated for 3 h in the conventional heating mode at the maximum setting of the **thermostat**. If a conventional heating mode is not available, then the forced air heating mode is used.

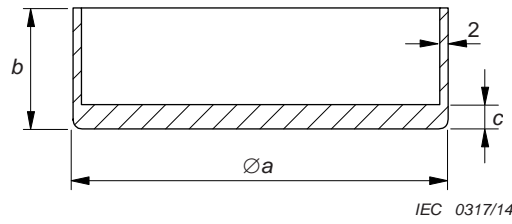
The **oven** is then allowed to cool to room temperature and placed in a closed test room having a volume of 20 m^3 to 25 m^3 , in which the air is circulated by a low-speed fan. The **oven** is operated under cleaning conditions and the concentration of carbon monoxide is measured 1 m above the centre of the floor.

The concentration of carbon monoxide shall not exceed 0,015 %.

If the **oven** incorporates a heating element intended to eliminate smoke, the test is repeated with this heating element disconnected, unless the cleaning process can only be performed when the heating element is in circuit.

If compliance relies on the operation of an **electronic circuit** to calculate the concentration of the carbon monoxide, the test is repeated with the fault conditions in a) to g) of 19.11.2 applied one at a time to the **electronic circuit**.

If the **electric circuit** is programmable, the software shall contain measures to control the fault/error conditions specified in Table R.1 and is evaluated in accordance with the relevant requirements of Annex R.

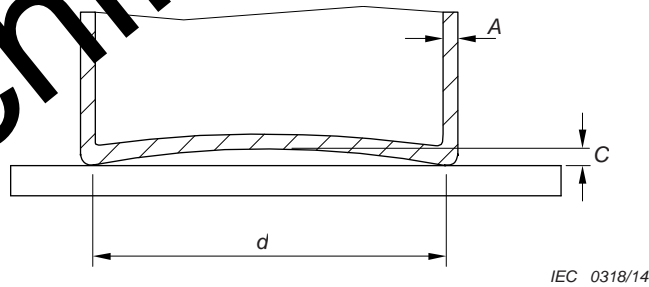


Dimension in millimetres

Diameter of cooking zone mm	Approximate dimension		
	a mm	b mm	c mm
≤ 110	110	140	8
>110 ≤145	145	140	8
>145 ≤180	180	140	9
>180 ≤220	220	120	10
>220 ≤300	300	100	10

The maximum concavity of the base of the vessel is to be not more than 0,05 mm. The base of the vessel is not to be convex.

Figure 101 – Vessel for testing hob elements



Key

A wall thickness, 2 mm ± 0,5 mm

C maximum concavity

d diameter of the flat area of the base

thickness of base

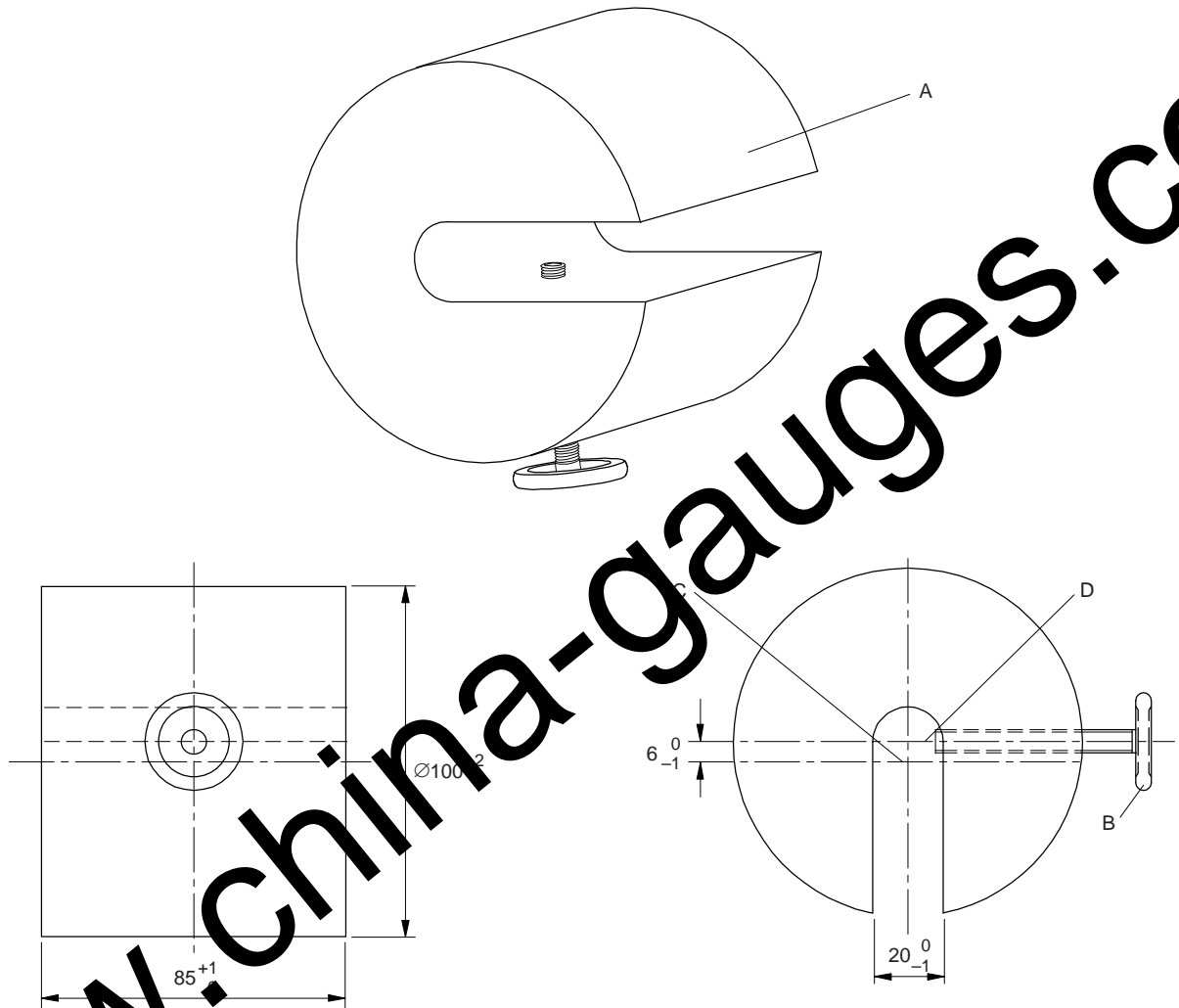
$d < 145$, 2mm ± 0,5 mm

$d = 145$ to 240, 3mm ± 0,5 mm

$d > 240$, 5mm ± 0,5 mm

The vessel is made of low carbon steel having a maximum carbon content of 0,08 %. It is cylindrical without metallic handles or protrusions. The diameter of the flat area of the base of the vessel is to be at least the diameter of the cooking zone. The maximum concavity of the base of the vessel is 0,006 d. The base of the vessel is not to be convex.

Figure 102 – Vessel for testing induction hob elements



IEC 0319/14

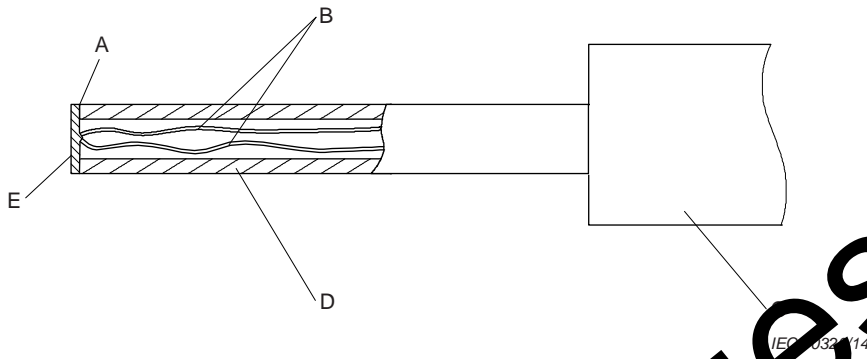
Dimensions in millimetres

Key

- A load, mass approximately 4,5 kg
- B fixing screw
- C axis of load
- D axis of fixing screw

NOTE The load is positioned on the rotary spit so that the fixing screw contacts the diameter of the spit.

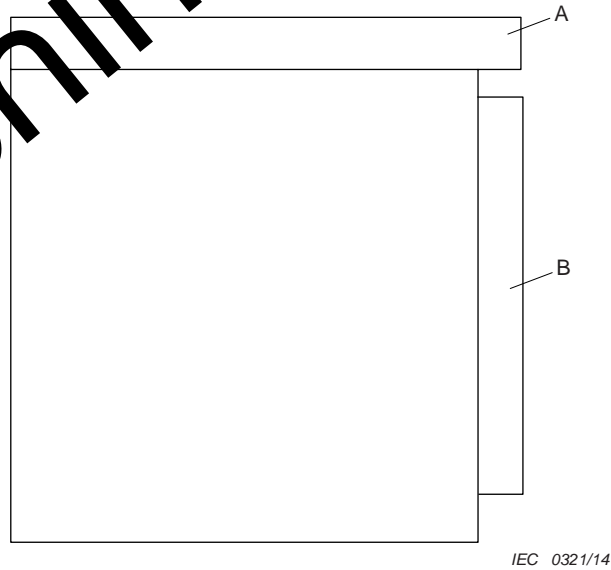
Figure 103 – Load for testing rotating spits



Key

- A adhesive
- B thermocouple wires 0,3 mm diameter to IEC 60584-1 Type K (chromel-alumel)
- C handle arrangement permitting a contact force of $4\text{ N} \pm 1\text{ N}$
- D polycarbonate tube: inside diameter 3 mm, outside diameter 5 mm
- E flat tinned copper disc: 5 mm diameter, 0,5 mm thick

Figure 104 – Probe for measuring surface temperatures



Key

- A Work surface
- B Oven

Figure 105 – Arrangement of work surface for spillage test on built-in ovens

Annexes

The annexes of Part 1 are applicable except as follows:

Annex R (normative)

Software evaluation

This annex of Part 1 is applicable except as follows:

R.2.2.5 *Modification:*

For programmable **electronic circuits** with functions requiring software incorporating measures to control the fault/error conditions specified in Table R.1 or Table R.2, detection of a fault/error shall occur before compliance with Clause 19 and subclauses 22.123, 22.124, 22.134 and 32.101 is impaired.

R.2.2.9 *Modification:*

The software and safety-related hardware under its control shall be initialized and shall terminate before compliance with Clause 19 and subclauses 22.123, 22.124, 22.134 and 32.101 is impaired.

www.china-gauges.com

Bibliography

The bibliography of Part 1 is applicable except as follows.

Addition:

IEC 60335-2-9, *Household and similar electrical appliances – Safety – Part 2-9: Particular requirements for grills, toasters and similar portable cooking appliances*

IEC 60335-2-25, *Household and similar electrical appliances – Safety – Part 2-25: Particular requirements for microwave ovens, including combination microwave ovens*

www.china-gauges.com

www.china-gauges.com

www.china-gauges.com

British Standards Institution (BSI)

BSI is the national body responsible for preparing British Standards and other standards-related publications, information and services.

BSI is incorporated by Royal Charter. British Standards and other standardization products are published by BSI Standards Limited.

About us

We bring together business, industry, government, consumers, innovators and others to shape their combined experience and expertise into standards-based solutions.

The knowledge embodied in our standards has been carefully assembled in a dependable format and refined through our open consultation process. Organizations of all sizes and across all sectors choose standards to help them achieve their goals.

Information on standards

We can provide you with the knowledge that your organization needs to succeed. Find out more about British Standards by visiting our website at bsigroup.com/standards or contacting our Customer Services team or Knowledge Centre.

Buying standards

You can buy and download PDF versions of BSI publications, including British and adopted European and international standards, through our website at bsigroup.com/shop, where hard copies can also be purchased.

If you need international and foreign standards from other Standards Development Organizations, hard copies can be ordered from our Customer Services team.

Subscriptions

Our range of subscription services are designed to make using standards easier for you. For further information on our subscription products go to bsigroup.com/subscriptions.

With **British Standards Online (BSOL)** you'll have instant access to over 55,000 British and adopted European and international standards from your desktop. Available 24/7 and is refreshed daily so you'll always be up to date.

You can keep in touch with standards developments and receive substantial discounts on the purchase price of standards, both in single copy and subscription format, by becoming a **BSI Subscribing Member**.

PLUS is an updating service exclusive to BSI Subscribing Members. You will automatically receive the latest hard copy of your standards when they're revised or replaced.

To find out more about becoming a BSI Subscribing Member and the benefits of membership, please visit bsigroup.com/shop.

With a **Multi-User Network Licence (MUNL)** you are able to host standards publications on your intranet. Licences can cover as few or as many users as you wish. With updates supplied as soon as they're available, you can be sure your documentation is current. For further information, email bsmusales@bsigroup.com.

BSI Group Headquarters

389 Chiswick High Road London W4 4AL UK

Revisions

Our British Standards and other publications are updated by amendment or revision.

We continually improve the quality of our products and services to benefit your business. If you find an inaccuracy or ambiguity within a British Standard or other BSI publication please inform the Knowledge Centre.

Copyright

All the data, software and documentation set out in all British Standards and other BSI publications are the property of and copyrighted by BSI, or some person or entity that owns copyright in the information used (such as the international standardization bodies) and has formally licensed such information to BSI for commercial publication and use. Except as permitted under the Copyright, Designs and Patents Act 1988 no extract may be reproduced, stored in a retrieval system or transmitted in any form or by any means – electronic, photocopying, recording or otherwise – without prior written permission from BSI. Details and advice can be obtained from the Copyright & Licensing Department.

Useful Contacts:

Customer Services

Tel: +44 845 086 9001

Email (orders): orders@bsigroup.com

Email (enquiries): cservices@bsigroup.com

Subscriptions

Tel: +44 845 086 9001

Email: subscriptions@bsigroup.com

Knowledge Centre

Tel: +44 20 8996 7004

Email: knowledgecentre@bsigroup.com

Copyright & Licensing

Tel: +44 20 8996 7070

Email: copyright@bsigroup.com