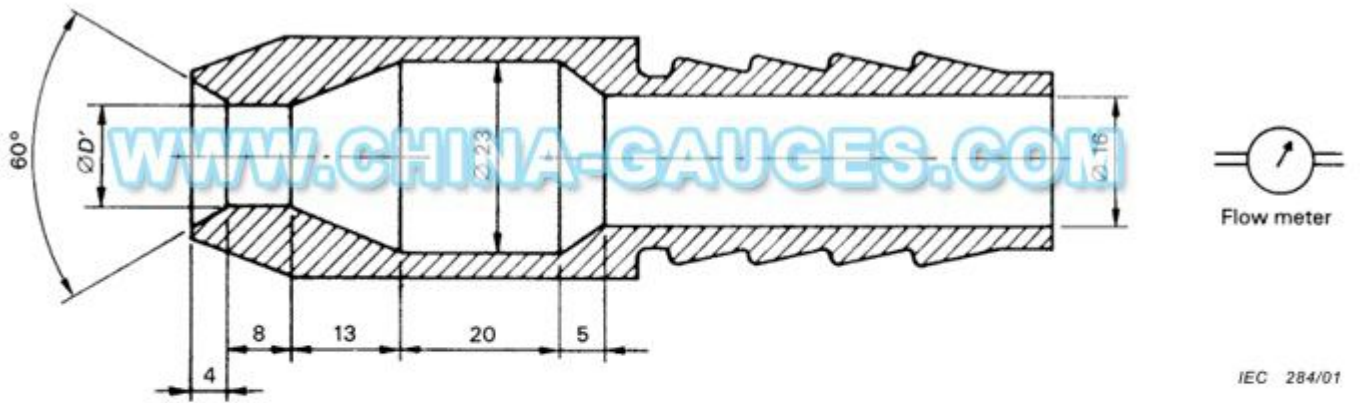




This tester is used for the verification test of the degree of protection to the risk of water penetration provided by the wrapper of equipment in fulfillment of **IPX5** according to the **IEC 60529**.

The device consists of a jet handle that is equipped with a pressure gauge and an easy-to-adjust flow valve. The interchangeable nozzles assemble easily to the jet handle. The nozzles are made from stainless steel.

Item	IPX5
Water supply	Water flow rate > 12.5L/min±5% clean water without inclusion. It can be achieved by the stainless steel water tank and pressurized equipment.
The nozzle diameter	6.3 mm
Water flow	12.5±0.625L/min, Flow meter is adjustable.
Testing time	Not less than 1 min/m <sup>2</sup> (not less than 3 mins)
Environment requirements	Dedicated IP waterproof test room whose width is more than 3m, With good function of inflow and drainage. Wall installation.
The distance from jet nozzle to enclosure	2.5~3m
Pressure Gauge	0 - 2.5 bar ( 0 - 0.25 MPa )
Reference standards	IEC60529,IEC60598-1,IEC60335-1,IEC60745-1
Nozzle Material	Stainless Steel
Include	Pressure gauge, Stainless steel nozzle IPX5, Valve for water flow regulation and shut off, Hose connector.



*Dimensions in millimetres*

$D' = 6,3$  for the test of 14.2.5 (second characteristic numeral 5)

**Figure 6 – Test device to verify protection against water jets (hose nozzle)**