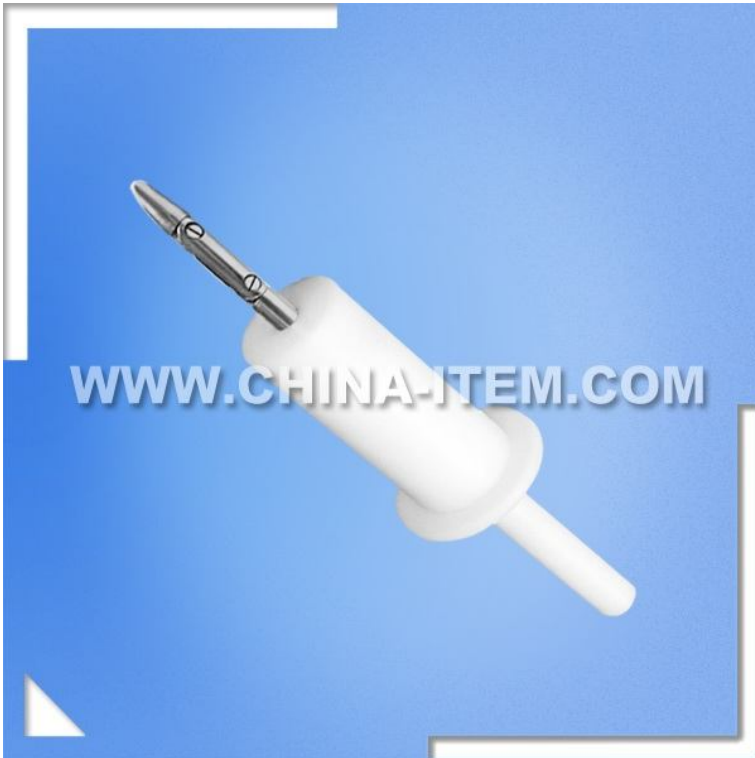


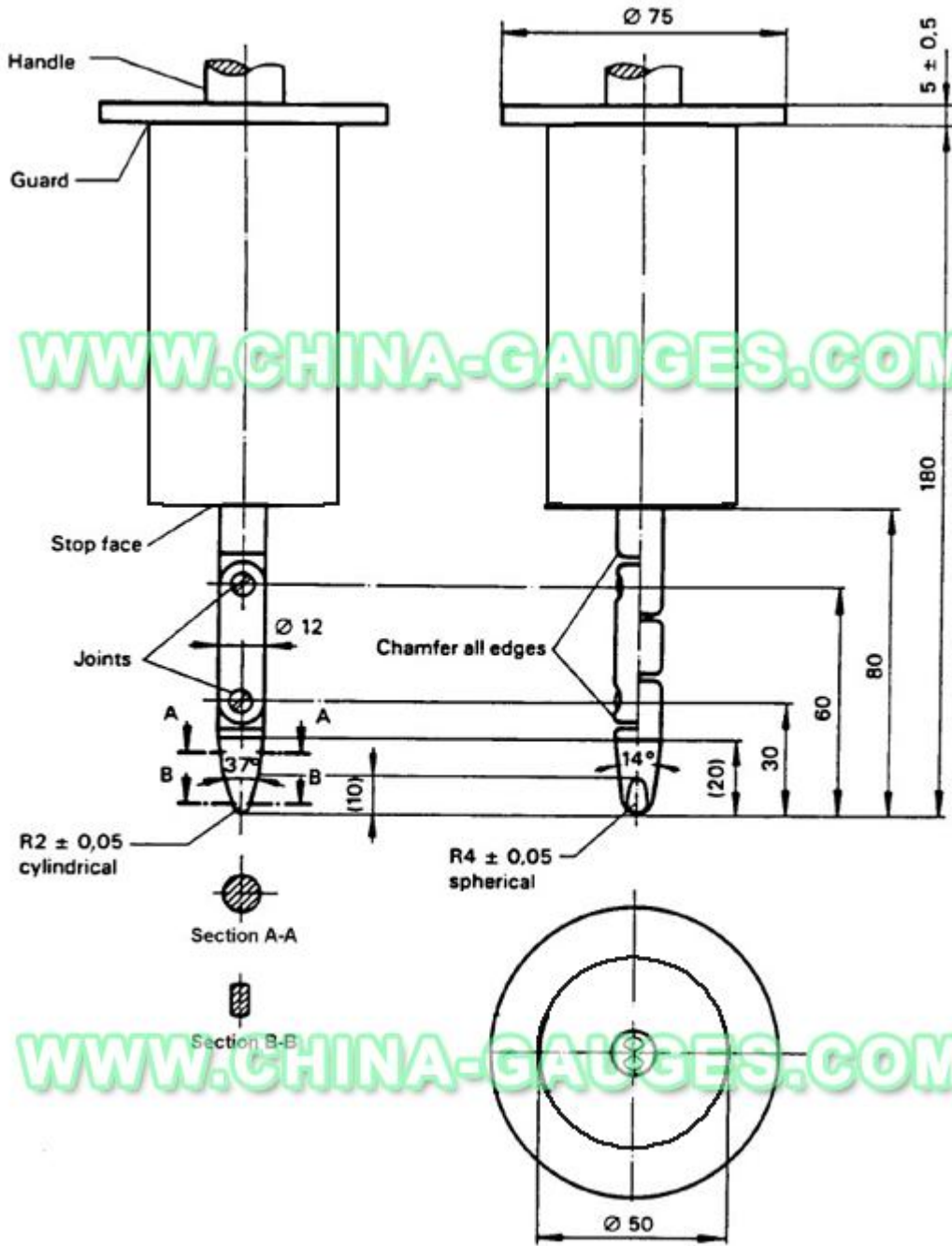


**Jointed Test Finger with Diameter 50 mm Circular Stop Face of IEC60335 20.2**



Item No.: LX-5002

The Test probe that is similar to test probe B of IEC 61032 but having a circular stop face with a diameter of 50 mm, instead of the non-circular face.



WWW.CHINA-GAUGES.COM

WWW.CHINA-GAUGES.COM