



1. Introduction:

- (1) Spring Impact Hammer Test Apparatus is strictly designed according to IEC60068-2-75.
- (2) After applying the impact with the hammer, the products is examined with accessibility probes to determine access to chock,energy,and injury hazards. Built in exact accordance to IEC/EN/UL/CSA and other standards.

2. Application:

The strike is automatically released when the release force threshold is reached.

Impact energy: 2 J

Allowable error: ±10%

The weight of impact element: 500g±5g

The power: <10N

The whole weight: 1500g±10g

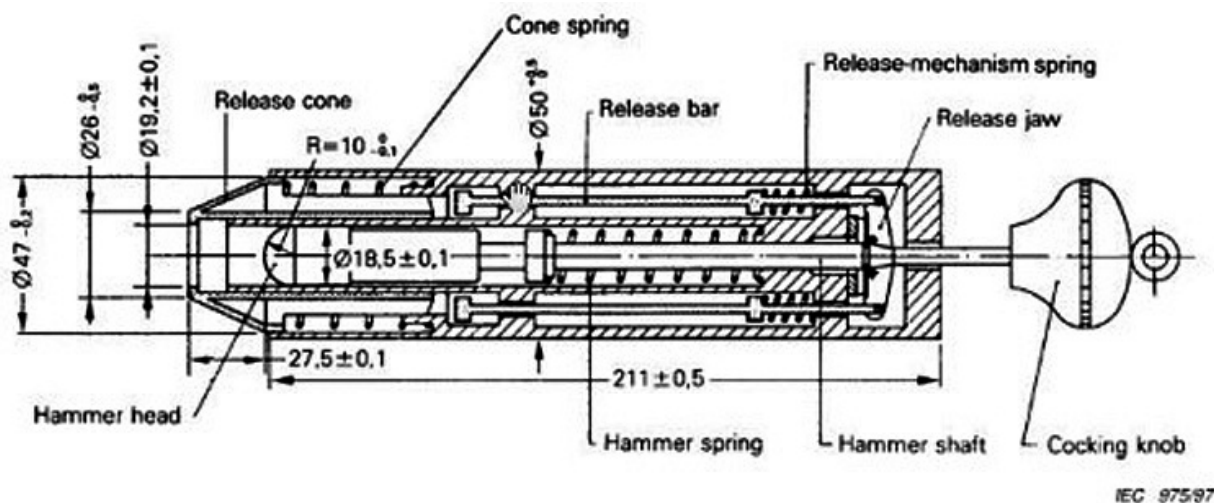


Figure E.1 – Spring hammer test apparatus