

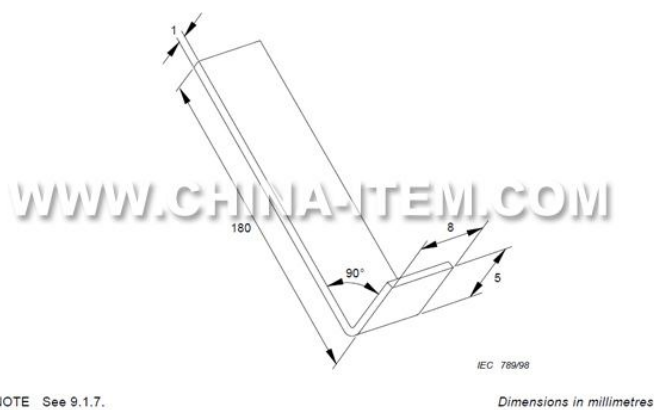


Test Hook Probe

Test Hook Probe is used prior to accessibility testing. This probe is put into vents and seams in the enclosure and pulled out with a 20N Force. The Test Hook probe meets international standards such as IEC and EN. This probe meets the requirement for IEC 60601 & IEC 60065.

Technical parameter:

Length	180mm
Width	5mm
Thickness	1mm
Material	stainless steel
Reference	IEC60065,IEC60601-1,UL.CSA



NOTE See 9.1.7.

Figure 4 – Test hook