

Protection of persons and equipment by enclosures — Probes for verification

The European Standard EN 61032:1998 has the status of a
British Standard

ICS 19.080

NO COPYING WITHOUT BSI PERMISSION EXCEPT AS PERMITTED BY COPYRIGHT LAW



National foreword

This British Standard is the English language version of EN 61032:1998. It is identical with IEC 61032:1997. It supersedes BS 3042:1992 which is withdrawn.

The UK participation in its preparation was entrusted to Technical Committee GEL/70, Protective enclosures of electrical apparatus, which has the responsibility to:

- aid enquirers to understand the text;
- present to the responsible international/European committee any enquiries on the interpretation, or proposals for change, and keep the UK interests informed;
- monitor related international and European developments and promulgate them in the UK.

A list of organizations represented on this committee can be obtained on request to its secretary.

From 1 January 1997, all IEC publications have the number 60000 added to the old number. For instance, IEC 27-1 has been renumbered as IEC 60027-1. For a period of time during the change over from one numbering system to the other, publications may contain identifiers from both systems.

Cross-references

Attention is drawn to the fact that CEN and CENELEC standards normally include an annex which lists normative references to international publications with their corresponding European publications. The British Standards which implement international or European publications referred to in this document may be found in the BSI Standards Catalogue under the section entitled "International Standards Correspondence Index", or by using the "Find" facility of the BSI Standards Electronic Catalogue.

A British Standard does not purport to include all the necessary provisions of a contract. Users of British Standards are responsible for their correct application.

Compliance with a British Standard does not of itself confer immunity from legal obligations.

Summary of pages

This document comprises a front cover, an inside front cover, the EN title page, pages 2 to 27 and a back cover.

This British Standard, having been prepared under the direction of the Electrotechnical Sector Board, was published under the authority of the Standards Board and comes into effect on 15 May 1998

© BSI 1998

ISBN 0 580 29806 X

Amendments issued since publication

Amd. No.	Date	Text affected

EUROPEAN STANDARD
NORME EUROPÉENNE
EUROPÄISCHE NORM

EN 61032

February 1998

UDC 621.3-213-783.3:620.113
ICS 19.080

Supersedes HD 601 S1:1991

Descriptors: Electrical equipment, enclosure for electrical equipment, degree of protection, accident prevention, equipment protection, verification, range

English version

**Protection of persons and equipment by enclosures
Prôbes for verification
(IEC 61032:1997)**

Protection des personnes et
des matériels par les enveloppes
Calibres d'essai pour la vérification
(CEI 61032:1997)

Schutz von Personen und Ausrüstung
durch Gehäuse
Prüfsonden zum Nachweis
(IEC 61032:1997)

This European Standard was approved by CENELEC on 1998-01-01. CENELEC members are bound to comply with the CEN/CENELEC Internal Regulations which stipulate the conditions for giving this European Standard the status of a national standard without any alteration.

Up-to-date lists and bibliographical references concerning such national standards may be obtained on application to the Central Secretariat or to any CENELEC member.

This European Standard exists in three official versions (English, French, German). A version in any other language made by translation under the responsibility of a CENELEC member into its own language and notified to the Central Secretariat has the same status as the official versions.

CENELEC members are the national electrotechnical committees of Austria, Belgium, Czech Republic, Denmark, Finland, France, Germany, Greece, Iceland, Ireland, Italy, Luxembourg, Netherlands, Norway, Portugal, Spain, Sweden, Switzerland and United Kingdom.

CENELEC

European Committee for Electrotechnical Standardization
Comité Européen de Normalisation Electrotechnique
Europäisches Komitee für Elektrotechnische Normung

Central Secretariat: rue de Stassart 35, B - 1050 Brussels

© 1998 CENELEC - All rights of exploitation in any form and by any means reserved worldwide for CENELEC members.

Ref. No. EN 61032:1998 E

<http://www.china-gauges.com/>

Foreword

The text of document 70/82/FDIS, future edition 2 of IEC 61032, prepared by IEC TC 70, Degrees of protection by enclosures, was submitted to the IEC-CENELEC parallel vote and was approved by CENELEC as EN 61032 on 1998-01-01.

This European Standard supersedes HD 601 S1:1991.

The following dates were fixed:

- latest date by which the EN has to be implemented
at national level by publication of an identical
national standard or by endorsement (dop) 1998-10-01
- latest date by which the national standards conflicting
with the EN have to be withdrawn (dow) 1998-10-01

Annexes designated "normative" are part of the body of the standard.
Annexes designated "informative" are given for information only.
In this standard, annex ZA is normative and annexes A and B are informative.
Annex ZA has been added by CENELEC.

Endorsement notice

The text of the International Standard IEC 61032:1997 was approved by CENELEC as a European Standard without any modification.

CONTENTS

Clause	Page
1 General.....	4
1.1 Scope and object	4
1.2 General recommendations	4
2 Normative references	5
3 Definitions.....	5
3.1 Enclosure.....	5
3.2 Hazardous part	5
3.3 Access probe	6
3.4 Object probe	6
3.5 IP code probe	6
3.6 Other probe	6
3.7 Adequate clearance for protection against access to hazardous parts	6
4 Classification of test probes	6
5 List of test probes	7
6 Test probes.....	8
6.1 IP code probes.....	8
6.2 Other access probes	12
7 Design characteristics of test probes	19
 Annexes	
A Effect of tolerances of test probes on equipment and test results.....	20
B Rules for tolerancing of future test probes	26
ZA (normative) Normative references to international publications with their corresponding European publications	27

* 5 *

PROTECTION OF PERSONS AND EQUIPMENT BY ENCLOSURES – PROBES FOR VERIFICATION

1 General

1.1 Scope and object

This International Standard specifies details and dimensions of test probes intended to verify the protection provided by enclosures with regard to:

- protection of persons against access to hazardous parts inside the enclosure;
- protection of the equipment inside the enclosure against ingress of solid foreign objects.

The object of this International Standard is:

- to bring together in one publication object probes and access probes currently specified in other standards, together with any necessary new probes;
- to guide technical committees in the selection of test probes;
- to encourage those concerned to specify test probes in accordance with those already specified in this International Standard rather than modify details and dimensions;
- to limit the further proliferation of types of test probe.

1.2 General recommendations

When selecting probes, priority should be given to IP code probes.

The use of other probes, particularly probes which are not specified in this International Standard, should be limited to cases where the use of an IP code probe is for some reason impractical.

NOTE 1 – The selection of a test probe for a particular purpose is the responsibility of the relevant technical committees.

NOTE 2 – Technical committees wishing to develop new probes or to modify existing probes should submit proposals to technical committee 70 for amendment of this standard.

Application of the probes, test conditions, acceptance conditions and the procedure in case of conflicting test results are the responsibility of the relevant product committee.

Certificates based on test probes conforming to the first edition of IEC 61032 should remain valid.

2 Normative references

The following normative documents contain provisions which, through reference in this text, constitute provisions of this International Standard. At the time of publication, the editions indicated were valid. All normative documents are subject to revision, and parties to agreements based on this International Standard are encouraged to investigate the possibility of applying the most recent editions of the normative documents indicated below. Members of IEC and ISO maintain registers of currently valid International Standards.

IEC 60050(826): 1982, *International Electrotechnical Vocabulary (IEV) – Chapter 826: Electrical installations of buildings*

IEC 60529: 1989, *Degrees of protection provided by enclosures (IP Code)*

IEC 60536: 1976, *Classification of electrical and electronic equipment with regard to protection against electric shock*

ISO 4287-1: 1984, *Surface roughness – Terminology – Part 1: Surface and its parameters*

3 Definitions

For the purpose of this International Standard the following definitions apply:

3.1 Enclosure

A part providing protection of equipment against certain external influences and, in any direction, protection against direct contact [IEV 826-03-12]

NOTE – This definition taken from the International Electrotechnical Vocabulary (IEV) needs the following additional explanations:

- a) Enclosures provide protection of persons or livestock against access to hazardous parts.
- b) Barriers, shapes of openings or any other means – whether attached to the enclosure or formed by the enclosed equipment – suitable to prevent or limit the penetration of the specified test probes are considered as a part of the enclosure, except when they can be removed without the use of a key or tool.

(see 3.1 of IEC 60529).

3.2 Hazardous part

A part that is hazardous to approach or touch (see 3.5 of IEC 60529).

3.2.1 Hazardous live part

A live-part which, under certain conditions of external influences, can give an electric shock (see 3.5.1 of IEC 60529).

3.2.2 Hazardous mechanical part

A moving part, other than a smooth rotating shaft, that is hazardous to touch (see 3.5.2 of IEC 60529).

3.2.3 Hazardous hot or glowing part

A hot or glowing part that is hazardous to touch.

3.3 Access probe

A test probe simulating in a conventional manner a part of a person or a tool, or the like, held by a person to verify adequate clearance from hazardous parts (see 3.8 of IEC 60529).

3.4 Object probe

A test probe simulating a solid foreign object to verify the possibility of ingress into an enclosure (see 3.9 of IEC 60529).

3.5 IP code probe

A test probe to verify the degrees of protection specified in IEC 60529.

3.6 Other probe

A test probe, different from IP code probes.

3.7 Adequate clearance for protection against access to hazardous parts

A distance to prevent contact or approach of an access probe to a hazardous part (see 3.7 of IEC 60529).

NOTE – The requirements to verify adequate clearance are specified in IEC 60529.

4 Classification of test probes

Test probes are classified as follows:

- a) according to their designation
 - IP code probes;
 - other probes;
- b) according to the kind of protection they are intended to check
 - access probes;
 - object probes;
- c) according to the specific hazard they are intended to check
 - probes mainly intended to be used to verify the protection of persons against access to hazardous live parts or hazardous mechanical parts;
 - probes specifically intended to be used to verify the protection of persons against access to hazardous mechanical parts;
 - probes mainly intended to be used to verify the protection of persons against access to internal parts involving thermal hazard, for instance internal hot or glowing parts;
 - probes intended to be used to verify the protection of equipment against ingress of solid foreign objects.

5 List of test probes

The comparative list of test probes with their application is given in table 1. Other IEC publications should refer to a test probe of this standard by means of its code (column 2) and short description (column 4), without reproduction of the relevant figure (column 3).

Table 1 – List of test probes

1	2	3	4	5
Probe and application ³⁾	Probe code ¹⁾	Figure No.	Short description mm	Forces to be applied N
Access probes of IEC 60529 (IP code) to verify protection of persons against access to hazardous live parts or hazardous mechanical parts	A B C ²⁾ D ²⁾	1 2 3 4	– Sphere: Ø 50 with handle – Jointed test finger – Rod: Ø 2,5 – length 100 – Wire: Ø 1,0 – length 100	50 10 3 1
Object probes of IEC 60529 (IP code) to verify protection of equipment against ingress of solid foreign objects	1 2	5 6	– Sphere: Ø 50 – Sphere: Ø 12,5	50 30
Other access probes to verify protection of persons against access to hazardous live parts or hazardous mechanical parts	11 12 13 14 15 16 17 18 19	7 8 9 10 – – 11 12 13	– Unjointed test finger – Cylindrical pin: Ø 4 – length 50 – Conical pin: Ø 3 to 4 – length 15 – Bar: 3 × 1 – Deleted – Deleted – Wire: Ø 0,5 – Small finger probe: Ø 8,6 – length 57,9 – Small finger probe: Ø 5,6 – length 44	50 * * 20 – – * 10 10
Other access probes to verify protection of persons against access to hazardous mechanical parts	31 32 33	14 15 –	– Cone: Ø 110/60 – Rod: Ø 25 – Deleted	50 30 –
Other access probes to verify protection of persons against access to hot or glowing parts	41 42 43	16 – 17	– Probe: Ø 30 – Deleted – Bar: 50 × 5	* – *
* Without appreciable force.				
1) Letter codes and the single digit codes are related to the IP code. The first numeral of the two digit codes is related to the intended use of the probe as indicated at the beginning of the respective row. The second numeral denotes a serial number within the group.				
2) Test probes C and D are also used to verify the protection of equipment against ingress of solid foreign objects having a diameter of 2,5 mm or greater and 1 mm or greater respectively.				
3) The table lists probes and their main application only; there may be other applications as defined by the relevant product standard.				

6 Test probes

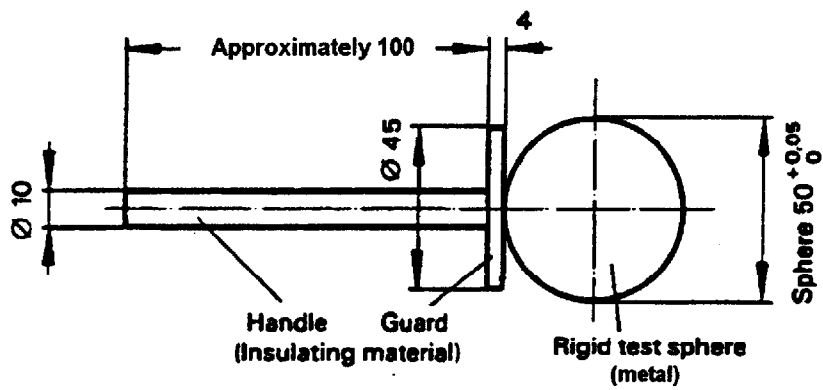
6.1 IP code probes

6.1.1 IP code probes are intended to verify

- the protection of persons against access to hazardous parts;
- the protection of the equipment against the ingress of solid foreign objects.

6.1.2 Access probes

a)

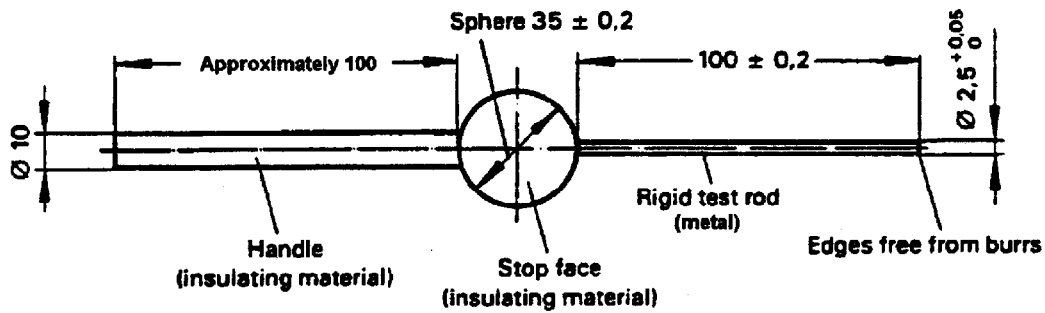


Dimensions in millimetres

This probe is intended to verify the protection of persons against access to hazardous parts. It is also used to verify the protection against access with the back of the hand.

Figure 1 – Test probe A

c)

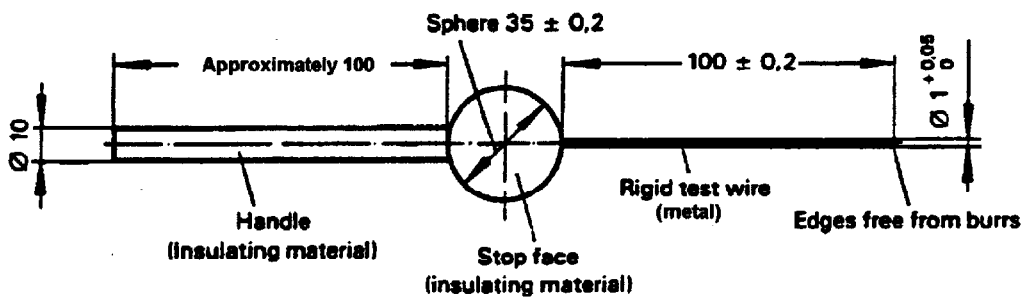


Dimensions in millimetres

This rod is intended to verify the protection of persons against access to hazardous parts. It is also used to verify protection against access with a tool.

Figure 3 – Test probe C

d)



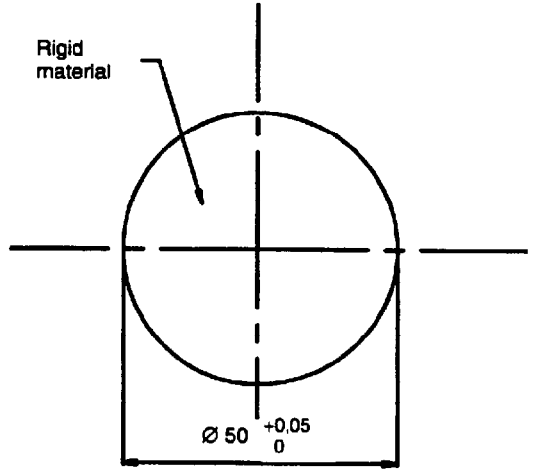
Dimensions in millimetres

This wire is intended to verify the protection of persons against access to hazardous parts. It is also used to verify the protection against access with a wire.

Figure 4 – Test probe D

6.1.3 Object probes

a)

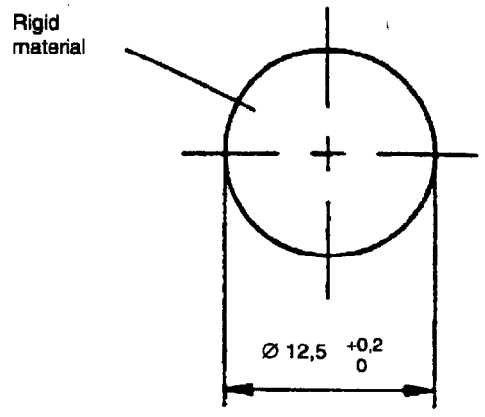


Dimensions in millimetres

This sphere is intended to verify the degree of protection of enclosures against ingress of solid foreign objects having a diameter of 50 mm or greater.

Figure 5 – Test probe 1

b)



Dimensions in millimetres

This sphere is intended to verify the degree of protection of enclosures against ingress of solid foreign objects having a diameter of 12,5 mm or greater.

Figure 6 – Test probe 2



S

6.2 Other access probes

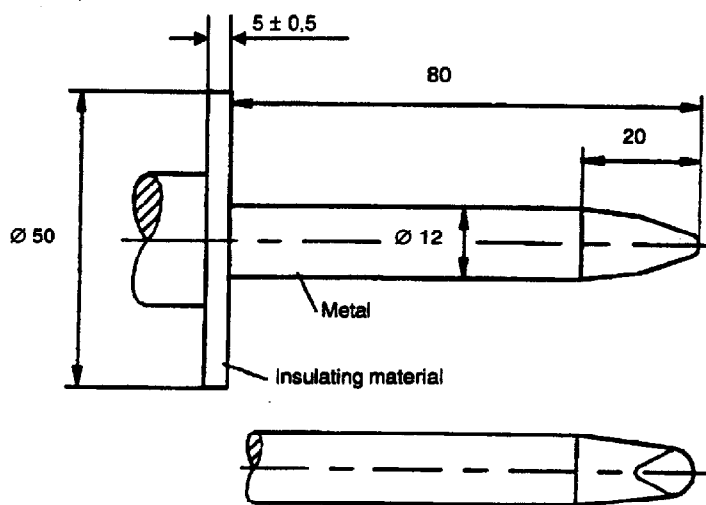
6.2.1 The probes quoted in 6.2.2 and 6.2.3 are used to cover particular requirements specified in the relevant product standards.

They should be chosen only where the use of IP code test probes is impractical.

6.2.2 Access probes to hazardous live parts or hazardous mechanical parts

Probes intended to verify the protection of persons against access to hazardous live parts or hazardous mechanical parts:

a)



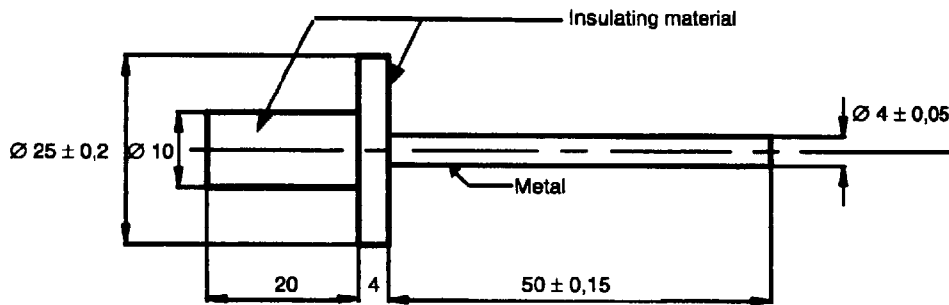
Dimensions in millimetres

For dimensions of the fingertip and tolerances: see figure 2.

This probe may be used to verify the protection of persons against access to hazardous parts, and to verify the mechanical strength of openings in the enclosure or internal barriers.

Figure 7 – Test probe 11

b)

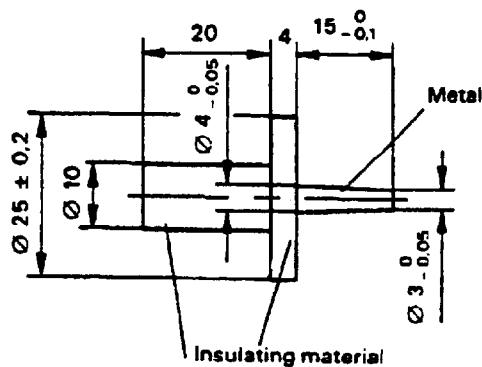


Dimensions in millimetres

This pin is intended to be used on appliances for verifying the inaccessibility of hazardous live parts or hazardous mechanical parts which are liable to be touched accidentally by a tool, for example a screwdriver or similar pointed object in normal use.

Figure 8 – Test probe 12

c)

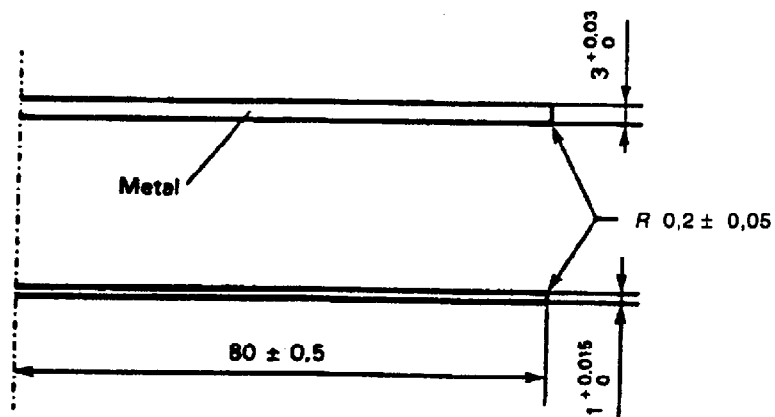


Dimensions in millimetres

This pin is intended to verify the protection against access to hazardous live parts in class 0 equipment and class II equipment (see IEC 60536).

Figure 9 – Test probe 13

d)

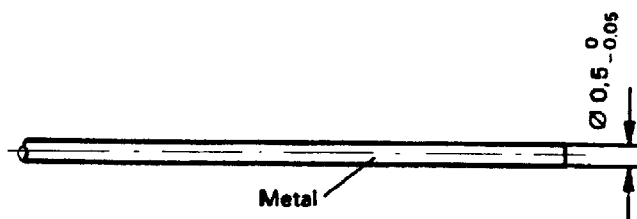


Dimensions in millimetres

This bar is intended to verify the protection against access to hazardous live parts of socket-outlets through shutters.

Figure 10 – Test probe 14

e)

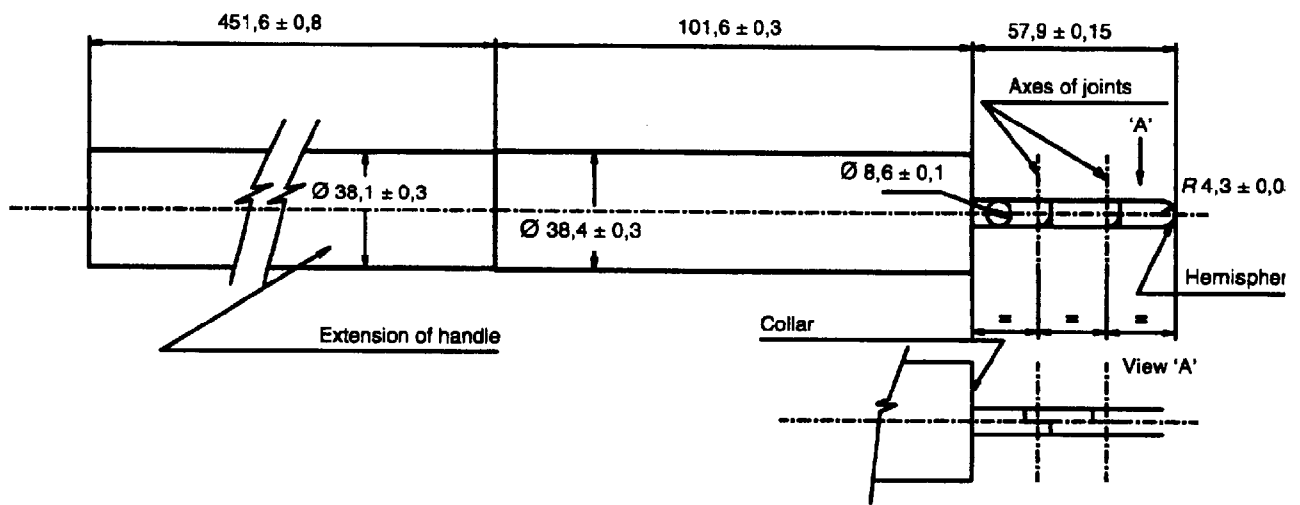


Dimensions in millimetres

This wire is intended to verify protection against access to hazardous live parts of electrical toys.

Figure 11 – Test probe 17

f)



Dimensions in millimetres

- Finger: metal material
- Handle: insulating material

The extension of the handle represents the arm of the child.

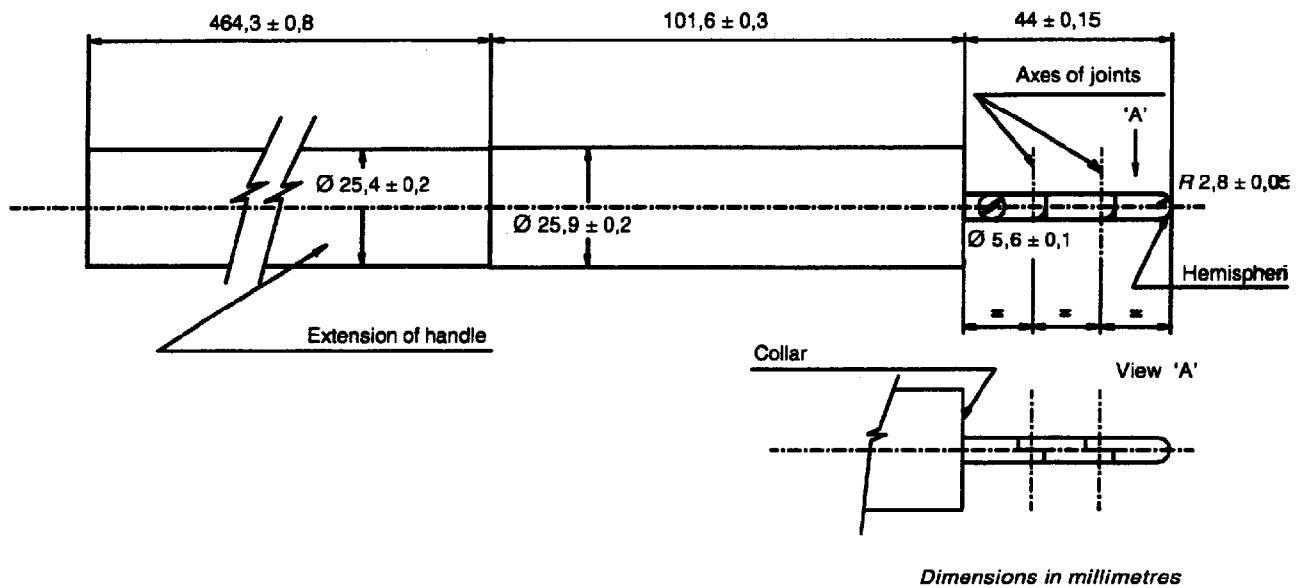
The handle is provided with an extension 451,6 mm long, and the probe should be applied with or without this extension, whichever is the more onerous condition.

Both joints shall permit movement in the same plane and the same direction through an angle of 90°.

This probe is intended to simulate access to hazardous parts by children of more than 36 months and less than 14 years.

Figure 12 – Test probe 18 (small finger probe Ø 8,6)

g)



- Finger: metal material
- Handle: insulating material

The extension of the handle represents the arm of the child.

The handle is provided with an extension, 464,3 mm long and the probe should be applied with or without this extension, whichever is the more onerous condition.

Both joints shall permit movement in the same plane and the same direction through an angle of 90°.

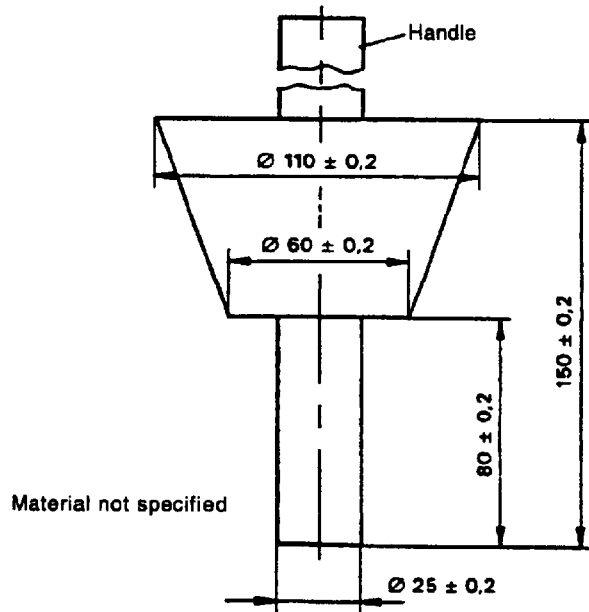
This probe is intended to simulate access to hazardous parts by children of 36 months or less.

Figure 13 – Test probe 19 (small finger probe $\varnothing 5,6$)

6.2.3 Access probes to hazardous mechanical parts

Probes specifically intended to verify the protection of persons against access to hazardous mechanical parts.

a)

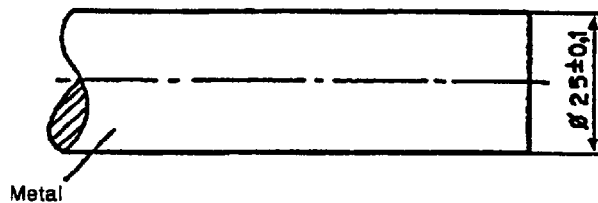


Dimensions in millimetres

This probe is intended to verify the protection against access to hazardous mechanical parts of the grinding system of food waste disposal units.

Figure 14 – Test probe 31

b)



Dimensions in millimetres

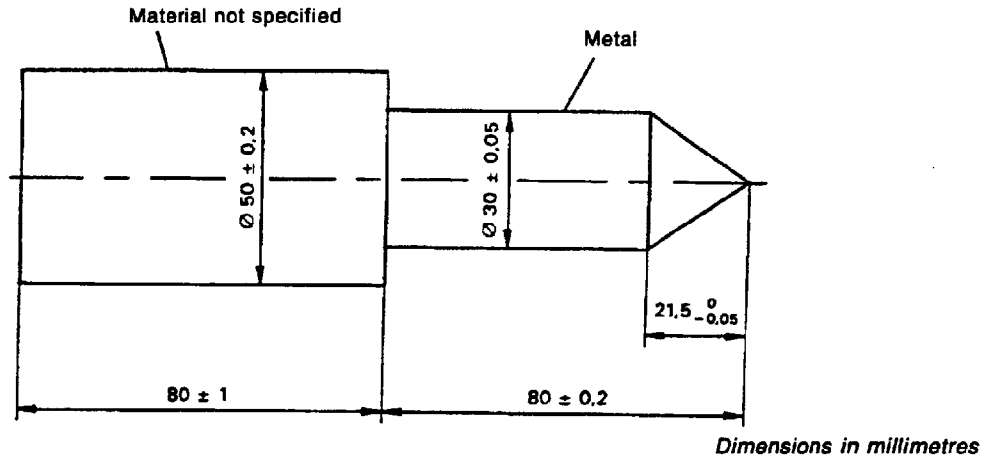
This rod is intended to verify the protection provided by fan guards against access to hazardous mechanical parts.

Figure 15 – Test probe 32

6.2.4 Access probes to hazardous hot or glowing parts

Probes intended to verify the protection of persons against access to hazardous hot or glowing parts.

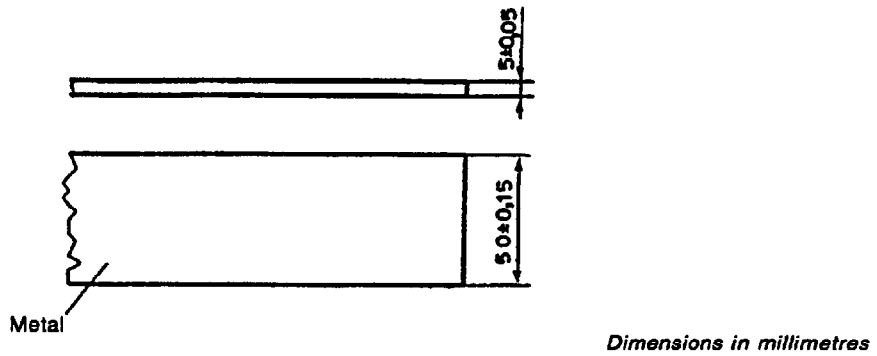
a)



This probe is intended to verify the protection against access to glowing heating elements.

Figure 16 – Test probe 41

b)



This bar is intended to verify the protection of fixed and portable visibly glowing radiant heaters.

Figure 17 – Test probe 43

7 Design characteristics of test probes

7.1 Adequate means (e.g. spring) shall be specified for measuring the force to be applied.

7.2 The surface roughness Ra according to ISO 4287-1 of metal parts of test probes, when delivered, shall not exceed 1,6 μm .

All parts of the probes that can be in contact with the test specimen shall be of a minimum hardness of 50 HCR (Rockwell, C scale).

NOTE 1 – When it is necessary to check by electrical means, a terminal should be provided to permit connection of an extra low voltage supply.

Unless otherwise specified in the product standards, it is recommended that the voltage of the indicator circuit is not less than 40 V and not more than 50 V.

NOTE 2 – Test probes should be protected from corrosion. If a probe is made of material susceptible to corrosion some protection should be afforded, especially when not in use. Use of oil and similar protection is recommended.

NOTE 3 – Handles should be designed so that they can be securely held.

Annex A (informative)

Effect of tolerances of test probes on equipment and test results

A.1 General

Test probes are well established and specified means to verify the protection of electrical equipment with regard to access to hazardous parts.

Tight tolerances are desired to ensure compatibility and reproducibility of test results, however, wide tolerances are required for economic manufacture of the probes and to allow for wear due to frequent use.

It is important that both the designers of electrical equipment with hazardous parts and the users of test probes are aware of these facts and of the natural limits in the application of test probes.

As a matter of principle, the relevant dimensions of electrical apparatus (e.g. apertures or clearances) should be designed to provide an ample safety margin between the hazardous parts and the test probe taking account of the greatest tolerance applicable for the probe.

The following examples are given to explain the matter in more detail.

A.2 Test probes of undefined length

Examples: probes 17, 32, 43.

According to the test conditions specified in the relevant product standards, the purpose of the test is to verify the protection of persons against access to hazardous parts inside an enclosure.

These probes are designed to show that no access can be made into the enclosure (see figure A.1).

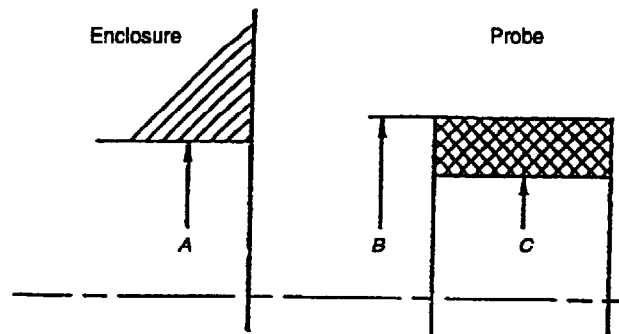


Figure A.1 – Tolerance range on the diameter of a cylindrical test probe

- A: maximum aperture in the enclosure under test
- B: maximum dimension of the probe
- C: minimum dimension of the probe
- B-C: tolerance range of the probe

Instruction for the designer of the equipment: $A < C$

Instruction for the user of the test probe:

- $A > B$: test failed
- $A < C$: test passed
- $C < A < B$: range of uncertainty which can be avoided if the rule $A < C$ is followed

A.3 Test probes of defined length

Examples: probes C, D, 14, and the cylindrical parts of probes B, 11, 31, 41.

These probes simulate parts of the human body or tools held by a person.

According to the test conditions specified in the relevant product standards, the purpose of the test is to verify the protection of persons against access to hazardous parts inside an enclosure.

The probe may penetrate through an opening until its stop face, but adequate clearance is kept between the probe and hazardous parts (see figure A.2).

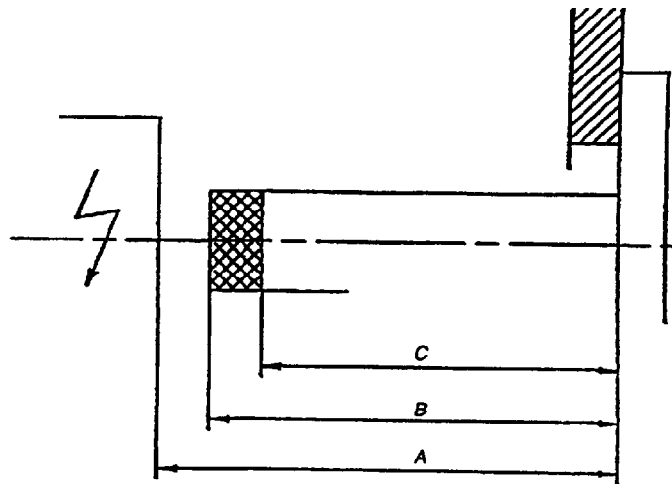


Figure A.2 – Tolerance range on the length of a test probe

- A: shortest distance of hazardous parts under test
- B: maximum dimension of the probe
- C: minimum dimension of the probe
- B-C: tolerance range of the probe

Instruction for the designer:

$A > B$ including the specified clearance dimension in case of high-voltage equipment

Instructions for the user of the test probe:

- $A \leq C$: test failed
- $A > B$: test passed
- $C < A \leq B$: range of uncertainty which can be avoided if the rule $A > B$ is followed

A.4 Test probes with tapered section

Examples: probes B, 11, 13, 31, 41.

Basically the rules given in A.3 apply.

The penetration depth of the tapered section is limited by the diameter of the probe, however, particularly in case of small taper angles there is a wide range of uncertainty, as shown in figure A.3.

The general statements made in the initial part of this annex should be carefully noted by designers if test probes with tapered sections need to be applied.

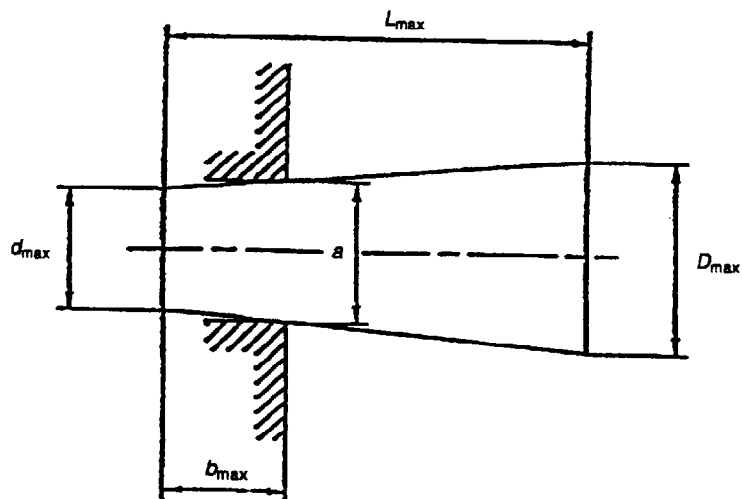
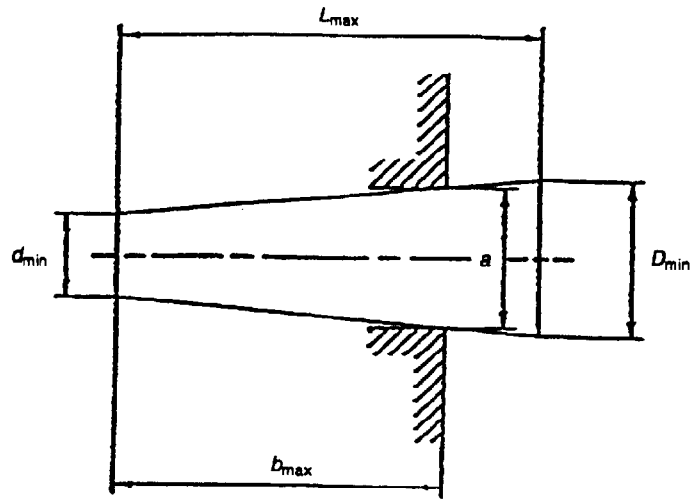
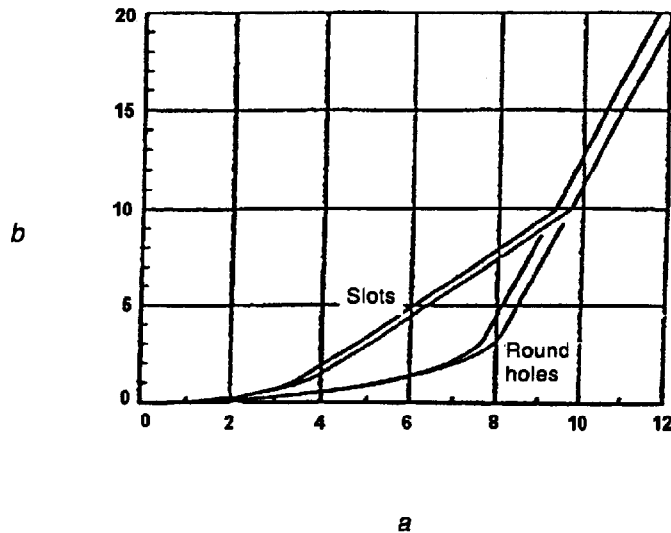


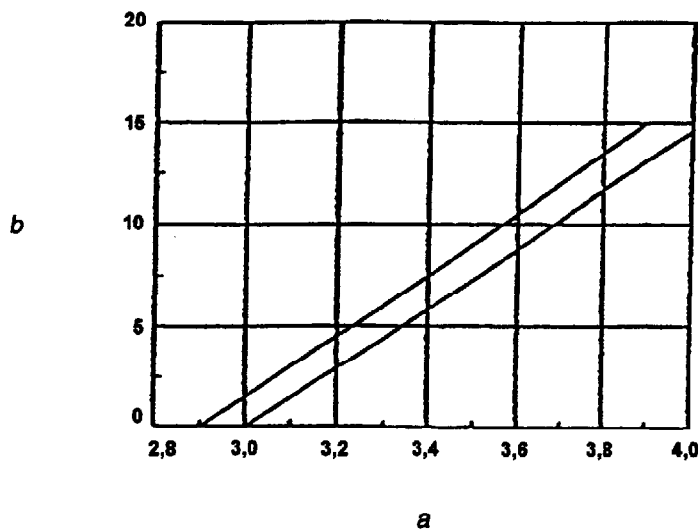
Figure A.3 – Variation of penetration depth b with tapered test probes

The following graphs show the penetration depths b and their deviations as a function of the opening widths a and the tolerance on dimensions b for test probes with tapered sections listed in this standard:



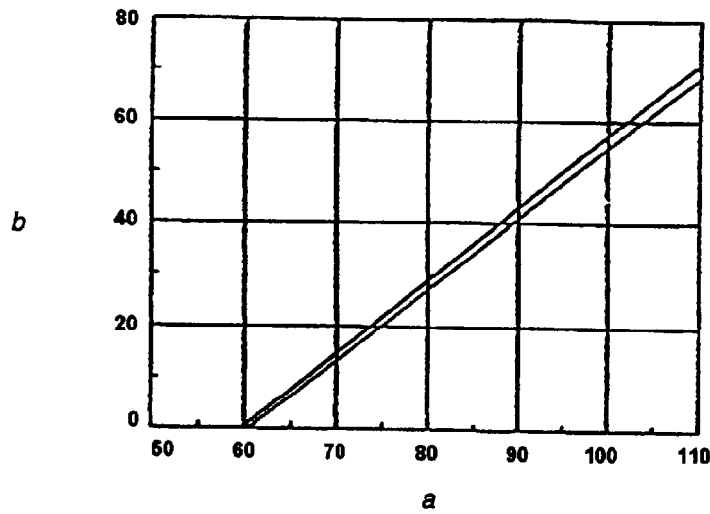
Dimensions in millimetres

Figure A.4 – Tolerance range of the penetration depths b through opening width a for test probe B: jointed test finger and test probe 11: unjointed test finger



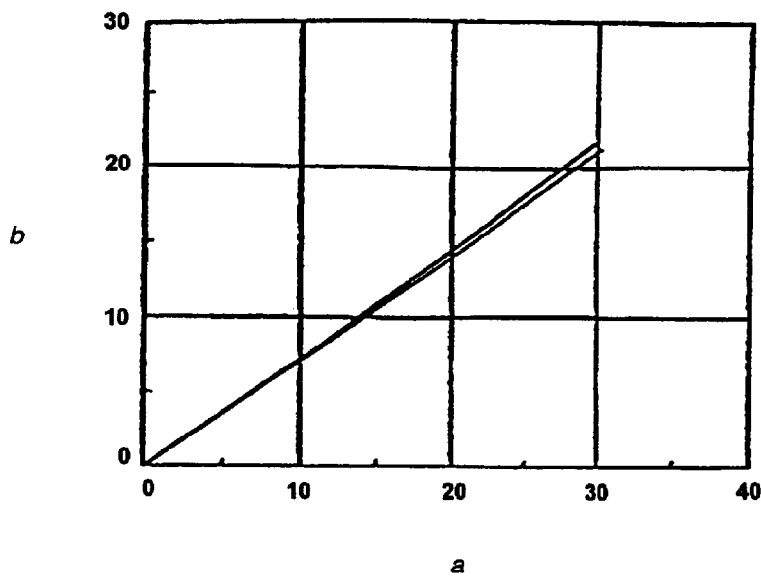
Dimensions in millimetres

Figure A.5 – Tolerance range of the penetration depths b through opening width a for test probe 13: conical pin, \varnothing 3 to 4, 15 long



Dimensions in millimetres

Figure A.6 – Tolerance range of the penetration depths b through opening width a for test probe 31: cone \varnothing 110/60



Dimensions in millimetres

Figure A.7 – Tolerance range of the penetration depths b through opening width a for test probe 41: probe \varnothing 30

Annex B
(informative)

Rules for tolerancing future probes

B.1 Dimensions

B.1.1 Dimensions of active parts of probes should be toleranced according to tables 1, 2 and 3 of ISO 2768-1*, as follows.

- Linear dimensions should be toleranced according table 1 and namely
 - tolerance class fine for metallic parts, and
 - tolerance class medium for insulating or not-specified parts.
- Broken edges (external radii and chamfer heights) should have tolerance class fine/medium, as specified in table 2.
- Angular dimensions should have tolerance class fine/medium, as specified in table 3.

B.1.2 Dimensions of non-active parts, such as handles, guards, etc., are given without tolerances.

B.2 Forces

The forces to be applied to the probes should have a tolerance of $\pm 10\%$.

* ISO 2768-1: 1989, *General tolerances – Part 1: Tolerances for linear and angular dimensions without individual tolerance indications*

Annex ZA (normative)

Normative references to international publications
with their corresponding European publications

This European Standard incorporates by dated or undated reference, provisions from other publications. These normative references are cited at the appropriate places in the text and the publications are listed hereafter. For dated references, subsequent amendments to or revisions of any of these publications apply to this European Standard only when incorporated in it by amendment or revision. For undated references the latest edition of the publication referred to applies (including amendments).

NOTE: When an international publication has been modified by common modifications, indicated by (mod), the relevant EN/HD applies.

<u>Publication</u>	<u>Year</u>	<u>Title</u>	<u>EN/HD</u>	<u>Year</u>
IEC 60050(826)	1982	International electrotechnical vocabulary Chapter 826: Electrical installations of buildings	HD 384.2 S1	1986
IEC 60529	1989	Degrees of protection provided by enclosures (IP Code)	EN 60529 + corr. May	1991 1993
IEC 60536	1976	Classification of electrical and electronic equipment with regard to protection against electric shock	HD 366 S1	1977
ISO 4287-1	1984	Surface roughness - Terminology Part 1: Surface and its parameters	-	-

BS EN
61032:1998
IEC 61032:1997

BSI — British Standards Institution

BSI is the independent national body responsible for preparing British Standards. It presents the UK view on standards in Europe and at the international level. It is incorporated by Royal Charter.

Revisions

British Standards are updated by amendment or revision. Users of British Standards should make sure that they possess the latest amendments or editions.

It is the constant aim of BSI to improve the quality of our products and services. We would be grateful if anyone finding an inaccuracy or ambiguity while using this British Standard would inform the Secretary of the technical committee responsible, the identity of which can be found on the inside front cover. Tel: 0181 996 9000. Fax: 0181 996 7400.

BSI offers members an individual updating service called PLUS which ensures that subscribers automatically receive the latest editions of standards.

Buying standards

Orders for all BSI, international and foreign standards publications should be addressed to Customer Services. Tel: 0181 996 7000. Fax: 0181 996 7001.

In response to orders for international standards, it is BSI policy to supply the BSI implementation of those that have been published as British Standards, unless otherwise requested.

Information on standards

BSI provides a wide range of information on national, European and international standards through its Library and its Technical Help to Exporters Service. Various BSI electronic information services are also available which give details on all its products and services. Contact the Information Centre. Tel: 0181 996 7111. Fax: 0181 996 7048.

Subscribing members of BSI are kept up to date with standards developments and receive substantial discounts on the purchase price of standards. For details of these and other benefits contact Membership Administration. Tel: 0181 996 7002. Fax: 0181 996 7001.

Copyright

Copyright subsists in all BSI publications. BSI also holds the copyright, in the UK, of the publications of the international standardization bodies. Except as permitted under the Copyright, Designs and Patents Act 1988 no extract may be reproduced, stored in a retrieval system or transmitted in any form or by any means – electronic, photocopying, recording or otherwise – without prior written permission from BSI.

This does not preclude the free use, in the course of implementing the standard, of necessary details such as symbols, and size, type or grade designations. If these details are to be used for any other purpose than implementation then the prior written permission of BSI must be obtained.

If permission is granted, the terms may include royalty payments or a licensing agreement. Details and advice can be obtained from the Copyright Manager. Tel: 0181 996 7070.

BSI
389 Chiswick High Road
London
W4 4AL