

Application:

- 1) According to: IEC62368-1:2010 V.1.3
- 2) Mainly used for the inspection to prevent the body touch dangerous live parts, heating or hot parts, mechanical components, as well as inspection of solid foreign bodies into the equipment. It is necessary for protection against electric shock test of household and similar electrical appliances.

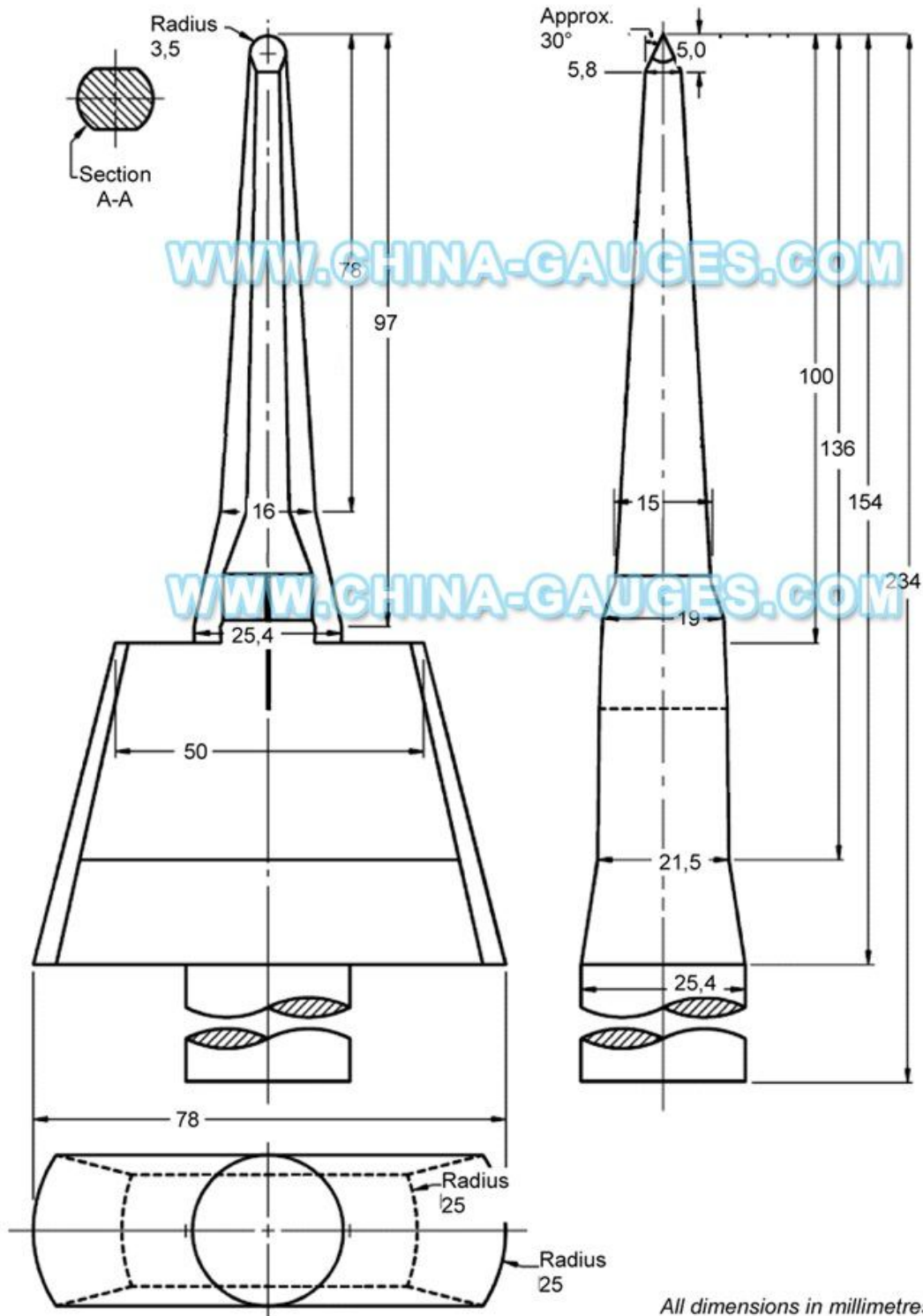
Technical:

Test probe base diameter: 25.4 mm (1 inch)

Test probe fingertip radius: 3.5 mm / 30°

Test probe length: 101.6 mm (4 inch)

Material: Stainless steel, nylon.



All dimensions in millimetres