

**Appliance:**

It's the necessary tool to proceed protecting electric shock test of household and similar electrical appliances.

**Purpose:**

This pin probe is intended to be used on appliances for verifying the inaccessibility of hazardous live parts or hazardous mechanical parts which are liable to be touched accidentally by a tool, for example a screwdriver or similar pointed object in normal use.

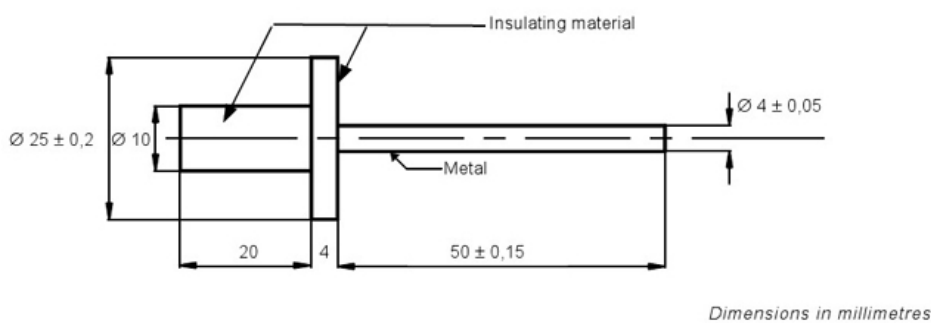
**Conforms to:**

Standard IEC61032-1997, IEC60529-2001, GB/T4208-2008 and UL etc.

**Technical Parameter:**

- Test probe diameter: 4mm
- Test probe length: 50mm
- Baffle plate thickness: 4mm
- Baffle plate diameter: 25mm
- Handle length: 20mm
- Handle diameter: 10mm

b)



This pin is intended to be used on appliances for verifying the inaccessibility of hazardous live parts or hazardous mechanical parts which are liable to be touched accidentally by a tool, for example a screwdriver or similar pointed object in normal use.

**Figure 8 – Test probe 12**