



Introduction:

It's strictly designed according to IEC60529 ect. It's used to test the waterproof performance of appliance and electric appliance with the rain protection function.

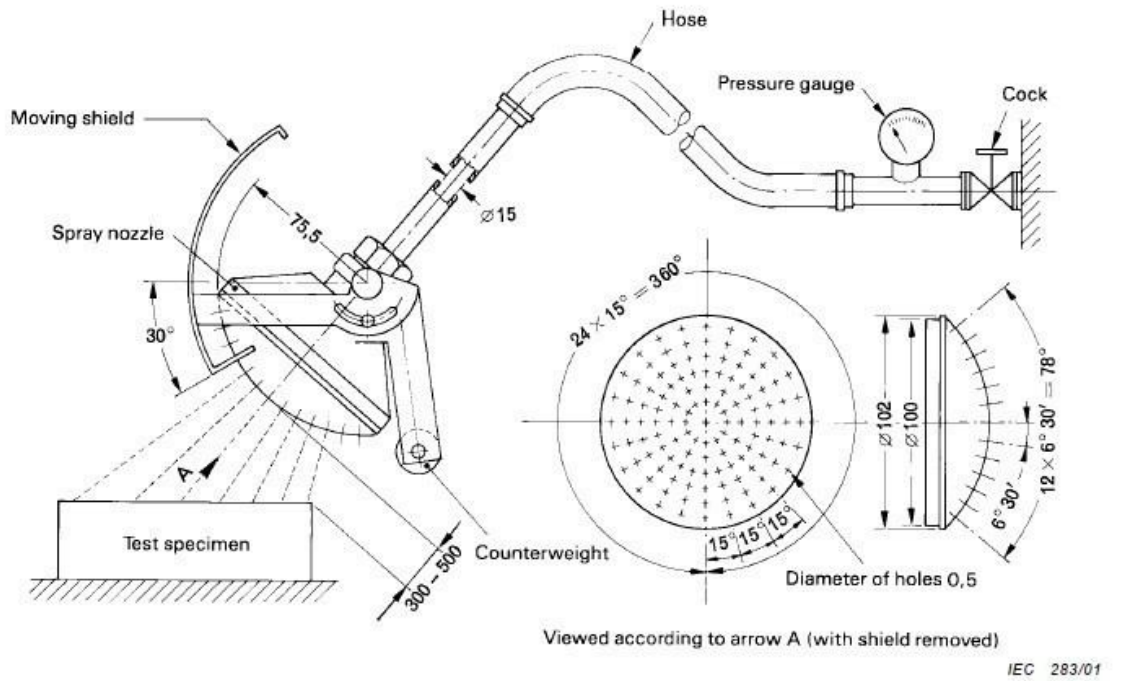
Application:

The Spray Nozzle Tester IPX3/4 is a hand-held test device to verify protection against spraying and splashing water. The water pressure can be adjusted using the flow control knob on the device to give the required flow rate.

The pressure can be seen on the gauge which is convenient positioned by the Spray Tester IPX3/4. The removable shield feature make it easy to test without the interference of the shield.

The pressure can be seen on the gauge which is convenient positioned by the Spray Tester IPX 3/4. The spray pattern of the nozzle is made to the specifications of IE60529. The removable shield feature make it easy to test without the interference of the shield .

Number of holes	Total 121
Diameter of nozzle holes	0.5 mm
Material	Spray nozzle made of brass
Pressure gage	0 ~ 0.25Mpa
Water discharge	10L/min, ±5%, can adjustment
Reference	IEC60529 IPX3 IPX4, IEC60598-1, IEC 60335-1, IEC60745-1
Nozzle diameter	102 mm
Nozzle hole surface radian	78°



Dimensions in millimetres

- 121 holes of $\varnothing 0,5$;
- 1 hole at the centre
- 1 inner circles of 12 holes at 30° pitch
- 4 outer circles of 24 holes at 15° pitch
- Moving shield – Aluminium
- Spray nozzle – Brass

Figure 5 – Hand-held device to verify protection against spraying and splashing water; second characteristic numerals 3 and 4 (spray nozzle)