



1. Introduction:

(1) IEC60068-2-75 Spring Impact Hammer Test Apparatus is strictly designed according to IEC60068-2-75,GB/2423.55-2006.GB4706.1 and GB8898 standard.

(2)After applying the impact with the hammer, the products is examined with accessibility probes to determine access to chock,energy,and injury hazards. Built in exact accordance to IEC/EN/UL/CSA and other standards.

2. Application:

The strike is automatically released when the release force threshold is reached.

Impact energy :2 J

Allowable error: ±10%

The weight of impact element: 500g±5g

The power: <10N

The whole weight: 1500g±10g

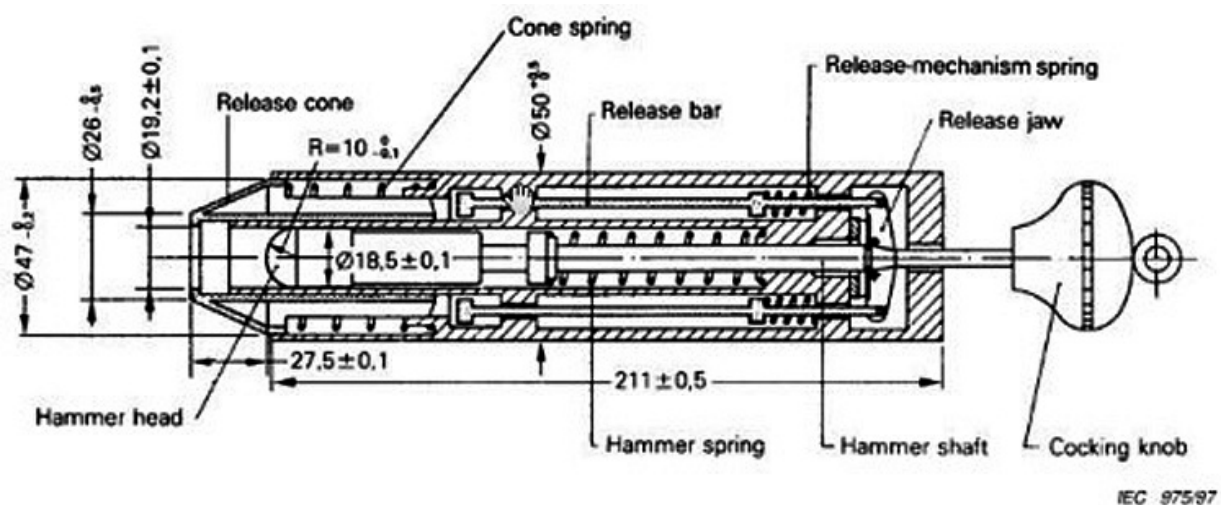


Figure E.1 – Spring hammer test apparatus