

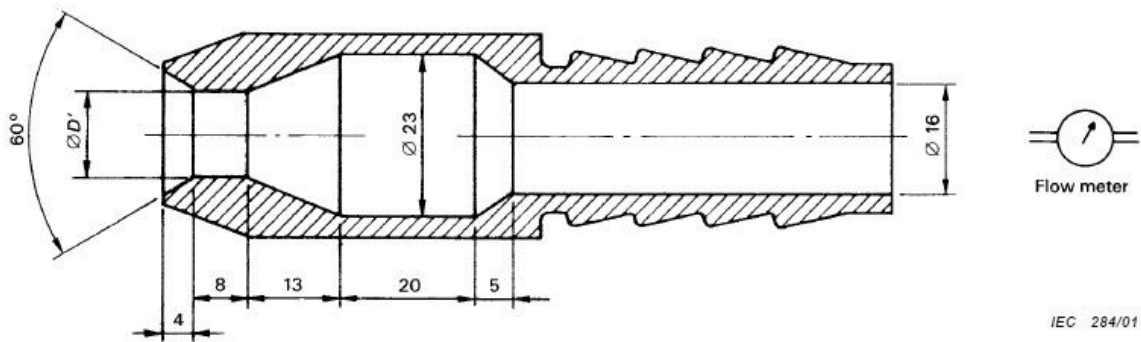


This tester is used for the verification test of the degree of protection to the risk of water penetration provided by the wrapper of equipment in fulfillment of **IPX5** and **IPX6** according to the **IEC 60529** Section **14.2.5. & 14.2.6**.

The device consists of a jet handle that is equipped with a pressure gauge and an easy-to-adjust flow valve.

The interchangeable nozzles assemble easily to the jet handle. The nozzles are made from stainless steel.

Item	IPX5	IPX6
Water supply	Water flow rate > 12.5L/min±5% clean water with out inclusion. It can be achieved by the stainless steel water tank and pressurized equipment.	Water flow rate > 100L/min±5% clean water with out inclusion. It can be achieved by the stainless steel water tank and pressurized equipment.
The nozzle diameter	6.3 mm	12.5 mm
Water flow	12.5±0.625L/min, Flow meter is adjustable.	100±0.625L/min, Flow meter is adjustable.
Testing time	Not less than 1min/m ² (not less than 3 mins)	
Environment requirements	Dedicated IP waterproof test room whose width is more than 3m, With good function of inflow and drainage. Wall installation.	
The distance from jet nozzle to enclosure	2.5~3m	
Pressure Gauge	0 - 4 bar (0 - 0.4 MPa)	
Reference standards	IEC60529,IEC60598-1,IEC60335-1,IEC60745-1	
Nozzle Material	Stainless Steel	
Include	Pressure gauge, Stainless steel nozzle IPX5 and IPX6, Valve for water flow regulation and shut off, Hose connector.	



Dimensions in millimetres

$D' = 6,3$ for the test of 14.2.5 (second characteristic numeral 5)

$D' = 12,5$ for the test of 14.2.6 (second characteristic numeral 6)

Figure 6 – Test device to verify protection against water jets (hose nozzle)