

IP3X Test Probe with 3N



Basic Introduction:

1. According to: IEC 61032:1997 / IEC 60529:2001.
2. IP3X Test Probe C (Test Probe C) is the necessary tool to proceed protecting electric shock test of household and similar electrical appliances.

Technical parameters:

1. Test Probe Length: 100mm
2. Test Prober Diameter: 2.5mm
3. Dam- sphere Diameter: 35mm
4. Handle Diameter: 10mm
5. Handle Length: 100mm
6. According to IEC 61032 figure 3 (the Test probe C). Table 6 (the first characteristic digital 3)

Application:

1. Standard test refers to the joint part can't touch the live parts or close to the dangerous parts. and 35mm circular baffle can not be enter.
2. In the test requirement for preventing access to the hazardous parts. Test Probe C need to be with push force $3\pm 0.3N$.

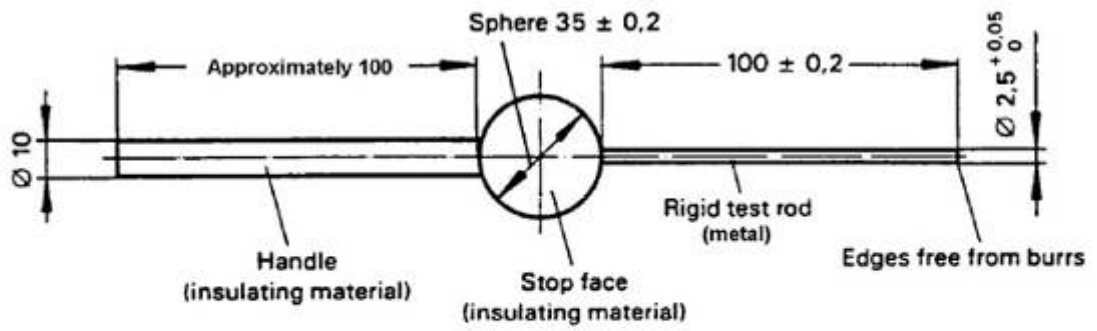
Purpose:

This probe is intended to verify the basic protection against access to hazardous parts. It's also used to verify the protection against access with a tool.

Note:

For without thrust products, please use with the push tension dynamometer.

c)



Dimensions in millimetres

This rod is intended to verify the protection of persons against access to hazardous parts. It is also used to verify protection against access with a tool.

Figure 3 – Test probe C