

## IP2X Test Finger with 10N



IP2X Probe B /Test Probe B

Force Level: 10N

1. Conforms to: Standard IEC 61032-1997, IEC 60529-2001.
2. The Standard Test Knurled Finger Probe is the necessary appliance to prevent electric shock for household and similar electrical problem.

### Technical Parameters:

Length: 30.5 cm

Knurled Finger Diameter: 12 mm

Knurled Finger Length: 8 cm

Handle diameter: 4.5 cm

Handle length: 9.5 cm

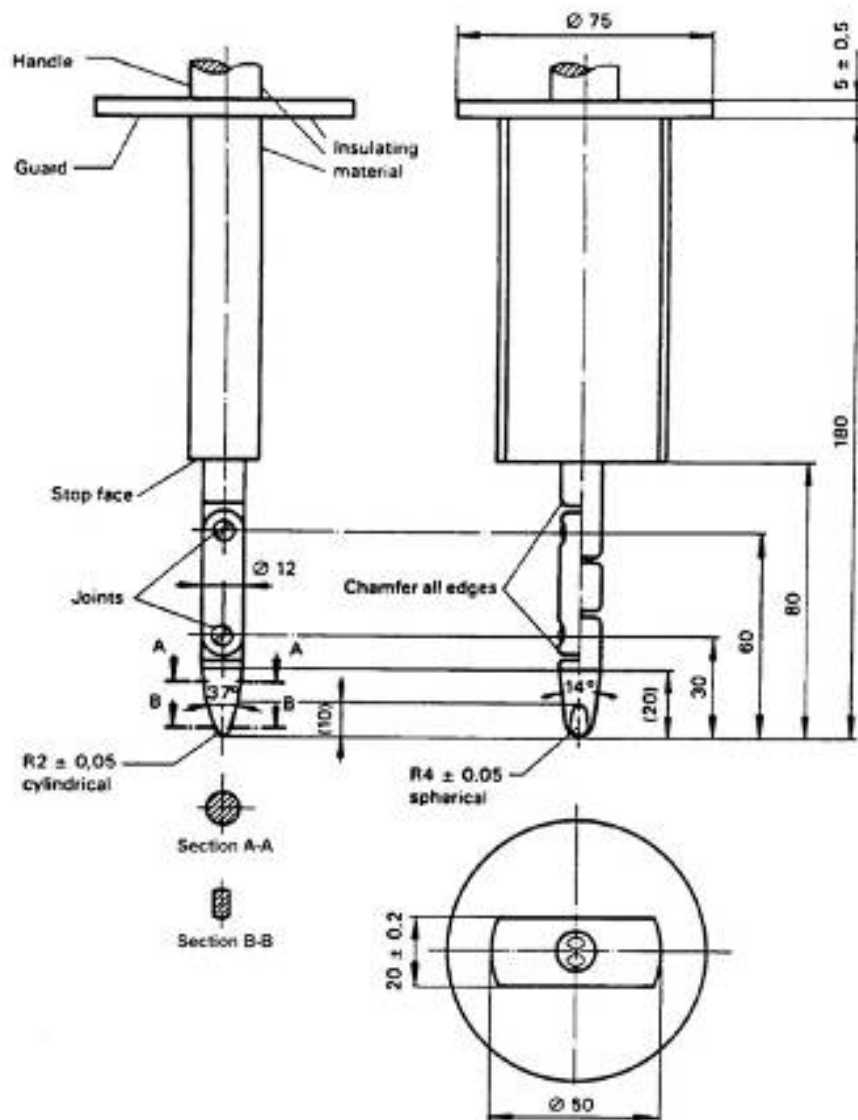
### Application:

1. The joint part of The Standard Test Knurled Finger Probe can't touch the live parts or close to the dangerous parts, and 50 mm to 20 mm baffle plate cannot enter.
2. In the prevent electric shock test, wirings, power devices, and lighting devices are needed.

### Notes:

Both joints shall permit movement in the same plane and the same direction through an angle of 90° with a 0° to +10° tolerance.

b)



*Dimensions in millimetres*

Material: metal, except where otherwise specified.

Tolerance on dimensions when no specific tolerance is given:

– on angles:  $0$   
 $-10^\circ$

– on linear dimensions: up to 25 mm:  $0$   
 $-0.05$  mm; over 25 mm:  $\pm 0.2$  mm

Both joints shall permit movement in the same plane and the same direction through an angle of  $90^\circ$  with a  $0^\circ$  to  $-10^\circ$  tolerance.

This probe is intended to verify the basic protection against access to hazardous parts. It is also used to verify the protection against access with a finger.

**Figure 2 – Test probe B**