

IP1X Test Probe with 50N



Specification:

IP1X Probe A /Test Probe A

- 1, According to : IEC 61032:1997 / IEC 60529:2001
- 2, IP1X Probe A (Test Probe A) is necessary appliance for household and similar electrical appliance of against electric shock protection test.

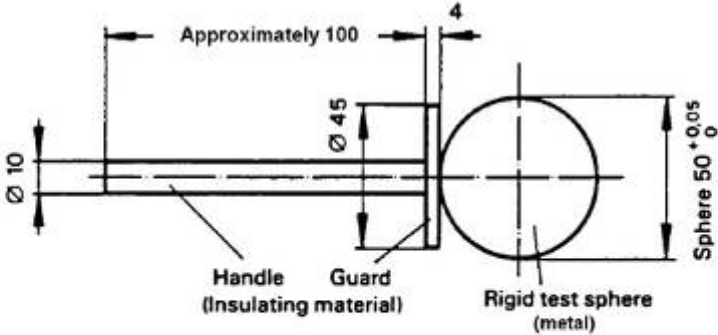
Technical Parameters:

1. Ball Diameter: 50mm
2. Total Length: 210mm
3. Baffle Plate Diameter: 45mm
4. Baffle Plate Thickness: 4mm
5. Handle Diameter: 45mm
6. Handle Length: 95mm
7. According to IEC 61032 figure 1 (the Test probe A), table 6 the first characteristics (1)

Application:

- 1, Sphere can not touch the live parts or close to the dangerous parts.
- 2, In the testing requirements of keep close to the dangerous part, the test steel ball without thrust need to be used with push tension meter, and steel body for protective coating need to apply to 50 N thrust.

a)



Dimensions in millimetres

This probe is intended to verify the protection of persons against access to hazardous parts. It is also used to verify the protection against access with the back of the hand.

Figure 1 – Test probe A