



### **1.Introduction:**

(1) IEC60068-2-75 Spring Impact Hammer Test Apparatus is strictly designed according to IEC60068-2-75,GB/2423.55-2006.GB4706.1 and GB8898 standard.

(2)After applying the impact with the hammer, the products is examined with accessibility probes to determine access to chock,energy,and injury hazards. Built in exact accordance to IEC/EN/UL/CSA and other standards.

### **2.Application:**

Adjust the impact severity by rotating the knurled cap until the desired energy-value is displayed. Pull the knob slowly out of the device until it locks in place. If moved too fast, the clamp may skip its arrester and will lock at its way back when the pulling-force declines. Hold the device horizontally at it's housing tube and press the (black) release cone to the specimens plane of impact.

The strike is automatically released when the release force threshold is reached

**Universal (6 level): 0.14J, 0.20J, 0.35J, 0.50J, 0.70J, 1J adjustable**

### **Impact energy error:**

0.14J ± 0.014J

0.20J ± 0.020J

0.35J ± 0.03J

0.50J ± 0.04J

0.70J ± 0.05J

1.00J ± 0.05J

**Technical parameters:**

Length: 211mm

Weight: 1250g

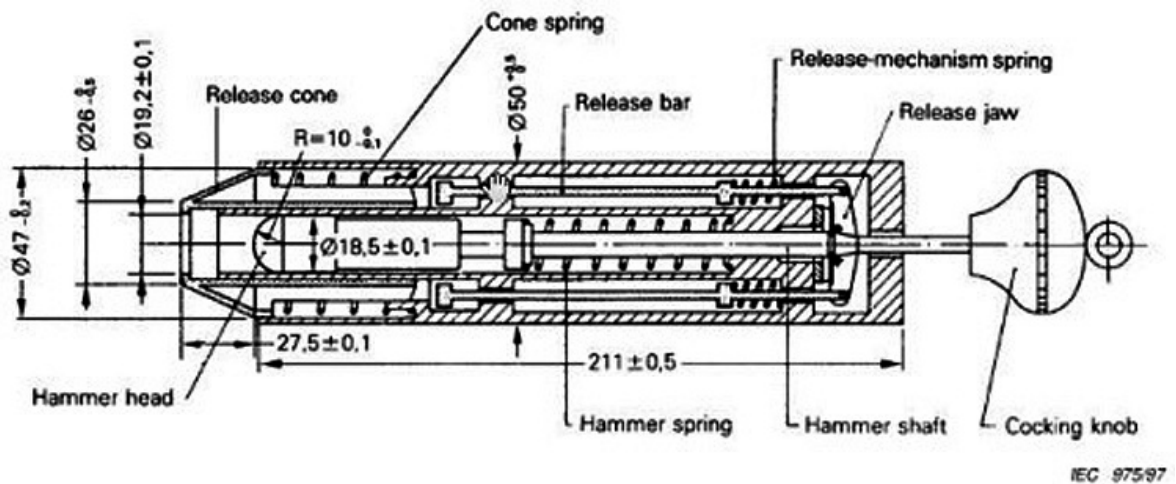
Diameter: 50 mm

Hammer Weight: 60g

Hammer radius: 10mm

Shock components: including hit ball and hammer handles, weighs 250g, the hammer is made from white polyethylene imine first

The impact of the release of force: less than 10N



**Figure E.1 – Spring hammer test apparatus**