

校准证书

CALIBRATION CERTIFICATE

证书编号:
Certificate No.

J202005144344-0001

第 1 页 共 4 页
Page of

委托方

Client

HK LEE HING INDUSTRY CO., LIMITED

委托方地址

Address

See more at: <http://www.china-gauges.com/>

仪器名称

Description

50N Rigid Test Finger

型号/规格

Model/Type

LX-1150

制造厂

Manufacturer

HK LEE HING INDUSTRY CO., LIMITED

出厂编号

Serial No.

JLX2020G109217

管理号

Asset No.

校准日期

Date of Calibration

2020年05月25日

Y M D

样品接收日期

Date of Receipt

2020年05月19日

Y M D

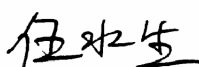
批准人:

Approved Signatory



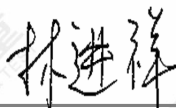
审核:

Inspected by



校准:

Calibrated by

证书专用章
(Stamp)

总部地址(Headquarters Add):广东省广州市黄埔大道西平云路163号

No.163.Pingyun Rd, West of HuangPu Ave.Guangzhou.Guangdong .China

承校实验室地址(Add. of the Cal. Lab): 广东省广州市黄埔大道西平云路163号

No.163.Pingyun Rd,West of HuangPu Ave.Guangzhou,Guangdong,China

联系电话(Tel.):020-38699960,66830999,400-602-0999

扫一扫验真伪

传真(Fax):020-38695185

邮政编码(Postcode):510656

网站(Website):[http:// www.grgtest.com](http://www.grgtest.com)电子邮件(E-mail):grgtest@grgtest.com

校准说明

DIRECTIONS OF CALIBRATION

证书编号: J202005144344-0001

第 2 页 共 4 页

Certificate No.

Page of

- 1.本实验室出具的数据可溯源至国家计量基准或社会公用计量标准。
(The data issued by GRGTest are traced to national primary standards or the public metrological standards.)
- 2.本结果仅对本次校准样品有效。未经书面批准,不得部分复制。如有疑问请在15个工作日内反馈。(The result is only valid for the calibrated sample.The certificate shall not be reproduced except in full,without the written approval of our laboratroy .please feedback to us within 15 days if you have any question.)
- 3.本证书编号具有唯一性,后缀若带有“-Gx”的证书为替换证书,自发出后原证书即刻作废。
(Each certificate has a unique number. The suffix of "-Gx" will be added to the number as a replacement of the old version. The original certificate will be officially invalid once the new certificate number is issued.)
- 4.证书中如有最大允许误差、判定结果,仅供参考,其中“P”代表“合格”,“F”代表“不合格”。使用人员还应结合实际测量要求,评估校准结果测量不确定度对符合性评定的影响。(MPE & judgement result in the datasheet is only for reference, "P" represents "Pass" and "F" represents "Fail".Whereas users should evaluate the effects of MU of calibration results on conformity determination associated with actual measurement.)
- 5.本次校准的技术依据及CNAS认可范围,超出范围的内容未被认可。详细认可范围请查看CNAS网站中注册编号为L0446的证书附件。(Reference document and accredited scope by CNAS for calibration, beyond which isn't accredited. Please see the attachment of certificate No.L0446 on CNAS website for details.)
GRGJL.WI-CD-09-QBJZ100-2016试验指、棒、销、钩、探针校准方法 (Test finger,rod,pin,hock,probe) 长度: (0~1000) mm 角度: 10~120°力值: (0.001~200) N

6. 本次校准使用的主要测量标准(Main Standards of Measurement Used in the Calibration.):

名称 / 型号	编号	证书号/有效期	溯源机构	技术特征
Description / Model	Serial No.	Certificate No./ Due Date	Traceability Institute	Technique Character
数显测高仪/ID-C150MXB	08136975	J201907252222- 0004 2020-08-01	广州广电计量检 测股份有限公司	MPE: ±0.005mm
图像处理万能工具显微镜 /JX13C	ZH0020	CYY202000367 2021-04-28	广东省计量科学 研究院	MPE: (1+L/100)μm
标准测力仪/BZL-50N	110039	LC201913836 2020-08-26	广州计量检测技 术研究院	0.3级

7. 校准地点、环境条件(Place and environmental conditions of the calibration):

地点	广州计量长度精密测量室	温度	20	℃	相对湿度	65	%
Place		Temperature			Relative Humidity		

8. 建议复校时间间隔: 1年,送校单位也可按实际使用情况自主决定。
Suggested calibration interval is 1 year or it can be altered depending on the actual usage of the user.

校 准 结 果
RESULTS OF CALIBRATION

证书编号: J202005144344-0001

第 3 页 共 4 页

Certificate No.

Page of

1、外观: 符合要求

Appearance: Pass

2、尺寸测量:

Dimension measurement:

技术要求(mm) Specifications	实测值(mm) Measured	扩展不确定度(mm) $U(k=2)$	结论(P/F) Conclusion
(10) ⁰ -0.05	9.98	0.01	P
20 ⁰ -0.05	19.97	0.01	P
80 ^{+0.2} -0.2	79.99	0.05	P
2 ^{+0.05} -0.05	2.02	0.02	P
4 ^{+0.05} -0.05	4.02	0.02	P
12 ⁰ -0.05	11.98	0.01	P
50 ^{+0.2} -0.2	49.93	0.03	P
5 ^{+0.5} -0.5	5.00	0.03	P

技术要求 Specifications	实测值 Measured	扩展不确定度 $U(k=2)$	结论(P/F) Conclusion
37° ⁰ -10'	36°55'	3'	P
14° ⁰ -10'	13°57'	3'	P

3、力值测量:

Force measurement

标称值(N) Nominal	实测值(N) Measured	扩展不确定度 $U_{rel}(k=2)$
10	9.9	5%
20	19.9	5%
30	30.0	5%
40	40.0	5%
50	50.0	5%

测股
告专用
(1)

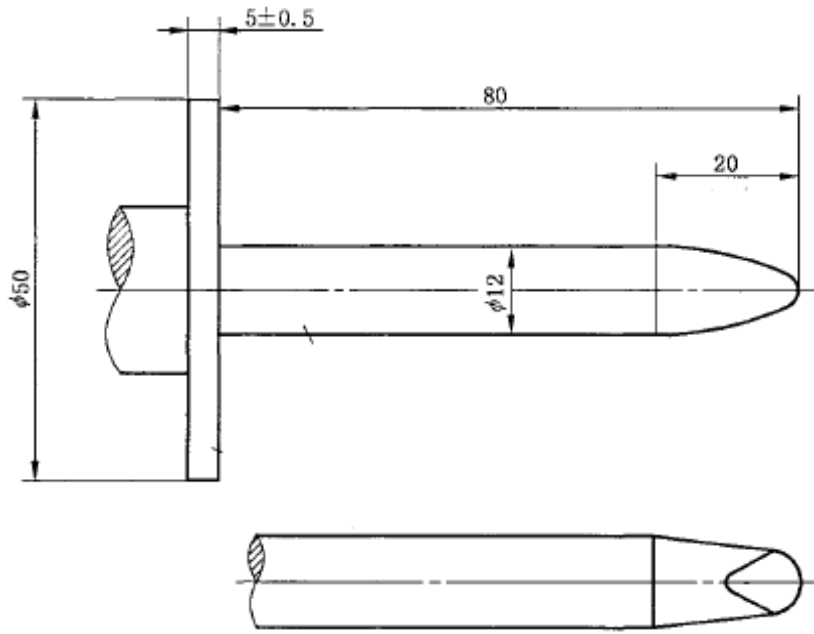
校 准 结 果
RESULTS OF CALIBRATION

证书编号: J202005144344-0001

第 4 页 共 4 页

Certificate No.

Page of



备注:

Notes:

结论(Conclusion): 按校准结果使用

1.本报告中的扩展不确定度是由标准不确定度乘以包含概率约为95%时的包含因子 k 。The expanded uncertainty is given in the report by the standard uncertainty multiplied by the probability of about 95% when the factor k .

2.依据(Reference document)

JJF 1059.1-2012 测量不确定度评定与表示

(JJF 1059.1-2012 Evaluation and Expression of Uncertainty in Measurement)

3.技术要求来自于:

Specifications source: IEC61032

(以下空白)

(The below is blank)

有限公司
章