



BSI Standards Publication

Safety of machinery - Electrical equipment of machines

Part 1: General requirements

<http://www.china-gauges.com/>

National foreword

This British Standard is the UK implementation of EN 60204-1:2018. It is derived from IEC 60204-1:2016. It supersedes BS EN 60204-1:2006+A1:2009, which is withdrawn.

The CENELEC common modifications have been implemented at the appropriate places in the text. The start and finish of each common modification is indicated in the text by tags **[C]** **[C]**.

The UK participation in its preparation was entrusted to Technical Committee MCE/3, Safeguarding of machinery.

A list of organizations represented on this committee can be obtained on request to its secretary.

This publication does not purport to include all the necessary provisions of a contract. Users are responsible for its correct application.

© The British Standards Institution 2018
Published by BSI Standards Limited 2018

ISBN 978 0 580 73746 6

ICS 31.020; 29.020; 13.110

Compliance with a British Standard cannot confer immunity from legal obligations.

This British Standard was published under the authority of the Standards Policy and Strategy Committee on 30 September 2018.

Amendments/corrigenda issued since publication

Date	Text affected
------	---------------

<http://www.china-gauges.com/>

EUROPEAN STANDARD

EN 60204-1

NORME EUROPÉENNE

EUROPÄISCHE NORM

September 2018

ICS 13.110; 29.020

Supersedes EN 60204-1:2006

English Version

**Safety of machinery - Electrical equipment of machines -
Part 1: General requirements
(IEC 60204-1:2016 , modified)**

Sécurité des machines - Équipement électrique des
machines - Partie 1: Exigences générales
(IEC 60204-1:2016 , modifiée)

Sicherheit von Maschinen - Elektrische Ausrüstung von
Maschinen - Teil 1: Allgemeine Anforderungen
(IEC 60204-1:2016 , modifiziert)

This European Standard was approved by CENELEC on 2018-03-19. CENELEC members are bound to comply with the CEN/CENELEC Internal Regulations which stipulate the conditions for giving this European Standard the status of a national standard without any alteration.

Up-to-date lists and bibliographical references concerning such national standards may be obtained on application to the CEN-CENELEC Management Centre or to any CENELEC member.

This European Standard exists in three official versions (English, French, German). A version in any other language made by translation under the responsibility of a CENELEC member into its own language and notified to the CEN-CENELEC Management Centre has the same status as the official versions.

CENELEC members are the national electrotechnical committees of Austria, Belgium, Bulgaria, Croatia, Cyprus, the Czech Republic, Denmark, Estonia, Finland, Former Yugoslav Republic of Macedonia, France, Germany, Greece, Hungary, Iceland, Ireland, Italy, Latvia, Lithuania, Luxembourg, Malta, the Netherlands, Norway, Poland, Portugal, Romania, Serbia, Slovakia, Slovenia, Spain, Sweden, Switzerland, Turkey and the United Kingdom.

<http://www.china-gauges.com/>



European Committee for Electrotechnical Standardization
Comité Européen de Normalisation Electrotechnique
Europäisches Komitee für Elektrotechnische Normung

CEN-CENELEC Management Centre: Rue de la Science 23, B-1040 Brussels

European foreword

This document (EN 60204-1:2018) consists of the text of IEC 60204-1:2016, prepared by IEC/TC 44 "Safety of machinery - Electrotechnical aspects", together with the common modifications prepared by CLC/TC 44X "Safety of machinery: electrotechnical aspects".

The following dates are fixed:

- latest date by which this document has to be implemented at national level by publication of an identical national standard or by endorsement (dop) 2019-03-14
- latest date by which the national standards conflicting with this document have to be withdrawn (dow) 2021-09-14

This document supersedes EN 60204-1:2006.

Attention is drawn to the possibility that some of the elements of this document may be the subject of patent rights. CENELEC shall not be held responsible for identifying any or all such patent rights.

Clauses, subclauses, notes, tables, figures and annexes which are additional to those in IEC 60204-1:2016 are prefixed "Z".

This document has been prepared under a mandate given to CENELEC by the European Commission and the European Free Trade Association, and supports essential requirements of EU Directive(s).

For the relationship with EU Directives, see informative Annexes ZZA and ZZB, which are integral parts of this document.

Endorsement notice

The text of the International Standard IEC 60204-1:2016 was approved by CENELEC as a European Standard with agreed common modifications.

<http://www.china-gauges.com/>

Annex ZA (normative)

Normative references to international publications with their corresponding European publications

The following documents are referred to in the text in such a way that some or all of their content constitutes requirements of this document. For dated references, only the edition cited applies. For undated references, the latest edition of the referenced document (including any amendments) applies.

NOTE 1 Where an International Publication has been modified by common modifications, indicated by (mod), the relevant EN/HD applies.

NOTE 2 Up-to-date information on the latest versions of the European Standards listed in this annex is available here: www.cenelec.eu.

<u>Publication</u>	<u>Year</u>	<u>Title</u>	<u>EN/HD</u>	<u>Year</u>
IEC 60034-1 (mod)	2010	Rotating electrical machines - Part 1: Rating and performance	EN 60034-1	2010
-	-		+ corr. October	2010
IEC 60072	series	Dimensions and output series for rotating electrical machines	-	-
IEC 60309-1	1999	Plugs, socket-outlets and couplers for industrial purposes -	EN 60309-1	1999
+ A1 (mod)	2005	Part 1: General requirements	+ A1	2007
+ A2	2012		+ A2	2012
IEC 60364-1 (mod)	2005	Low-voltage electrical installations - Part 1: Fundamental principles, assessment of general characteristics, definitions	HD 60364-1	2008
IEC 60364-4-41 (mod)	2005	Low-voltage electrical installations - Part 4-41: Protection for safety - Protection against electric shock	HD 60364-4-41	2007
-	-		+ corr. July	2007
IEC 60364-4-43 (mod)	2008	Low voltage electrical installations - Part 4-43: Protection for safety - Protection against overcurrent	HD 60364-4-43	2010
IEC 60364-5-52 (mod)	2009	Low-voltage electrical installations - Part 5-52: Selection and erection of electrical equipment - Wiring systems	http://www.china-gauges.com/ HD 60364-5-52	2011
IEC 60364-5-53	2001	Electrical installations of buildings - Part 5-53: Selection and erection of electrical equipment - Isolation, switching and control	-	-
+ A1 (mod)	2002		HD 60364-5-534	2008 ¹⁾
+ A2 (mod)	2015		HD 60364-5-534	2016 ²⁾

1) IEC 60364-5-53:2001/A1:2002, Clause 534: "Devices for protection against overvoltages" is harmonized as HD 60364-5-534:2008. HD 60364-5-534:2008 will be superseded by HD 60364-5-534:2016 on 2018-12-14.

2) IEC 60364-5-53:2001/A2:2015, Clause 534: "Devices for protection against overvoltages" is harmonized as HD 60364-5-534:2016.

EN 60204-1:2018 (E)

<u>Publication</u>	<u>Year</u>	<u>Title</u>	<u>EN/HD</u>	<u>Year</u>
IEC 60364-5-54	2011	Low-voltage electrical installations - Part 5-54: Selection and erection of electrical equipment - Earthing arrangements and protective conductors	HD 60364-5-54	2011
IEC 60417-DB	2002	Graphical symbols for use on equipment	-	-
IEC 60445	2010	Basic and safety principles for man-machine interface, marking and identification - Identification of equipment terminals, conductor terminations and conductors	EN 60445	2010
IEC 60529	1989	Degrees of protection provided by enclosures (IP Code)	EN 60529	1991
-	-		+ corr. May	1993
+ A1	1999		+ A1	2000
+ A2	2013		+ A2	2013
IEC 60664-1	2007	Insulation coordination for equipment within low-voltage systems - Part 1: Principles, requirements and tests	EN 60664-1	2007
IEC 60947-2	2016	Low voltage switchgear and controlgear - Part 2: Circuit-breakers	EN 60947-2	2017
IEC 60947-3	2008	Low-voltage switchgear and controlgear -	EN 60947-3	2009
+ A1	2012	Part 3: Switches, disconnectors,	+ A1	2012
+ A2	2015	switch-disconnectors and fuse-combination units	+ A2	2015
IEC 60947-5-1	2003	Low-voltage switchgear and controlgear -	EN 60947-5-1	2004
-	-	Part 5-1: Control circuit devices and	+ corr. November	2004
-	-	switching elements - Electromechanical	+ corr. July	2005
+ A1	2009	control circuit devices	+ A1	2009
IEC 60947-5-5	1997	Low-voltage switchgear and controlgear -	EN 60947-5-5	1997
+ A1	2005	Part 5-5: Control circuit devices and	http://www.china-gauges.com/	2009
-	-	switching elements - Electrical	+ A11	2013
+ A2	2016	emergency stop device with mechanical latching function	+ A2	2017
IEC 60947-6-2	2002	Low-voltage switchgear and controlgear -	EN 60947-6-2	2003
+ A1	2007	Part 6-2: Multiple function equipment - Control and protective switching devices (or equipment) (CPS)	+ A1	2007
IEC 61140	2016	Protection against electric shock - Common aspects for installation and equipment	EN 61140	2016
IEC 61310	series	Safety of machinery - Indication, marking and actuation	EN 61310	series

<u>Publication</u>	<u>Year</u>	<u>Title</u>	<u>EN/HD</u>	<u>Year</u>
IEC 61439-1	2011	Low-voltage switchgear and controlgear assemblies - Part 1: General rules	EN 61439-1	2011
IEC 61558-1	2005	Safety of power transformers, power supplies, reactors and similar products -	EN 61558-1	2005
-	-		+ corr. August	2006
+ A1	2009	Part 1: General requirements and tests	+ A1	2009
IEC 61558-2-6	2009	Safety of transformers, reactors, power supply units and similar products for supply voltages up to 1 100 V - Part 2-6: Particular requirements and tests for safety isolating transformers and power supply units incorporating safety isolating transformers	EN 61558-2-6	2009
IEC 61984	2008	Connectors - Safety requirements and tests	EN 61984	2009
IEC 62023	2011	Structuring of technical information and documentation	EN 62023	2012
IEC 62061	2005	Safety of machinery - Functional safety of safety-related electrical, electronic and programmable electronic control systems	EN 62061	2005
-	-		+ corr. February	2010
+ A1	2012		+ A1	2013
+ A2	2015		+ A2	2015
ISO 7010	2011	Graphical symbols - Safety colours and safety signs - Registered safety signs	EN ISO 7010	2012
+ A1	2012		+ A1	2014
+ A2	2012		+ A2	2014
+ A3	2012		+ A3	2014
+ A4	2013		+ A4	2014
+ A5	2014		+ A5	2015
+ A6	2014		+ A6	2016
+ A7	2016		+ A7	2017
ISO 13849-1	2015	Safety of machinery - Safety-related Parts of control systems - Part 1: General principles for design	EN ISO 13849-1 http://www.china-gauges.com/	2015
ISO 13849-2	2012	Safety of machinery - Safety-related Parts of control systems - Part 2: Validation	EN ISO 13849-2	2012
ISO 13850	2006 ³⁾	Safety of machinery - Emergency stop - Principles for design	EN ISO 13850	2006 ⁴⁾

³⁾ Superseded by ISO 13850:2015, *Safety of machinery - Emergency stop function - Principles for design*.

⁴⁾ EN ISO 13850:2006 is superseded by EN ISO 13850:2015, which is based on ISO 13850:2015.

Annex ZZA
(informative)

Relationship between this European Standard and the essential requirements of Directive 2006/42/EC [2006 OJ L 157] aimed to be covered

This European Standard has been prepared under a Commission's standardization request M/396 EN to provide one voluntary means of conforming to essential requirements of Directive 2006/42/EC of the European Parliament and of the Council of 17 May 2006 on machinery, and amending Directive 95/16/EC (recast) [2006 OJ L 157].

Once this standard is cited in the Official Journal of the European Union under that Directive, compliance with the normative clauses of this standard given in Table ZZA.1 confers, within the limits of the scope of this standard, a presumption of conformity with the corresponding requirements of that Directive, and associated EFTA regulations.

Table ZZA.1 – Correspondence between this European Standard and Annex 1 of Directive 2006/42/EC [2006 OJ L 157]

Essential Requirements of Directive 2006/42/EC	Clause(s) / sub-clause(s) of this EN	Remarks / Notes
1.2.1	Clause 4, 5.4, 7.4, 7.5, 7.6, 7.8, 7.10, 8.4, Clause 9, 10.6, 10.9, 11.2.3	
1.2.2	4.4, Clause 10, Clause 11, 16.3	
1.2.3	7.3.1, 7.5, 9.2.3.2, 9.3.1	
1.2.4.1	9.2.2, 9.2.3.3	
1.2.4.2	9.2.2, 9.2.3.3, 9.2.3.6, 9.4	
1.2.4.3	9.2.3.4.2, 10.7	
1.2.4.4	9.2.3.3, 9.2.3.4.2	
1.2.5	9.2.3.5	
1.2.6	5.4, 7.5	
1.5.1	All	
1.5.4	13.4.5(d), Clause 17	http://www.china-gauges.com/
1.5.5	7.4, 16.2.2	
1.6.3	5.3, 10.8	
1.6.4	Clause 11	
1.7.1.	Clause 16, Clause 17	
1.7.1.1	Clause 16, Clause 17	
1.7.1.2	10.1.1, 10.3, 10.4, Clause 16	
1.7.2	Clause 16, Clause 17	
1.7.4.2 (e,g, i,j,m,p,r,s,t)	Clause 17	
1.7.4.2 u, 1.5.8		These essential requirements are specifically excluded as noise has not been considered

Essential Requirements of Directive 2006/42/EC	Clause(s) / sub-clause(s) of this EN	Remarks / Notes
		during the development of the standard
1.5.10, 1.5.11		These essential requirements have been excluded as the electromagnetic compliance information only gives methods that have proved useful and are supplied as guidance.

WARNING 1 — Presumption of conformity stays valid only as long as a reference to this European Standard is maintained in the list published in the Official Journal of the European Union. Users of this standard should consult frequently the latest list published in the Official Journal of the European Union.

WARNING 2 — Other Union legislation may be applicable to the product(s) falling within the scope of this standard.

Annex ZZB
(informative)

Relationship between this European Standard and the safety objectives of Directive 2014/35/EU [2014 OJ L96] aimed to be covered

This European standard has been prepared under a Commission’s standardization request relating to harmonised standards in the field of the Low Voltage Directive, M/511, to provide one voluntary means of conforming to safety objectives of Directive 2014/35/EU of the European Parliament and of the Council of 26 February 2014 on the harmonization of the laws of the Member States relating to the making available on the market of electrical equipment designed for use within certain voltage limits [2014 OJ L96].

Once this standard is cited in the Official Journal of the European Union under that Directive, compliance with the normative clauses of this standard given in Table ZZB.1 confers, within the limits of the scope of this standard, a presumption of conformity with the corresponding safety objectives of that Directive, and associated EFTA regulations.

Table ZZB.1 – Correspondence between this European Standard and Annex I of Directive 2014/35/EU [2014 OJ L96]

Safety objectives of Directive 2014/35/EU	Clause(s) / sub-clause(s) of this EN	Remarks/note
1 a)	Clause 16, 5.1, 5.2, 5.3, 5.6, 6.2, 8.2, 8.3, 10.2, 10.8, 11.1, 11.2, 13.1, 13.2	
1 b)	4.2, 5.3, 5.5, 6.2, 6.2.4, 7.2, 7.2.2, 8.2, 9.2, , 11.2, Clause 12, 13, 13.4.4, 13.4.5, 14.4, Clause 15, Clause 17, Clause 18	
1 c)	<i>Introduction</i> , 1, 3, 11.1, 11.2	Refer to 2a) to 2d) and 3a) to 3c)in this table
2 a)	4.1, 4.2, Clause 5, Clause 6, 7.1, 7.2, 7.7, 7.8, 7.10, Clause 8, Clause 9, 11.3, 11.4, Clause 12, 13.2, Clause 15, Clause 16, Clause 18, Annex A	http://www.china-gauges.com/
2 b)	Clause 4, 4.4.3, 4.5, 7.2, 7.3, 7.4, 7.9, 7.10, 11.2.3, 11.4, Clause 12, 13.1.4, 14.4, 14.5, 16.2.2	For electromagnetic fields, this standard does not provide performance requirements for either immunity or emissions. Only general advice is given. EMF is not covered. Ionizing radiation is not considered.
2 c)	4.1, 4.4.8, 5.3, 5.4, 5.5, 5.6, 7.5, 7.6, Clause 9, Clause 10, 13.1, Clause 14, 15.2	Noise is not considered in this standard. Functional safety is not fully covered. Explosion of batteries has not been covered by this standard. Optical radiation is not covered.
2 d)	6.2.3, 6.3, 6.4, 7.2.7, 9.4, Clause 12, 13.3, 13.4.3, 13.5,	

Safety objectives of Directive 2014/35/EU	Clause(s) / sub-clause(s) of this EN	Remarks/note
	14.4, Clause 18	
3 a)	6.2.2, 6.2.3, 8.2.1, 8.2.2, 8.2.3, 11.4, 12.2, 12.3, 12.6.1, 12.6.2, 13.3, 13.4, 13.5, 14.2 14.6	The standard only considers the mechanical requirements for electrical parts of a machine.
3 b)	4.6, 6.2.3, 10.1.3, 11.3, 11.4, 12.7.6	For EMC, this standard does not provide performance requirements for either immunity or emissions. Only general advice is given Hazard associated with EMC and functional safety are not covered. Safety-related security is not covered
3 c)	3, Clause 7, Clause 8, 9.2, 11.4, 14.6, 15.1	

WARNING 1 — Presumption of conformity stays valid only as long as a reference to this European Standard is maintained in the list published in the Official Journal of the European Union. Users of this standard should consult frequently the latest list published in the Official Journal of the European Union.

WARNING 2 — Other Union legislation may be applicable to the product(s) falling within the scope of this standard.

<http://www.china-gauges.com/>

CONTENTS

FOREWORD.....	10
INTRODUCTION.....	13
1 Scope.....	15
2 Normative references.....	16
3 Terms, definitions and abbreviated terms	17
3.1 Terms and definitions	17
3.2 Abbreviated terms	26
4 General requirements	26
4.1 General.....	26
4.2 Selection of equipment.....	27
4.2.1 General	27
4.2.2 Switchgear.....	27
4.3 Electrical supply.....	28
4.3.1 General	28
4.3.2 AC supplies	28
4.3.3 DC supplies	28
4.3.4 Special supply systems	28
4.4 Physical environment and operating conditions	28
4.4.1 General	28
4.4.2 Electromagnetic compatibility (EMC)	29
4.4.3 Ambient air temperature	29
4.4.4 Humidity	29
4.4.5 Altitude	29
4.4.6 Contaminants.....	29
4.4.7 Ionizing and non-ionizing radiation	30
4.4.8 Vibration, shock, and bump	30
4.5 Transportation and storage.....	30
4.6 Provisions for handling.....	30
5 Incoming supply conductor terminations and devices for disconnecting and switching off	30
5.1 Incoming supply conductor terminations	30
5.2 Terminal for connection of the external protective conductor	31
5.3 Supply disconnecting (isolating) device.....	31
5.3.1 General	31
5.3.2 Type	31
5.3.3 Requirements	32
5.3.4 Operating means of the supply disconnecting device	32
5.3.5 Excepted circuits.....	33
5.4 Devices for removal of power for prevention of unexpected start-up	34
5.5 Devices for isolating electrical equipment	34
5.6 Protection against unauthorized, inadvertent and/or mistaken connection.....	35
6 Protection against electric shock	35
6.1 General.....	35
6.2 Basic protection	35
6.2.1 General	35
6.2.2 Protection by enclosures	36

6.2.3	Protection by insulation of live parts	37
6.2.4	Protection against residual voltages	37
6.2.5	Protection by barriers	37
6.2.6	Protection by placing out of reach or protection by obstacles	37
6.3	Fault protection	37
6.3.1	General	37
6.3.2	Prevention of the occurrence of a touch voltage	38
6.3.3	Protection by automatic disconnection of supply	38
6.4	Protection by the use of PELV	39
6.4.1	General requirements	39
6.4.2	Sources for PELV	40
7	Protection of equipment	40
7.1	General	40
7.2	Overcurrent protection	40
7.2.1	General	40
7.2.2	Supply conductors	40
7.2.3	Power circuits	41
7.2.4	Control circuits	41
7.2.5	Socket outlets and their associated conductors	41
7.2.6	Lighting circuits	41
7.2.7	Transformers	42
7.2.8	Location of overcurrent protective devices	42
7.2.9	Overcurrent protective devices	42
7.2.10	Rating and setting of overcurrent protective devices	42
7.3	Protection of motors against overheating	42
7.3.1	General	42
7.3.2	Overload protection	43
7.3.3	Over-temperature protection	43
7.4	Protection against abnormal temperature	43
7.5	Protection against the effects of supply interruption or voltage reduction and subsequent restoration	44
7.6	Motor overspeed protection	44
7.7	Additional earth fault/residual current protection	44
7.8	Phase sequence protection	44
7.9	Protection against overvoltages due to lightning and to switching surges	44
7.10	Short-circuit current rating	45
8	Equipotential bonding	45
8.1	General	45
8.2	Protective bonding circuit	47
8.2.1	General	47
8.2.2	Protective conductors	47
8.2.3	Continuity of the protective bonding circuit	48
8.2.4	Protective conductor connecting points	49
8.2.5	Mobile machines	49
8.2.6	Additional requirements for electrical equipment having earth leakage currents higher than 10 mA	49
8.3	Measures to restrict the effects of high leakage current	50
8.4	Functional bonding	50
9	Control circuits and control functions	50

9.1	Control circuits	50
9.1.1	Control circuit supply.....	50
9.1.2	Control circuit voltages.....	51
9.1.3	Protection	51
9.2	Control functions	51
9.2.1	General	51
9.2.2	Categories of stop functions	51
9.2.3	Operation.....	51
9.2.4	Cableless control system (CCS)	55
9.3	Protective interlocks	57
9.3.1	Reclosing or resetting of an interlocking safeguard	57
9.3.2	Exceeding operating limits.....	57
9.3.3	Operation of auxiliary functions	57
9.3.4	Interlocks between different operations and for contrary motions.....	57
9.3.5	Reverse current braking	57
9.3.6	Suspension of safety functions and/or protective measures.....	58
9.4	Control functions in the event of failure	58
9.4.1	General requirements.....	58
9.4.2	Measures to minimize risk in the event of failure	59
9.4.3	Protection against malfunction of control circuits.....	60
10	Operator interface and machine-mounted control devices	66
10.1	General.....	66
10.1.1	General requirements.....	66
10.1.2	Location and mounting	66
10.1.3	Protection	66
10.1.4	Position sensors	66
10.1.5	Portable and pendant control stations.....	67
10.2	Actuators	67
10.2.1	Colours.....	67
10.2.2	Markings.....	67
10.3	Indicator lights and displays	68
10.3.1	General	68
10.3.2	Colours.....	68
10.3.3	Flashing lights and displays.....	69
10.4	Illuminated push-buttons	69
10.5	Rotary control devices.....	69
10.6	Start devices.....	69
10.7	Emergency stop devices.....	70
10.7.1	Location of emergency stop devices	70
10.7.2	Types of emergency stop device	70
10.7.3	Operation of the supply disconnecting device to effect emergency stop	70
10.8	Emergency switching off devices	70
10.8.1	Location of emergency switching off devices.....	70
10.8.2	Types of emergency switching off device	70
10.8.3	Local operation of the supply disconnecting device to effect emergency switching off.....	71
10.9	Enabling control device	71
11	Controlgear: location, mounting, and enclosures	71
11.1	General requirements.....	71

11.2	Location and mounting	71
11.2.1	Accessibility and maintenance.....	71
11.2.2	Physical separation or grouping.....	72
11.2.3	Heating effects.....	72
11.3	Degrees of protection	73
11.4	Enclosures, doors and openings	73
11.5	Access to electrical equipment	74
12	Conductors and cables	74
12.1	General requirements.....	74
12.2	Conductors	74
12.3	Insulation	75
12.4	Current-carrying capacity in normal service	75
12.5	Conductor and cable voltage drop	76
12.6	Flexible cables	77
12.6.1	General	77
12.6.2	Mechanical rating.....	77
12.6.3	Current-carrying capacity of cables wound on drums	77
12.7	Conductor wires, conductor bars and slip-ring assemblies.....	78
12.7.1	Basic protection	78
12.7.2	Protective conductors.....	78
12.7.3	Protective conductor current collectors	78
12.7.4	Removable current collectors with a disconnecter function	79
12.7.5	Clearances in air.....	79
12.7.6	Creepage distances	79
12.7.7	Conductor system sectioning.....	79
12.7.8	Construction and installation of conductor wire, conductor bar systems and slip-ring assemblies.....	79
13	Wiring practices.....	80
13.1	Connections and routing.....	80
13.1.1	General requirements.....	80
13.1.2	Conductor and cable runs	80
13.1.3	Conductors of different circuits.....	81
13.1.4	AC circuits – Electromagnetic effects (prevention of eddy currents).....	81
13.1.5	Connection between pick-up and pick-up converter of an inductive power supply system.....	81
13.2	Identification of conductors.....	81
13.2.1	General requirements.....	81
13.2.2	Identification of the protective conductor / protective bonding conductor.....	82
13.2.3	Identification of the neutral conductor	82
13.2.4	Identification by colour	83
13.3	Wiring inside enclosures.....	83
13.4	Wiring outside enclosures	84
13.4.1	General requirements.....	84
13.4.2	External ducts	84
13.4.3	Connection to moving elements of the machine	84
13.4.4	Interconnection of devices on the machine	85
13.4.5	Plug/socket combinations	85
13.4.6	Dismantling for shipment.....	86
13.4.7	Additional conductors.....	86

13.5	Ducts, connection boxes and other boxes	86
13.5.1	General requirements.....	86
13.5.2	Rigid metal conduit and fittings.....	87
13.5.3	Flexible metal conduit and fittings.....	87
13.5.4	Flexible non-metallic conduit and fittings	87
13.5.5	Cable trunking systems	87
13.5.6	Machine compartments and cable trunking systems	88
13.5.7	Connection boxes and other boxes	88
13.5.8	Motor connection boxes	88
14	Electric motors and associated equipment.....	88
14.1	General requirements.....	88
14.2	Motor enclosures	88
14.3	Motor dimensions.....	89
14.4	Motor mounting and compartments	89
14.5	Criteria for motor selection	89
14.6	Protective devices for mechanical brakes	89
15	Socket-outlets and lighting.....	90
15.1	Socket-outlets for accessories	90
15.2	Local lighting of the machine and of the equipment	90
15.2.1	General	90
15.2.2	Supply	90
15.2.3	Protection	91
15.2.4	Fittings	91
16	Marking, warning signs and reference designations	91
16.1	General.....	91
16.2	Warning signs	91
16.2.1	Electric shock hazard.....	91
16.2.2	Hot surfaces hazard.....	92
16.3	Functional identification.....	92
16.4	Marking of enclosures of electrical equipment.....	92
16.5	Reference designations.....	92
17	Technical documentation	92
17.1	General.....	92
17.2	Information related to the electrical equipment.....	93
18	Verification	94
18.1	General.....	94
18.2	Verification of conditions for protection by automatic disconnection of supply	94
18.2.1	General	94
18.2.2	Test 1 – Verification of the continuity of the protective bonding circuit	95
18.2.3	Test 2 – Fault loop impedance verification and suitability of the associated overcurrent protective device	95
18.2.4	Application of the test methods for TN-systems.....	95
18.3	Insulation resistance tests	97
18.4	Voltage tests.....	98
18.5	Protection against residual voltages	98
18.6	Functional tests.....	98
18.7	Retesting	98
Annex A (normative)	Fault protection by automatic disconnection of supply.....	99

A.1	Fault protection for machines supplied from TN-systems	99
A.1.1	General	99
A.1.2	Conditions for protection by automatic disconnection of the supply by overcurrent protective devices	99
A.1.3	Condition for protection by reducing the touch voltage below 50 V	100
A.1.4	Verification of conditions for protection by automatic disconnection of the supply	101
A.2	Fault protection for machines supplied from TT-systems	103
A.2.1	Connection to earth	103
A.2.2	Fault protection for TT systems	103
A.2.3	Verification of protection by automatic disconnection of supply using a residual current protective device	104
A.2.4	Measurement of the fault loop impedance (Z_S)	105
Annex B (informative)	Enquiry form for the electrical equipment of machines	107
Annex C (informative)	Examples of machines covered by this part of IEC 60204	111
Annex D (informative)	Current-carrying capacity and overcurrent protection of conductors and cables in the electrical equipment of machines	113
D.1	General	113
D.2	General operating conditions	113
D.2.1	Ambient air temperature	113
D.2.2	Methods of installation	113
D.2.3	Grouping	115
D.2.4	Classification of conductors	116
D.3	Co-ordination between conductors and protective devices providing overload protection	116
D.4	Overcurrent protection of conductors	117
D.5	Effect of harmonic currents on balanced three-phase systems	118
Annex E (informative)	Explanation of emergency operation functions	119
Annex F (informative)	Guide for the use of this part of IEC 60204	120
Annex G (informative)	Comparison of typical conductor cross-sectional areas	122
Annex H (informative)	Measures to reduce the effects of electromagnetic influences	124
H.1	Definitions	124
H.1.1	apparatus	124
H.1.2	fixed installation	124
H.2	General	124
H.3	Mitigation of electromagnetic interference (EMI)	124
H.3.1	General	124
H.3.2	Measures to reduce EMI	125
H.4	Separation and segregation of cables	125
H.5	Power supply of a machine by parallel sources	129
H.6	Supply impedance where a Power Drive System (PDS) is used	129
Annex I (informative)	Documentation / Information	130
Bibliography	132
Figure 1	– Block diagram of a typical machine	14
Figure 2	– Disconnecter isolator	33
Figure 3	– Disconnecting circuit breaker	33
Figure 4	– Example of equipotential bonding for electrical equipment of a machine	46

<http://www.china-gauges.com/>

Figure 5 – Symbol IEC 60417-5019: Protective earth.....	49
Figure 6 – Symbol IEC 60417-5020: Frame or chassis.....	50
Figure 7 – Method a) Earthed control circuit fed by a transformer.....	60
Figure 8 – Method b1) Non-earthed control circuit fed by transformer.....	61
Figure 9 – Method b2) Non-earthed control circuit fed by transformer.....	62
Figure 10 – Method b3) Non-earthed control circuit fed by transformer.....	62
Figure 11 – Method c) Control circuits fed by transformer with an earthed centre-tap winding.....	63
Figure 12 – Method d1a) Control circuit without transformer connected between a phase and the neutral of an earthed supply system	64
Figure 13 – Method d1b) Control circuit without transformer connected between two phases of an earthed supply system.....	64
Figure 14 – Method d2a) Control circuit without transformer connected between phase and neutral of a non-earthed supply system	65
Figure 15 – Method d2b) control circuit without transformer connected between two phases of a non-earthed supply system.....	65
Figure 16 – Symbol IEC 60417-5019	82
Figure 17 – Symbol IEC 60417-5021	82
Figure 18 – Symbol ISO 7010-W012.....	91
Figure 19 – Symbol ISO 7010-W017.....	92
Figure A.1 – Typical arrangement for fault loop impedance (Z_S) measurement in TN systems.....	102
Figure A.2 – Typical arrangement for fault loop impedance (Z_S) measurement for power drive system circuits in TN systems.....	102
Figure A.3 – Typical arrangement for fault loop impedance (Z_S) measurement in TT systems.....	105
Figure A.4 – Typical arrangement for fault loop impedance (Z_S) measurement for power drive system circuits in TT systems.....	106
Figure D.1 – Methods of conductor and cable installation independent of number of conductors/cables.....	114
Figure D.2 – Parameters of conductors and protective devices	116
Figure H.1 – By-pass conductor for screen reinforcement.....	125
Figure H.2 – Examples of vertical separation and segregation	127
Figure H.3 – Examples of horizontal separation and segregation	127
Figure H.4 – Cable arrangements in metal cable trays	128
Figure H.5 – Connections between metal cable trays or cable trunking systems	128
Figure H.6 – Interruption of metal cable trays at fire barriers.....	129
Table 1 – Minimum cross-sectional area of copper protective conductors.....	31
Table 2 – Symbols for actuators (Power).....	68
Table 3 – Symbols for actuators (Machine operation).....	68
Table 4 – Colours for indicator lights and their meanings with respect to the condition of the machine.....	69
Table 5 – Minimum cross-sectional areas of copper conductors	75

Table 6 – Examples of current-carrying capacity (I_Z) of PVC insulated copper conductors or cables under steady-state conditions in an ambient air temperature of +40 °C for different methods of installation	76
Table 7 – Derating factors for cables wound on drums	78
Table 8 – Minimum permitted bending radii for the forced guiding of flexible cables.....	85
Table 9 – Application of the test methods for TN-systems	96
Table 10 – Examples of maximum cable lengths from protective devices to their loads for TN-systems	97
Table A.1 – Maximum disconnecting times for TN systems	99
Table A.2 – Maximum disconnecting time for TT-systems	104
Table D.1 – Correction factors.....	113
Table D.2 – Derating factors for I_Z for grouping	115
Table D.3 – Derating factors for I_Z for multicore cables up to 10 mm ²	115
Table D.4 – Classification of conductors.....	116
Table D.5 – Maximum allowable conductor temperatures under normal and short-circuit conditions.....	117
Table F.1 – Application options	121
Table G.1 – Comparison of conductor sizes.....	122
Table H.1 – Minimum separation distances using metallic containment as illustrated in Figure H.2	126
Table I.1 – Documentation / Information that can be applicable.....	130

INTERNATIONAL ELECTROTECHNICAL COMMISSION

**SAFETY OF MACHINERY –
ELECTRICAL EQUIPMENT OF MACHINES –****Part 1: General requirements**

FOREWORD

- 1) The International Electrotechnical Commission (IEC) is a worldwide organization for standardization comprising all national electrotechnical committees (IEC National Committees). The object of IEC is to promote international co-operation on all questions concerning standardization in the electrical and electronic fields. To this end and in addition to other activities, IEC publishes International Standards, Technical Specifications, Technical Reports, Publicly Available Specifications (PAS) and Guides (hereafter referred to as “IEC Publication(s)”). Their preparation is entrusted to technical committees; any IEC National Committee interested in the subject dealt with may participate in this preparatory work. International, governmental and non-governmental organizations liaising with the IEC also participate in this preparation. IEC collaborates closely with the International Organization for Standardization (ISO) in accordance with conditions determined by agreement between the two organizations.
- 2) The formal decisions or agreements of IEC on technical matters express, as nearly as possible, an international consensus of opinion on the relevant subjects since each technical committee has representation from all interested IEC National Committees.
- 3) IEC Publications have the form of recommendations for international use and are accepted by IEC National Committees in that sense. While all reasonable efforts are made to ensure that the technical content of IEC Publications is accurate, IEC cannot be held responsible for the way in which they are used or for any misinterpretation by any end user.
- 4) In order to promote international uniformity, IEC National Committees undertake to apply IEC Publications transparently to the maximum extent possible in their national and regional publications. Any divergence between any IEC Publication and the corresponding national or regional publication shall be clearly indicated in the latter.
- 5) IEC itself does not provide any attestation of conformity. Independent certification bodies provide conformity assessment services and, in some areas, access to IEC marks of conformity. IEC is not responsible for any services carried out by independent certification bodies.
- 6) All users should ensure that they have the latest edition of this publication.
- 7) No liability shall attach to IEC or its directors, employees, servants or agents including individual experts and members of its technical committees and IEC National Committees for any personal injury, property damage or other damage of any nature whatsoever, whether direct or indirect, or for costs (including legal fees) and expenses arising out of the publication, use of, or reliance upon, this IEC Publication or any other IEC Publications.
- 8) Attention is drawn to the Normative references cited in this publication. Use of the referenced publications is indispensable for the correct application of this publication. <http://www.china-gauges.com/>
- 9) Attention is drawn to the possibility that some of the elements of this IEC Publication may be the subject of patent rights. IEC shall not be held responsible for identifying any or all such patent rights.

International Standard IEC 60204-1 has been prepared by IEC technical committee 44: Safety of machinery – Electrotechnical aspects.

This sixth edition cancels and replaces the fifth edition published in 2005. It constitutes a technical revision.

This edition includes the following significant technical changes with respect to the previous edition:

- a) added requirements to address applications involving power drive systems (PDS);
- b) revised electromagnetic compatibility (EMC) requirements;
- c) clarified overcurrent protection requirements;
- d) requirements for determination of the short circuit current rating of the electrical equipment;

- e) revised protective bonding requirements and terminology;
- f) reorganization and revision to Clause 9, including requirements pertaining to safe torque off of PDS, emergency stop, and control circuit protection;
- g) revised symbols for actuators of control devices;
- h) revised technical documentation requirements;
- i) general updating to current special national conditions, normative standards, and bibliographical references.

The text of this standard is based on the following documents:

FDIS	Report on voting
44/765/FDIS	44/771/RVD

Full information on the voting for the approval of this standard can be found in the report on voting indicated in the above table.

This publication has been drafted in accordance with the ISO/IEC Directives, Part 2.

A list of all parts in the IEC 60204 series, published under the general title *Safety of machinery – Electrical equipment of machines*, can be found on the IEC website.

The following differing practices of a less permanent nature exist in the countries indicated below.

- 4.3.1: The voltage characteristics of electricity supplied by public distribution systems in Europe are given in EN 50160:2010.
- 5.1: Exception is not allowed (USA).
- 5.1: TN-C systems are not permitted in low-voltage installations in buildings (Norway).
- 5.2: Terminals for the connection of the protective earthing conductors may be identified by the colour green, the letters “G” or “GR” or “GRD” or “GND”, or the word “ground” or “grounding”, or with the graphical symbol IEC 60417-5019:2006-08 or any combination (USA).
- 6.3.3 b), 13.4.5 b), 18.2.1: TT power systems are not allowed (USA).
- 6.3.3, 18.2, Annex A: TN systems are not used. TT systems are the national standard (Japan).
- 6.3.3 b): The use of residual current protective devices with a <http://www.chinacables.com/> current not exceeding 1 A is mandatory in TT systems as a means for fault protection by automatic disconnection of supply (Italy).
- 7.2.3: Disconnection of the neutral conductor is mandatory in a TN-S system (France and Norway).
- 7.2.3: Third paragraph: distribution of a neutral conductor with an IT system is not allowed (USA and Norway).
- 7.10: For evaluation of short circuit ratings the requirements of UL 508A Supplement SB, may be used (USA).
- 8.2.2: See IEC 60364-5-54:2011, Annex E List of notes concerning certain countries.
- 9.1.2: Maximum nominal AC control circuit voltage is 120 V (USA).
- 12.2: Only stranded conductors are allowed on machines, except for 0,2 mm² solid conductors within enclosures (USA).
- 12.2: The smallest power circuit conductor allowed on machines is 0,82 mm² (AWG 18) in multiconductor cables or in enclosures (USA).
- Table 5: Cross-sectional area is specified in NFPA 79 using American Wire Gauge (AWG) (USA). See Annex G.

- 13.2.2: For the protective conductor, the colour identification GREEN (with or without YELLOW stripes) is used as equivalent to the bicolour combination GREEN-AND-YELLOW (USA and Canada).
- 13.2.3: The colour identification WHITE or GREY is used for earthed neutral conductors instead of the colour identification BLUE (USA and Canada).
- 15.2.2: First paragraph: Maximum value between conductors 150 V (USA).
- 15.2.2: Second paragraph, 5th bullet: The full load current rating of lighting circuits does not exceed 15 A (USA).
- 16.4: Nameplate marking requirements (USA).
- A.2.2.2: The permissible maximum value of R_A is regulated (e.g. when $U_o \geq 300V$, R_A shall be less than 10Ω , when $U_o < 300 V$, R_A shall be less than 100Ω , U_o is the nominal AC line to earth voltage in volts (V) (Japan).
- A.2.2.2: The maximum permissible value of R_A is 83Ω (Netherlands).

The committee has decided that the contents of this publication will remain unchanged until the stability date indicated on the IEC website under "<http://webstore.iec.ch>" in the data related to the specific publication. At this date, the publication will be

- reconfirmed,
- withdrawn,
- replaced by a revised edition, or
- amended.

IMPORTANT – The 'colour inside' logo on the cover page of this publication indicates that it contains colours which are considered to be useful for the correct understanding of its contents. Users should therefore print this document using a colour printer.

INTRODUCTION

This part of IEC 60204 provides requirements and recommendations relating to the electrical equipment of machines so as to promote:

- safety of persons and property;
- consistency of control response;
- ease of operation and maintenance.

More guidance on the use of this part of IEC 60204 is given in Annex F.

Figure 1 has been provided as an aid to the understanding of the inter-relationship of the various elements of a machine and its associated equipment. Figure 1 is a block diagram of a typical machine and associated equipment showing the various elements of the electrical equipment addressed in this part of IEC 60204. Numbers in parentheses () refer to Clauses and Subclauses in this part of IEC 60204. It is understood in Figure 1 that all of the elements taken together including the safeguards, tooling/fixtures, software, and the documentation, constitute the machine, and that one or more machines working together with usually at least one level of supervisory control constitute a manufacturing cell or system.

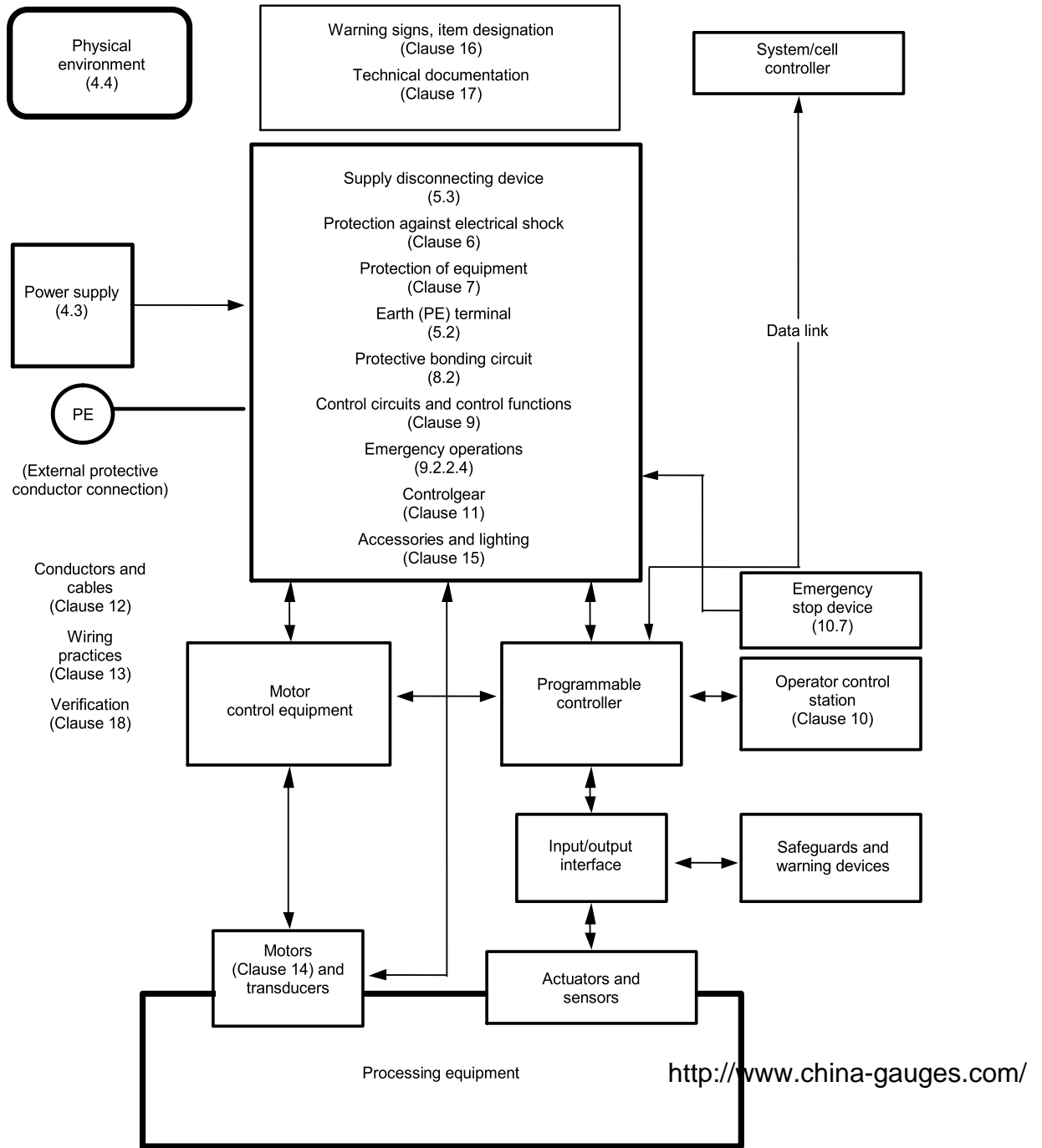


Figure 1 – Block diagram of a typical machine

SAFETY OF MACHINERY – ELECTRICAL EQUIPMENT OF MACHINES –

Part 1: General requirements

1 Scope

This part of IEC 60204 applies to electrical, electronic and programmable electronic equipment and systems to machines not portable by hand while working, including a group of machines working together in a co-ordinated manner.

NOTE 1 This part of IEC 60204 is an application standard and is not intended to limit or inhibit technological advancement.

NOTE 2 In this part of IEC 60204, the term “electrical” includes electrical, electronic and programmable electronic matters (i.e. “electrical equipment” means electrical, electronic and programmable electronic equipment).

NOTE 3 In the context of this part of IEC 60204, the term “person” refers to any individual and includes those persons who are assigned and instructed by the user or his agent(s) in the use and care of the machine in question.

The equipment covered by this part of IEC 60204 commences at the point of connection of the supply to the electrical equipment of the machine (see 5.1).

NOTE 4 The requirements for the electrical supply installation are given in the IEC 60364 series.

This part of IEC 60204 is applicable to the electrical equipment or parts of the electrical equipment that operate with nominal supply voltages not exceeding 1 000 V for alternating current (AC) and not exceeding 1 500 V for direct current (DC), and with nominal supply frequencies not exceeding 200 Hz.

NOTE 5 Information on electrical equipment or parts of the electrical equipment that operate with higher nominal supply voltages can be found in IEC 60204-11.

This part of IEC 60204 does not cover all the requirements (for example guarding, interlocking, or control) that are needed or required by other standards or regulations in order to protect persons from hazards other than electrical hazards. Each type of machine has unique requirements to be accommodated to provide adequate safety.

<http://www.china-gauges.com/>

This part of IEC 60204 specifically includes, but is not limited to, the electrical equipment of machines as defined in 3.1.40.

NOTE 6 Annex C lists examples of machines whose electrical equipment can be covered by this part of IEC 60204.

This part of IEC 60204 does not specify additional and special requirements that can apply to the electrical equipment of machines that, for example:

- are intended for use in open air (i.e. outside buildings or other protective structures);
- use, process, or produce potentially explosive material (for example paint or sawdust);
- are intended for use in potentially explosive and/or flammable atmospheres;
- have special risks when producing or using certain materials;
- are intended for use in mines;
- are sewing machines, units, and systems (which are covered by IEC 60204-31);
- are hoisting machines (which are covered by IEC 60204-32);
- are semiconductor fabrication equipment (which are covered by IEC 60204-33).

Power circuits where electrical energy is directly used as a working tool are excluded from this part of IEC 60204.

2 Normative references

The following documents, in whole or in part, are normatively referenced in this document and are indispensable for its application. For dated references, only the edition cited applies. For undated references, the latest edition of the referenced document (including any amendments) applies.

 NOTE In CENELEC, Annex ZA applies instead of Clause 2. 

IEC 60034-1, *Rotating electrical machines – Part 1: Rating and performance*

IEC 60072 (all parts), *Dimensions and output series for rotating electrical machines*

IEC 60309-1, *Plugs, socket-outlets, and couplers for industrial purposes – Part 1: General requirements*

IEC 60364-1, *Low-voltage electrical installations – Part 1: Fundamental principles, assessment of general characteristics, definitions*

IEC 60364-4-41:2005, *Low-voltage electrical installations – Part 4-41: Protection for safety – Protection against electric shock*

IEC 60364-4-43:2008, *Low-voltage electrical installations – Part 4-43: Protection for safety – Protection against overcurrent*

IEC 60364-5-52:2009, *Low-voltage electrical installations – Part 5-52: Selection and erection of electrical equipment – Wiring systems*

IEC 60364-5-53:2001, *Electrical installations of buildings – Part 5-53: Selection and erection of electrical equipment – Isolation, switching and control*

IEC 60364-5-53:2001/AMD1:2002

IEC 60364-5-54:2011, *Low-voltage electrical installations – Part 5-54: Selection and erection of electrical equipment – Earthing arrangements and protective conductors*

IEC 60417, *Graphical symbols for use on equipment*. Available from: <http://www.graphical-symbols.info/equipment>

<http://www.china-gauges.com/>

IEC 60445:2010, *Basic and safety principles for man-machine interface, marking and identification – Identification of equipment terminals, conductor terminations and conductors*

IEC 60529, *Degrees of protection provided by enclosures (IP Code)*

IEC 60664-1, *Insulation coordination for equipment within low-voltage systems – Part 1: Principles, requirements and tests*

IEC 60947-2, *Low-voltage switchgear and controlgear – Part 2: Circuit-breakers*

IEC 60947-3, *Low-voltage switchgear and controlgear – Part 3: Switches, disconnectors, switch-disconnectors, and fuse-combination units*

IEC 60947-5-1:2003, *Low-voltage switchgear and controlgear – Part 5-1: Control circuit devices and switching elements – Electromechanical control circuit devices*

IEC 60947-5-1:2003/AMD1:2009

IEC 60947-5-5, *Low-voltage switchgear and controlgear – Part 5-5: Control circuit devices and switching elements – Electrical emergency stop device with mechanical latching function*

IEC 60947-6-2, *Low-voltage switchgear and controlgear – Part 6-2: Multiple function equipment – Control and protective switching devices(or equipment) (CPS)*

IEC 61140, *Protection against electric shock – Common aspects for installation and equipment*

IEC 61310 (all parts), *Safety of machinery – Indication, marking and actuation*

IEC 61439-1, *Low-voltage switchgear and controlgear assemblies – Part 1: General rules*

IEC 61558-1:2005, *Safety of power transformers, power supplies, reactors and similar products – Part 1: General requirements and tests*
IEC 61558-1:2005/AMD1:2009

IEC 61558-2-6, *Safety of transformers, reactors, power supply units and similar products for supply voltages up to 1 100 V – Part 2-6: Particular requirements and tests for safety isolating transformers and power supply units incorporating safety isolating transformers*

IEC 61984, *Connectors – Safety requirements and tests*

IEC 62023, *Structuring of technical information and documentation*

IEC 62061, *Safety of machinery – Functional safety of safety-related electrical, electronic and programmable electronic control systems*

ISO 7010:2011, *Graphical symbols – Safety colours and safety signs – Registered safety signs*

ISO 13849-1, *Safety of machinery – Safety-related parts of control systems – Part 1: General principles for design*

ISO 13849-2, *Safety of machinery – Safety-related parts of control systems – Part 2: Validation*

ISO 13850:2006, *Safety of machinery – Emergency stop function – Principles for design* <http://www.china-gauges.com/>

3 Terms, definitions and abbreviated terms

3.1 Terms and definitions

For the purposes of this document, the following terms and definitions apply.

3.1.1 actuator

part of a device to which an external action is to be applied

Note 1 to entry: The actuator may take the form of a handle, knob, push-button, roller, plunger, etc.

Note 2 to entry: There are some actuating means that do not require an external actuating force, but only an action, e.g. touchscreens.

Note 3 to entry: See also 3.1.39.

3.1.2**ambient temperature**

temperature of the air or other medium where the equipment is to be used

3.1.3**barrier**

part providing protection against contact with live parts from any usual direction of access

3.1.4**basic protection**

protection against electric shock under fault-free conditions

Note 1 to entry: Previously referred to as “protection against direct contact”

[SOURCE: IEC 60050-195:1998, 195-06-01, modified – The note has been added.]

3.1.5**cable tray**

cable support consisting of a continuous base and raised edges and no covering

Note 1 to entry: A cable tray may be perforated or non-perforated.

[SOURCE: IEC 60050-826:2004, 826-15-08]

3.1.6**cable trunking system**

system of closed enclosures comprising a base with a removable cover intended for the complete surrounding of insulated conductors or cables

3.1.7**concurrent**

occurring or operating at the same time (but not necessarily synchronously)

3.1.8**conductor wire**

conductor bar

conductive wire or bar of a feeder system with a sliding current collector

3.1.9**conduit**

part of a closed wiring system of circular or non-circular cross-section for insulated conductors and/or cables in electrical installations

<http://www.china-gauges.com/>

Note 1 to entry: Conduits should be sufficiently close-jointed so that the insulated conductors and/or cables can only be drawn in and not inserted laterally.

[SOURCE: IEC 60050-442:1998, 442-02-03, modified – The definition has been amended and the note has been added.]

3.1.10**control circuit, <of a machine>**

circuit used for the control, including monitoring, of a machine and the electrical equipment

3.1.11**control device**

device connected into the control circuit and used for controlling the operation of the machine

EXAMPLE Position sensor, manual control switch, relay, contactor, magnetically operated valve.

3.1.12**control station****operator control station**

assembly of one or more control actuators (see 3.1.1) fixed on the same panel or located in the same enclosure

Note 1 to entry: A control station may also contain related equipment, for example, potentiometers, signal lamps, instruments, display devices, etc.

[SOURCE: IEC 60050-441:1984, 441-12-08, modified – The second preferred term has been added, the word "switches" has been replaced by "actuators" in the definition and the note has been added.]

3.1.13**controlgear**

switching devices and their combination with associated control, measuring, protective, and regulating equipment, also assemblies of such devices and equipment with associated interconnections, accessories, enclosures, and supporting structures, intended in principle for the control of electrical energy consuming equipment

[SOURCE: IEC 60050-441:1984, 441-11-03]

3.1.14**controlled stop**

stopping of machine motion with power to the machine actuators maintained during the stopping process

3.1.15**direct contact**

contact of persons or livestock with live parts

Note 1 to entry: See 3.1.4.

[SOURCE: IEC 60050-826:2004, 826-12-03, modified – The note has been added.]

3.1.16**direct opening action**, <of a contact element>

achievement of contact separation as the direct result of a specified movement of the switch actuator through non-resilient members (for example not dependent upon springs)

[SOURCE: IEC 60947-5-1:2003, K.2.2]

<http://www.china-gauges.com/>

3.1.17**duct**

enclosed channel designed expressly for holding and protecting electrical conductors, cables, and busbars

Note 1 to entry: Conduits (see 3.1.9), cable trunking systems (see 3.1.6) and underfloor channels are types of duct.

3.1.18**earth****local earth****ground (US)****local ground (US)**

part of the Earth which is in electric contact with an earth electrode and the electrical potential of which is not necessarily equal to zero

[SOURCE: IEC 60050-195:1998, 195-01-03]

3.1.19**electrical operating area**

room or location for electrical equipment to which access is intended to be restricted to skilled or instructed persons, by the opening of a door or the removal of a barrier without the use of a key or tool, and which is clearly marked by appropriate warning signs

3.1.20**electronic equipment**

part of the electrical equipment containing circuitry dependent for its operation on electronic devices and components

3.1.21**emergency stop device**

manually actuated control device used to initiate an emergency stop function

Note 1 to entry: See 9.2.3.4.2.

[SOURCE: ISO 13850:2006, 3.2, modified – The note has been added.]

3.1.22**emergency switching off device**

manually actuated control device used to switch off or to initiate the switching off of the supply of electrical energy to all or a part of an installation where a risk of electric shock or another risk of electrical origin is involved

Note 1 to entry: See 9.2.3.4.3.

3.1.23**enclosed electrical operating area**

room or location for electrical equipment to which access is intended to be restricted to skilled or instructed persons by the use of a key or tool to open a door, or remove a barrier, and which is clearly marked by appropriate warning signs

3.1.24**enclosure**

part providing protection of equipment against certain external influences and, in any direction, basic protection as protection against direct contact

Note 1 to entry: The existing definition taken from the IECV needs the following explanations within the scope of this part of IEC 60204:

- a) Enclosures provide protection of persons or livestock against access to hazardous parts.
- b) Barriers, shaped openings, or any other means suitable to prevent or limit the penetration of the specified test probes, whether attached to the enclosure or formed by the enclosed equipment, are considered as part of the enclosure, except where they can be removed without the use of a key or tool.
- c) An enclosure may be:
 - a cabinet or box, either mounted on the machine or separate from the machine;
 - a compartment consisting of an enclosed space within the machine structure.

[SOURCE: IEC 60050-195:1998, 195-02-35, modified – The definition has been amended.]

3.1.25**electrical equipment**

items used in connection with the utilisation of electricity by machines or parts of machines, for example material, fittings, devices, components, appliances, fixtures, apparatus, and similar

3.1.26**equipotential bonding**

provision of electric connections between conductive parts, intended to achieve equipotentiality

[SOURCE: IEC 60050-195:1998, 195-01-10]

3.1.27**exposed conductive part**

conductive part of electrical equipment, which can be touched and which is not live under normal operating conditions, but which can become live under fault conditions

[SOURCE: IEC 60050-826:2004, 826-12-10, modified – The definition has been amended.]

3.1.28**extraneous-conductive-part**

conductive part not forming part of the electrical installation and liable to introduce an electric potential, generally the electric potential of a local earth

[SOURCE: IEC 60050-195:1998, 195-06-11]

3.1.29**failure**

termination of the ability of an item to perform a required function

Note 1 to entry: After failure, the item has a fault.

Note 2 to entry: "Failure" is an event, as distinguished from "fault", which is a state.

Note 3 to entry: This concept as defined does not apply to items consisting of software only.

Note 4 to entry: In practice, the terms fault and failure are often used synonymously.

[SOURCE: IEC 60050-191:1990, 191-04-01]

3.1.30**fault**

state of an item characterized by inability to perform a required function, excluding the inability during preventive maintenance or other planned actions, or due to lack of external resources

<http://www.china-gauges.com/>

Note 1 to entry: A fault is often the result of a failure of the item itself, but may exist without prior failure.

Note 2 to entry: In English, the term "fault" and its definition are identical with those given in IEC 60050-191:1990, 191-05-01. In the field of machinery, the French term "défaut" and the German term "Fehler" are used rather than the terms "panne" and "Fehlzustand" that appear with this definition.

3.1.31**fault protection**

protection against electric shock under single-fault conditions

Note 1 to entry: Previously referred to as "protection against indirect contact"

[SOURCE: IEC 60050-195:1998, 195-06-02, modified – the Note has been added]

3.1.32**functional bonding**

equipotential bonding necessary for proper functioning of electrical equipment

3.1.33 hazard

potential source of physical injury or damage to health

Note 1 to entry: The term hazard can be qualified in order to define its origin (for example, mechanical hazard, electrical hazard) or the nature of the potential harm (for example, electric shock hazard, cutting hazard, toxic hazard, fire hazard).

Note 2 to entry: The hazard envisaged in this definition:

- either is permanently present during the intended use of the machine (for example motion of hazardous moving elements, electric arc during a welding phase, unhealthy posture, noise emission, high temperature);
- or can appear unexpectedly (for example: explosion, crushing hazard as a consequence of an unintended/unexpected start-up, ejection as a consequence of a breakage, fall as a consequence of acceleration/deceleration).

[SOURCE: ISO 12100:2010, 3.6, modified – The word “harm” has been replaced by “ physical injury or damage to health” in the definition and Note 3 has been removed]

3.1.34 indirect contact

contact of persons or livestock with exposed conductive parts which have become live under fault conditions

Note 1 to entry: See 3.1.31.

[SOURCE: IEC 60050-826:2004, 826-12-04, modified – The definition has been amended.]

3.1.35 inductive power supply system

system of inductive power transfer, consisting of a track converter and a track conductor, along which one or more pick-up(s) and associated pick-up converter(s) can move, without any galvanic or mechanical contact, in order to transfer electrical power for example to a mobile machine

Note 1 to entry: The track conductor and the pick-up are analogous to the primary and secondary of a transformer respectively.

3.1.36 instructed person, <in electricity>

person adequately advised or supervised by an electrically skilled person to enable him or her to perceive risks and to avoid hazards which electricity can create

[SOURCE: IEC 60050-826:2004, 826-18-02, modified – “an electrically skilled person” has been used to replace “electrically skilled persons”] <http://www.china-gauges.com/>

3.1.37 interlock

arrangement of devices operating together to:

- prevent hazardous situations, or
- prevent damage to equipment or material, or
- prevent specified operations, or
- ensure correct operations

3.1.38 live part

conductor or conductive part intended to be energized in normal use, including a neutral conductor, but, by convention, not a PEN conductor

3.1.39**machine actuator**

power mechanism of the machine used to effect motion (for example, motor, solenoid, pneumatic or hydraulic cylinder)

3.1.40**machinery
machine**

assembly of linked parts or components, at least one of which moves, with the appropriate machine actuators, control and power circuits, joined together for a specific application, in particular for the processing, treatment, moving or packaging of a material

Note 1 to entry: The term "machinery" also covers an assembly of machines which, in order to achieve the same end, are arranged and controlled so that they function as an integral whole.

Note 2 to entry: The term "component" is used here in a general sense and it does not refer only to electrical components.

[SOURCE: ISO 12100:2010, 3.1, modified – The definition has been amended and Note 2 referring to an Annex has been removed and replaced by the present Note 2 to entry.]

3.1.41**marking**

signs or inscriptions primarily for the purpose of identifying equipment, components and/or devices

3.1.42**neutral conductor****N**

conductor electrically connected to the neutral point and capable of contributing to the distribution of electrical energy

[SOURCE: IEC 60050-195:1998, 195-02-06]

3.1.43**obstacle**

part preventing unintentional direct contact with live parts, but not preventing direct contact by deliberate action

[SOURCE: IEC 60050-195:1998, 195-06-16, modified – The words "(electrically) protective" have been removed from the term.] <http://www.china-gauges.com/>

3.1.44**overcurrent**

current exceeding the rated value

Note 1 to entry: For conductors, the rated value is considered as equal to the current-carrying capacity.

[SOURCE: IEC 60050-826:2004, 826-11-14, modified – The definition has been amended.]

3.1.45**overload of a circuit**

time/current relationship in a circuit which is in excess of the rated full load of the circuit when the circuit is not under a fault condition

Note 1 to entry: Overload should not be used as a synonym for overcurrent.

3.1.46**plug/socket combination**

component and a suitable mating component, appropriate to terminate conductors, intended for connection or disconnection of two or more conductors

Note 1 to entry: Examples of plug/socket combination include:

- connectors which fulfil the requirements of IEC 61984;
- a plug and socket-outlet, a cable coupler, or an appliance coupler in accordance with IEC 60309-1;
- a plug and socket-outlet in accordance with IEC 60884-1 or an appliance coupler in accordance with IEC 60320-1.

3.1.47**power circuit**

circuit that supplies power to units of equipment used for productive operation and to transformers supplying control circuits

3.1.48**prospective short-circuit current** **I_{cp}**

r.m.s. value of the current which would flow when the supply conductors to the electrical equipment are short-circuited by a conductor of negligible impedance located as near as practicable to the supply terminals of the electrical equipment

[SOURCE: IEC 61439-1: 2011, 3.8.7, modified – “assembly” has been replaced by “electrical equipment”]

3.1.49**protective bonding**

equipotential bonding for protection against electric shock

Note 1 to entry: Measures for protection against electric shock can also reduce the risk of burns or fire.

Note 2 to entry: Protective bonding can be achieved with protective conductors and protective bonding conductors and by conductive joining of conductive parts of the machine and its electrical equipment.

3.1.50**protective bonding circuit**

protective conductors and conductive parts connected together to provide protection against electric shock in the event of an insulation failure

3.1.51**protective conductor**

conductor providing a primary fault current path from the exposed conductive parts of the electrical equipment to a protective earthing (PE) terminal

<http://www.china-gauges.com/>

3.1.52**redundancy**

application of more than one device or system, or part of a device or system, with the objective of ensuring that in the event of one failing to perform its function, another is available to perform that function

3.1.53**reference designation**

distinctive code which serves to identify an object in the documentation and on the equipment

3.1.54**risk**

combination of the probability of occurrence of harm (i.e. physical injury or damage to health) and the severity of that harm

[SOURCE: ISO 12100:2010, 3.12, modified – The text in parentheses has been added]

3.1.55

safeguard

guard or protective device provided as a means to protect persons from a hazard

[SOURCE: ISO 12100:2010, 3.26, modified – The words “provided as a means to protect persons from a hazard” have been added.]

3.1.56

safeguarding

protective measure using safeguards to protect persons from the hazards which cannot reasonably be eliminated or from the risks which cannot be sufficiently reduced by inherently safe design measures

[SOURCE: ISO 12100:2010, 3.21]

3.1.57

safety function

function of a machine whose failure can result in an immediate increase of the risk(s)

[SOURCE: ISO 12100:2010, 3.30; IEC 62061:2005, 3.2.15]

3.1.58

servicing level

level on which persons stand when operating or maintaining the electrical equipment

3.1.59

short-circuit current

overcurrent resulting from a short-circuit due to a fault or an incorrect connection in an electric circuit

[SOURCE: IEC 60050-441:1984, 441-11-07]

3.1.60

short-circuit current rating

value of prospective short-circuit current that can be withstood by the electrical equipment for the total operating time (clearing time) of the short-circuit protective device (SCPD) under specified conditions

<http://www.china-gauges.com/>

[SOURCE: IEC 61439-1: 2011, 3.8.10.4, modified – The word “rated” is removed from the term, and the reference to “assembly” removed from the definition.]

3.1.61

skilled person

electrically skilled person

person with relevant training, education and experience to enable him or her to perceive risks and to avoid hazards associated with electricity

[SOURCE: IEC 60050-826:2004, 826-18-01, modified – The parentheses have been removed and “training” has been added.]

3.1.62

supplier

entity (for example manufacturer, contractor, installer, integrator) who provides equipment or services associated with the machine

Note 1 to entry: The user organization may also act in the capacity of a supplier to itself.

3.1.63

switching device

device designed to make and/or break the current in one or more electric circuits

Note 1 to entry: A switching device may perform one or both of these actions.

[SOURCE: IEC 60050-441:1984, 441-14-01]

3.1.64

uncontrolled stop

stopping of machine motion by removing electrical power to the machine actuators

Note 1 to entry: This definition does not imply any particular state of other stopping devices, for example mechanical or hydraulic brakes.

3.1.65

user

entity who utilizes the machine and its associated electrical equipment

3.2 Abbreviated terms

AWG	American Wire Gauge
AC	Alternating Current
BDM	Basic Drive Module
CCS	Cableless Control System
DC	Direct Current
EMC	Electro-Magnetic Compatibility
EMI	Electro-Magnetic Interference
IFLS	Insulation Fault Location System
MMI	Man-Machine interface
PDS	Power Drive System
PELV	Protective Extra-Low Voltage
RCD	Residual Current protective Device
SPD	Surge Protective Devices
SCPD	Short-Circuit Protective Device
SELV	Safe Extra-Low Voltage
SLP	Safely-Limited Position
STO	Safe Torque Off

<http://www.china-gauges.com/>

4 General requirements

4.1 General

This standard specifies requirements for the electrical equipment of machines.

The risks associated with the hazards relevant to the electrical equipment shall be assessed as part of the overall requirements for risk assessment of the machine. This will:

- identify the need for risk reduction; and
- determine adequate risk reductions; and
- determine the necessary protective measures

for persons who can be exposed to those hazards, while still maintaining an appropriate performance of the machine and its equipment.

Hazardous situations can result from, but are not limited to, the following causes:

- failures or faults in the electrical equipment resulting in the possibility of electric shock, arc, or fire;
- failures or faults in control circuits (or components and devices associated with those circuits) resulting in the malfunctioning of the machine;
- disturbances or disruptions in power sources as well as failures or faults in the power circuits resulting in the malfunctioning of the machine;
- loss of continuity of circuits that can result in a failure of a safety function, for example those that depend on sliding or rolling contacts;
- electrical disturbances for example, electromagnetic, electrostatic either from outside the electrical equipment or internally generated, resulting in the malfunctioning of the machine;
- release of stored energy (either electrical or mechanical) resulting in, for example, electric shock, unexpected movement that can cause injury;
- acoustic noise and mechanical vibration at levels that cause health problems to persons;
- surface temperatures that can cause injury.

Safety measures are a combination of the measures incorporated at the design stage and those measures required to be implemented by the user.

The design and development process shall identify hazards and the risks arising from them. Where the hazards cannot be removed and/or the risks cannot be sufficiently reduced by inherently safe design measures, protective measures (for example safeguarding) shall be provided to reduce the risk. Additional means (for example, awareness means) shall be provided where further risk reduction is necessary. In addition, working procedures that reduce risk can be necessary.

It is recommended that, where the user is known, Annex B be used to facilitate an exchange of information between the user and the supplier(s) on basic conditions and additional user specifications related to the electrical equipment.

NOTE Those additional specifications can:

- provide additional features that are dependent on the type of machine (or group of machines) and the application;
- facilitate maintenance and repair; and
- improve the reliability and ease of operation.

<http://www.china-gauges.com/>

4.2 Selection of equipment

4.2.1 General

Electrical components and devices shall:

- be suitable for their intended use; and
- conform to relevant IEC standards where such exist; and
- be applied in accordance with the supplier's instructions.

4.2.2 Switchgear

In addition to the requirements of IEC 60204-1, depending upon the machine, its intended use and its electrical equipment, the designer may select parts of the electrical equipment of the machine that are in compliance with relevant parts of the IEC 61439 series (see also Annex F).

4.3 Electrical supply

4.3.1 General

The electrical equipment shall be designed to operate correctly with the conditions of the supply:

- as specified in 4.3.2 or 4.3.3, or
- as otherwise specified by the user, or
- as specified by the supplier of a special source of supply (see 4.3.4)

4.3.2 AC supplies

Voltage	Steady state voltage: 0,9 to 1,1 of nominal voltage.
Frequency	0,99 to 1,01 of nominal frequency continuously; 0,98 to 1,02 short time.
Harmonics	Harmonic distortion not exceeding 12 % of the total r.m.s. voltage between live conductors for the sum of the 2nd through to the 30th harmonic.
Voltage unbalance	Neither the voltage of the negative sequence component nor the voltage of the zero sequence component in three-phase supplies exceeding 2 % of the positive sequence component.
Voltage interruption	Supply interrupted or at zero voltage for not more than 3 ms at any random time in the supply cycle with more than 1 s between successive interruptions.
Voltage dips	Voltage dips not exceeding 20 % of the rms voltage of the supply for more than one cycle with more than 1 s between successive dips.

4.3.3 DC supplies

From batteries:

Voltage	0,85 to 1,15 of nominal voltage; 0,7 to 1,2 of nominal voltage in the case of battery-operated vehicles.
Voltage interruption	Not exceeding 5 ms.

From converting equipment:

Voltage	0,9 to 1,1 of nominal voltage.	http://www.china-gauges.com/
Voltage interruption	Not exceeding 20 ms with more than 1 s between successive interruptions.	

NOTE This is a variation to IEC Guide 106 to ensure proper operation of electronic equipment.

Ripple (peak-to-peak) Not exceeding 0,15 of nominal voltage.

4.3.4 Special supply systems

For special supply systems (e.g. on-board generators, DC bus, etc.) the limits given in 4.3.2 and 4.3.3 may be exceeded provided that the equipment is designed to operate correctly with those conditions.

4.4 Physical environment and operating conditions

4.4.1 General

The electrical equipment shall be suitable for the physical environment and operating conditions of its intended use. The requirements of 4.4.2 to 4.4.8 cover the physical environment and operating conditions of the majority of machines covered by this part of

IEC 60204. When special conditions apply or the limits specified are exceeded, an exchange of information between user and supplier (see 4.1) can be necessary.

4.4.2 Electromagnetic compatibility (EMC)

The electrical equipment shall not generate electromagnetic disturbances above levels that are appropriate for its intended operating environment. In addition, the electrical equipment shall have a sufficient level of immunity to electromagnetic disturbances so that it can function in its intended environment.

Immunity and/or emission tests are required on the electrical equipment unless the following conditions are fulfilled:

- the incorporated devices and components comply with the EMC requirements for the intended EMC environment specified in the relevant product standard (or generic standard where no product standard exists), and;
- the electrical installation and wiring are consistent with the instructions provided by the supplier of the devices and components with regard to mutual influences, (cabling, screening, earthing etc.) or with informative Annex H if such instructions are not available from the supplier.

NOTE The generic EMC standards IEC 61000-6-1 or IEC 61000-6-2 and IEC 61000-6-3 or IEC 61000-6-4 give general EMC emission and immunity limits.

4.4.3 Ambient air temperature

Electrical equipment shall be capable of operating correctly in the intended ambient air temperature. The minimum requirement for all electrical equipment is correct operation in ambient air temperatures outside of enclosures (cabinet or box) between +5 °C and +40 °C.

4.4.4 Humidity

The electrical equipment shall be capable of operating correctly when the relative humidity does not exceed 50 % at a maximum temperature of +40 °C. Higher relative humidities are permitted at lower temperatures (for example 90 % at 20 °C).

Harmful effects of occasional condensation shall be avoided by design of the equipment or, where necessary, by additional measures (for example built-in heaters, air conditioners, drain holes).

4.4.5 Altitude

Electrical equipment shall be capable of operating correctly at altitudes up to 1 000 m above mean sea level. <http://www.china-gauges.com/>

Ⓒ For equipment to be used at higher altitudes, it is necessary to take into account changes in parameters for example, the reduction of: Ⓒ

- the dielectric strength, and;
- the switching capability of the devices, and;
- the cooling effect of the air.

Ⓒ Other parameters of different components can also alter with altitude. Ⓒ

It is recommended that the manufacturer is consulted regarding the correction factors to be used where the factors are not specified in product data.

4.4.6 Contaminants

Electrical equipment shall be adequately protected against the ingress of solids and liquids (see 11.3).

The electrical equipment shall be adequately protected against contaminants (for example dust, acids, corrosive gases, salts) that can be present in the physical environment in which the electrical equipment is to be installed.

4.4.7 Ionizing and non-ionizing radiation

When equipment is subject to radiation (for example microwave, ultraviolet, lasers, X-rays), additional measures shall be taken to avoid malfunctioning of the equipment and accelerated deterioration of the insulation.

4.4.8 Vibration, shock, and bump

Undesirable effects of vibration, shock and bump (including those generated by the machine and its associated equipment and those created by the physical environment) shall be avoided by the selection of suitable equipment, by mounting it away from the machine, or by provision of anti-vibration mountings.

4.5 Transportation and storage

Electrical equipment shall be designed to withstand, or suitable precautions shall be taken to protect against, the effects of transportation and storage temperatures within a range of -25 °C to $+55\text{ °C}$ and for short periods not exceeding 24 h at up to $+70\text{ °C}$. Suitable means shall be provided to prevent damage from humidity, vibration, and shock.

NOTE Electrical equipment susceptible to damage at low temperatures includes PVC insulated cables.

4.6 Provisions for handling

Heavy and bulky electrical equipment that has to be removed from the machine for transport, or that is independent of the machine, shall be provided with suitable means for handling, including where necessary means for handling by cranes or similar equipment.

5 Incoming supply conductor terminations and devices for disconnecting and switching off

5.1 Incoming supply conductor terminations

It is recommended that, where practicable, the electrical equipment of a machine is connected to a single incoming supply. Where another supply is necessary for certain parts of the equipment (for example, electronic equipment that operates at a different voltage), that supply should be derived, as far as is practicable, from devices (for example, transformers, converters) forming part of the electrical equipment of the machine. For large complex machinery there can be a need for more than one incoming supply depending upon the site supply arrangements (see 5.3.1).

Unless a plug is provided with the machine for the connection to the supply (see 5.3.2 e)), it is recommended that the supply conductors are terminated at the supply disconnecting device.

Where a neutral conductor is used it shall be clearly indicated in the technical documentation of the machine, such as in the installation diagram and in the circuit diagram, and a separate insulated terminal, labelled N in accordance with 16.1, shall be provided for the neutral conductor. The neutral terminal may be provided as part of the supply disconnecting device.

There shall be no connection between the neutral conductor and the protective bonding circuit inside the electrical equipment.

Exception: a connection may be made between the neutral terminal and the PE terminal at the point of the connection of the electrical equipment to a TN-C supply system.

For machines supplied from parallel sources, the requirements of IEC 60364-1 for multiple source systems apply.

Terminals for the incoming supply connection shall be clearly identified in accordance with IEC 60445. The terminal for the external protective conductor shall be identified in accordance with 5.2.

5.2 Terminal for connection of the external protective conductor

For each incoming supply, a terminal shall be provided in the same compartment as the associated line conductor terminals for connection of the machine to the external protective conductor.

The terminal shall be of such a size as to enable the connection of an external protective copper conductor with a cross-sectional area determined in relation to the size of the associated line conductors in accordance with Table 1.

Table 1 – Minimum cross-sectional area of copper protective conductors

Cross-sectional area of line conductors S mm ²	Minimum cross-sectional area of the corresponding protective conductor (PE) S_p mm ²
$S \leq 16$	S
$16 < S \leq 35$	16
$S > 35$	$S/2$

Where an external protective conductor of a material other than copper is used, the terminal size and type shall be selected accordingly.

At each incoming supply point, the terminal for connection of external protective conductor shall be marked or labelled with the letters PE (see IEC 60445).

5.3 Supply disconnecting (isolating) device

5.3.1 General

A supply disconnecting device shall be provided:

- for each incoming supply to (a) machine(s);

<http://www.china-gauges.com/>

NOTE The incoming supply can be connected directly to the supply disconnecting device of the machine or to the supply disconnecting device of a feeder system of the machine. Feeder systems of machines can include conductor wires, conductor bars, slip-ring assemblies, flexible cable systems (reeled, festooned) or inductive power supply systems.

- for each on-board power supply.

The supply disconnecting device shall disconnect (isolate) the electrical equipment of the machine from the supply when required (for example for work on the machine, including the electrical equipment).

Where two or more supply disconnecting devices are provided, protective interlocks for their correct operation shall also be provided in order to prevent a hazardous situation, including damage to the machine or to the work in progress.

5.3.2 Type

The supply disconnecting device shall be one of the following types:

- a) switch-disconnector, with or without fuses, in accordance with IEC 60947-3, utilization category AC-23B or DC-23B;
- b) control and protective switching device suitable for isolation, in accordance with IEC 60947-6-2;
- c) a circuit-breaker suitable for isolation in accordance with IEC 60947-2;
- d) any other switching device in accordance with an IEC product standard for that device and which meets the isolation requirements and the appropriate utilization category and/or specified endurance requirements defined in the product standard;
- e) a plug/socket combination for a flexible cable supply.

5.3.3 Requirements

Where the supply disconnecting device is one of the types specified in 5.3.2 a) to d) it shall fulfil all of the following requirements:

- isolate the electrical equipment from the supply and have one OFF (isolated) and one ON position marked with "O" and "I" (symbols IEC 60417-5008 (2002-10) and IEC 60417-5007 (2002-10), see 10.2.2);
- have a visible contact gap or a position indicator which cannot indicate OFF (isolated) until all contacts are actually open and the requirements for the isolating function have been satisfied;
- have an operating means (see 5.3.4);
- be provided with a means permitting it to be locked in the OFF (isolated) position (for example by padlocks). When so locked, remote as well as local closing shall be prevented;
- disconnect all live conductors of its power supply circuit. However, for TN supply systems, the neutral conductor may or may not be disconnected except in countries where disconnection of the neutral conductor (when used) is compulsory;
- have a breaking capacity sufficient to interrupt the current of the largest motor when stalled together with the sum of the normal running currents of all other motors and other loads. The calculated breaking capacity may be reduced by the use of a proven diversity factor. Where motor(s) are supplied by converter(s) or similar devices, the calculation should take into account the possible effect on the required breaking capacity.

Where the supply disconnecting device is a plug/socket combination, it shall comply with the requirements of 13.4.5 and shall have the breaking capacity, or be interlocked with a switching device that has a breaking capacity, sufficient to interrupt the current of the largest motor when stalled together with the sum of the normal running currents of all other motors and other loads. The calculated breaking capacity may be reduced by the use of a proven diversity factor. Where the interlocked switching device is electrically operated (for example a contactor) it shall have an appropriate utilisation category. Where motor(s) are supplied by converter(s) or similar devices, the calculation should take into account the possible effect on the required breaking capacity.

NOTE A suitably rated plug and socket-outlet, cable coupler, or appliance coupler, in accordance with IEC 60309-1 can fulfil these requirements.

Where the supply disconnecting device is a plug/socket combination, a switching device with an appropriate utilisation category shall be provided for switching the machine on and off. This can be achieved by the use of the interlocked switching device described above.

5.3.4 Operating means of the supply disconnecting device

The operating means (for example, a handle) of the supply disconnecting device shall be external to the enclosure of the electrical equipment.

Exception: power-operated switchgear need not be provided with a handle outside the enclosure where other means (e.g. pushbuttons) are provided to open the supply disconnecting device from outside the enclosure.

The operating means of the supply disconnecting device shall be easily accessible and located between 0,6 m and 1,9 m above the servicing level. An upper limit of 1,7 m is recommended.

NOTE The direction of operation is given in IEC 61310-3.

Where the external operating means is intended for emergency operation, see 10.7.3 or 10.8.3.

Where the external operating means is not intended for emergency operations:

- it is recommended that it be coloured BLACK or GREY (see 10.2)
- a supplementary cover or door that can be readily opened without the use of a key or tool may be provided, for example for protection against environmental conditions or mechanical damage. Such a cover/door shall clearly show that it provides access to the operating means. This can be achieved, for example, by use of the relevant symbol IEC 60417-6169-1 (2012-08) (Figure 2) or IEC 60417-6169-2 (2012-08), (Figure 3).

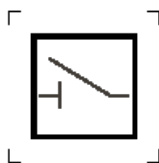


Figure 2 – Disconnecting isolator

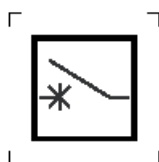


Figure 3 – Disconnecting circuit breaker

5.3.5 Excepted circuits

<http://www.china-gauges.com/>

The following circuits need not be disconnected by the supply disconnecting device:

- lighting circuits for lighting needed during maintenance or repair;
- socket outlets for the exclusive connection of repair or maintenance tools and equipment (for example hand drills, test equipment) (see 15.1);
- undervoltage protection circuits that are only provided for automatic tripping in the event of supply failure;
- circuits supplying equipment that should normally remain energized for correct operation (for example temperature controlled measuring devices, heaters, program storage devices).

It is recommended, however, that such circuits be provided with their own disconnecting device.

Control circuits supplied via another supply disconnecting device, regardless of whether that disconnecting device is located in the electrical equipment or in another machine or other electrical equipment, need not be disconnected by the supply disconnecting device of the electrical equipment.

Where excepted circuits are not disconnected by the supply disconnecting device:

- permanent warning label(s) shall be appropriately placed in proximity to the operating means of the supply disconnecting device to draw attention to the hazard;
- a corresponding statement shall be included in the maintenance manual, and one or more of the following shall apply:
 - the conductors are identified by colour taking into account the recommendation of 13.2.4;
 - excepted circuits are separated from other circuits;
 - excepted circuits are identified by permanent warning label(s).

5.4 Devices for removal of power for prevention of unexpected start-up

Devices for removal of power for the prevention of unexpected start-up shall be provided where a start-up of the machine or part of the machine can create a hazard (for example during maintenance). Such devices shall be appropriate and convenient for the intended use, be suitably placed, and readily identifiable as to their function and purpose. Where their function and purpose is not otherwise obvious (e.g. by their location) these devices shall be marked to indicate the extent of removal of power.

NOTE 1 This part of IEC 60204 does not address all provisions for prevention of unexpected start up. Further information is provided in ISO 14118.

NOTE 2 Removal of power means removal of the connection to the source of electrical energy but does not imply isolation.

The supply disconnecting device or other devices in accordance with 5.3.2 may be used for prevention of unexpected start-up.

Disconnectors, withdrawable fuse links and withdrawable links may be used for protection of unexpected start-up only if they are located in an enclosed electrical operating area (see 3.1.23).

Devices that do not fulfil the isolation function (for example a contactor switched off by a control circuit, or Power Drive System (PDS) with a Safe Torque Off (STO) function in accordance with IEC 61800-5-2) may only be used for prevention of unexpected start-up during tasks such as:

- inspections;
 - adjustments;
 - work on the electrical equipment where:
 - there is no hazard arising from electric shock (see Clause 6) and burn;
 - the switching off means remains effective throughout the work;
 - the work is of a minor nature (for example, replacement of plug-in devices without disturbing existing wiring).
- <http://www.china-gauges.com/>

The selection of a device will be dependent on the risk assessment, taking into account the intended use of the device, and the persons who are intended to operate them.

5.5 Devices for isolating electrical equipment

Devices shall be provided for isolating (disconnecting) the electrical equipment or part(s) of the electrical equipment to enable work to be carried out when it is de-energised and isolated. Such devices shall be:

- appropriate and convenient for the intended use;
- suitably placed;

- readily identifiable as to which part(s) or circuit(s) of the equipment is served. Where their function and purpose is not otherwise obvious (e.g. by their location) these devices shall be marked to indicate the extent of the equipment that they isolate.

The supply disconnecting device (see 5.3) may, in some cases, fulfil that function. However, where it is necessary to work on individual parts of the electrical equipment of a machine, or on one of the machines fed by a common conductor bar, conductor wire or inductive power supply system, a disconnecting device shall be provided for each part, or for each machine, requiring separate isolation.

In addition to the supply disconnecting device, the following devices that fulfil the isolation function may be provided for this purpose:

- devices described in 5.3.2;
- disconnectors, withdrawable fuse links and withdrawable links only if located in an enclosed electrical operating area (see 3.1.23) and relevant information is provided with the electrical equipment (see Clause 17).

5.6 Protection against unauthorized, inadvertent and/or mistaken connection

Where the devices described in 5.4 and 5.5 are located outside an enclosed electrical operating area they shall be equipped with means to secure them in the OFF position (disconnected state), (for example by provisions for padlocking, trapped key interlocking). When so secured, remote as well as local reconnection shall be prevented.

Where the devices described in 5.4 and 5.5 are located inside an enclosed electrical operating area other means of protection against reconnection (for example warning labels) can be sufficient.

However, when a plug/socket combination according to 5.3.2 e) is so positioned that it can be kept under the immediate supervision of the person carrying out the work, means for securing in the disconnected state need not be provided.

6 Protection against electric shock

6.1 General

The electrical equipment shall provide protection of persons against electric shock by:

- basic protection (see 6.2 and 6.4), and;
 - fault protection (see 6.3 and 6.4).
- <http://www.china-gauges.com/>

The measures for protection given in 6.2, 6.3, and, for PELV, in 6.4, are a selection from IEC 60364-4-41. Where those measures are not practicable, for example due to the physical or operational conditions, other measures from IEC 60364-4-41 may be used (e.g. SELV).

6.2 Basic protection

6.2.1 General

For each circuit or part of the electrical equipment, the measures of either 6.2.2 or 6.2.3 and, where applicable, 6.2.4 shall be applied.

Exception: where those measures are not appropriate, other measures for basic protection (for example by using barriers, by placing out of reach, using obstacles, using construction or installation techniques that prevent access) as defined in IEC 60364-4-41 may be applied (see also 6.2.5 and 6.2.6).

Where the equipment is located in places open to all persons, which can include children, measures of either 6.2.2 with a minimum degree of protection against contact with live parts corresponding to IP4X or IPXXD (see IEC 60529), or 6.2.3 shall be applied.

6.2.2 Protection by enclosures

Live parts shall be located inside enclosures that provide protection against contact with live parts of at least IP2X or IPXXB (see IEC 60529).

Where the top surfaces of the enclosure are readily accessible, the minimum degree of protection against contact with live parts provided by the top surfaces shall be IP4X or IPXXD.

Opening an enclosure (i.e. opening doors, lids, covers, and the like) shall be possible only under one of the following conditions:

a) The use of a key or tool is necessary for access.

NOTE 1 The use of a key or tool is intended to restrict access to skilled or instructed persons (see 17.2 f)).

All live parts, (including those on the inside of doors) that are likely to be touched when resetting or adjusting devices intended for such operations while the equipment is still connected, shall be protected against contact to at least IP2X or IPXXB. Other live parts on the inside of doors shall be protected against unintentional direct contact to at least IP1X or IPXXA.

b) The disconnection of live parts inside the enclosure before the enclosure can be opened.

This may be accomplished by interlocking the door with a disconnecting device (for example, the supply disconnecting device) so that the door can only be opened when the disconnecting device is open and so that the disconnecting device can only be closed when the door is closed.

Exception: a key or tool as prescribed by the supplier can be used to defeat the interlock provided that the following conditions are met:

- it is possible at all times while the interlock is defeated to open the disconnecting device and lock the disconnecting device in the OFF (isolated) position or otherwise prevent unauthorised closure of the disconnecting device;
- upon closing the door, the interlock is automatically restored;
- all live parts, (including those on the inside of doors) that are likely to be touched when resetting or adjusting devices intended for such operations while the equipment is still connected, are protected against unintentional contact with live parts to at least IP2X or IPXXB and other live parts on the inside of doors are protected against unintentional contact to at least IP1X or IPXXA; <http://www.china-gauges.com/>
- relevant information about the procedures for the defeat of the interlock is provided with the instructions for use of the electrical equipment (see Clause 17).
- means are provided to restrict access to live parts behind doors that are not directly interlocked with the disconnecting means to skilled or instructed persons. (See 17.2 b)).

All parts that are still live after switching off the disconnecting device(s) (see 5.3.5) shall be protected against direct contact to at least IP2X or IPXXB (see IEC 60529). Such parts shall be marked with a warning sign in accordance with 16.2.1 (see also 13.2.4 for identification of conductors by colour), except for:

- parts that can be live only because of connection to interlocking circuits and that are distinguished by colour as potentially live in accordance with 13.2.4;
- the supply terminals of the supply disconnecting device when the latter is mounted alone in a separate enclosure.

c) Opening without the use of a key or a tool and without disconnection of live parts shall be possible only when all live parts are protected against contact to at least IP2X or IPXXB (see IEC 60529). Where barriers provide this protection, either they shall require a tool for

their removal or all live parts protected by them shall be automatically disconnected when the barrier is removed. Where protection against contact is achieved in accordance with 6.2.2 c), and a hazard can be caused by manual actuation of devices (for example manual closing of contactors or relays), such actuation should be prevented by barriers or obstacles that require a tool for their removal.

6.2.3 Protection by insulation of live parts

Live parts protected by insulation shall be completely covered with insulation that can only be removed by destruction. Such insulation shall be capable of withstanding the mechanical, chemical, electrical, and thermal stresses to which it can be subjected under normal operating conditions.

NOTE Paints, varnishes, lacquers, and similar products alone are generally considered to be inadequate for protection against electric shock under normal operating conditions.

6.2.4 Protection against residual voltages

Live parts having a residual voltage greater than 60 V when the supply is disconnected shall be discharged to 60 V or less within a time period of 5 s provided that this rate of discharge does not interfere with the proper functioning of the equipment. Exempted from this requirement are components having a stored charge of 60 μC or less. Where this specified rate of discharge would interfere with the proper functioning of the equipment, a durable warning notice drawing attention to the hazard and stating the delay required before the enclosure may be opened shall be displayed at an easily visible location on or immediately adjacent to the enclosure that contains the live parts.

In the case of plugs or similar devices, the withdrawal of which results in the exposure of conductors (for example pins), the discharge time to 60 V shall not exceed 1 s, otherwise such conductors shall be protected to at least IP2X or IPXXB. If neither a discharge time of 1 s nor a protection of at least IP2X or IPXXB can be achieved (for example in the case of removable collectors on conductor wires, conductor bars, or slip-ring assemblies, see 12.7.4), additional switching devices or an appropriate warning, for example a warning sign drawing attention to the hazard and stating the delay required shall be provided. When the equipment is located in places open to all persons, which can include children, warnings are not sufficient and therefore a minimum degree of protection against contact with live parts to IP4X or IPXXD is required.

NOTE Frequency converters and DC bus supplies could have typically a longer discharge time than 5 s.

6.2.5 Protection by barriers

For protection by barriers, the requirements of IEC 60364-4-41 shall apply. <http://www.china-gauges.com/>

6.2.6 Protection by placing out of reach or protection by obstacles

For protection by placing out of reach, the requirements of IEC 60364-4-41 shall apply. For protection by obstacles, the requirements of IEC 60364-4-41 shall apply.

For conductor wire systems or conductor bar systems with a degree of protection less than IP2X or IPXXB, see 12.7.1.



6.3 Fault protection

6.3.1 General

Fault protection (3.31) is intended to prevent hazardous situations due to an insulation fault between live parts and exposed conductive parts.

For each circuit or part of the electrical equipment, at least one of the measures in accordance with 6.3.2 to 6.3.3 shall be applied:

- measures to prevent the occurrence of a touch voltage (6.3.2); or
- automatic disconnection of the supply before the time of contact with a touch voltage can become hazardous (6.3.3).

NOTE 1  The risk of harmful physiological effects from touch voltages depends upon a number of factors. These include but are not limited to; value of touch voltage, duration of possible exposure, environmental factors, skin condition 

NOTE 2 IEC 61140 provides information about classes of equipment and protective provisions.

6.3.2 Prevention of the occurrence of a touch voltage

6.3.2.1 General

Measures to prevent the occurrence of a touch voltage include the following:

- provision of class II equipment or by equivalent insulation;
- electrical separation.

6.3.2.2 Protection by provision of class II equipment or by equivalent insulation

This measure is intended to prevent the occurrence of touch voltages on the accessible parts through a fault in the basic insulation.

This protection is provided by one or more of the following:

- class II electrical devices or apparatus (double insulation, reinforced insulation or by equivalent insulation in accordance with IEC 61140);
- switchgear and controlgear assemblies having total insulation in accordance with IEC 61439-1;
- supplementary or reinforced insulation in accordance with IEC 60364-4-41.

6.3.2.3 Protection by electrical separation

Electrical separation of an individual circuit is intended to prevent a touch voltage through contact with exposed conductive parts that can be energized by a fault in the basic insulation of the live parts of that circuit.

For this type of protection, the requirements of IEC 60364-4-41 apply.

6.3.3 Protection by automatic disconnection of supply

Automatic disconnection of the supply of any circuit affected by an insulation fault is intended to prevent a hazardous situation resulting from a touch voltage. <http://www.china-gauges.com/>

This measure consists of the interruption of one or more of the line conductors by the automatic operation of a protective device in case of a fault. This interruption shall occur within a sufficiently short time to limit the duration of a touch voltage to a time within the limits specified in Annex A for TN and TT systems.

This measure necessitates co-ordination between:

- the type of supply system, the supply source impedance and the earthing system;
- the impedance values of the different elements of the line and of the associated fault current paths through the protective bonding circuit;
- the characteristics of the protective devices that detect insulation fault(s).

NOTE 1 Details of verification of conditions for protection by automatic disconnection of supply are provided in 18.2.

This protective measure comprises both:

- protective bonding of exposed conductive parts (see 8.2.3),
- and one of the following:
 - a) In TN systems, the following protective devices may be used:
 - overcurrent protective devices;
 - residual current protective devices (RCDs) and associated overcurrent protective device(s).

NOTE 2 The preventive maintenance can be enhanced by use of a residual current monitoring device, RCM, complying with IEC 62020.

- b) in TT systems, either:
 - RCDs and associated overcurrent protective device(s) to initiate the automatic disconnection of the supply on detection of an insulation fault from a live part to exposed conductive parts or to earth, or
 - overcurrent protective devices may be used for fault protection provided a suitably low value of the fault loop impedance Z_s (see A.2.2.3) is permanently and reliably assured;

NOTE 3 The preventive maintenance can be enhanced by use of a residual current monitoring device, RCM, complying with IEC 62020.

- c) In IT systems the relevant requirements of IEC 60364-4-41 shall be fulfilled. During an insulation fault, an acoustic and optical signal shall be sustained. After annunciation, the acoustic signal may then be manually muted. This can require an agreement between the supplier and user regarding the provision of insulation monitoring devices and/or insulation fault location system(s).

NOTE 4 In large machines, the provision of an insulation fault location system (IFLS) in accordance with IEC 61557-9 can facilitate maintenance.

Where automatic disconnection is provided in accordance with a), and disconnection within the time specified in A.1.1 cannot be assured, supplementary protective bonding shall be provided as necessary to meet the requirements of A.1.3.

Where a power drive system (PDS) is provided, fault protection shall be provided for those circuits of the power drive system that are supplied by the converter. Where this protection is not provided within the converter, the necessary protection measures shall be in accordance with the converter manufacturer's instructions.

6.4 Protection by the use of PELV

6.4.1 General requirements

The use of PELV (Protective Extra-Low Voltage) is to protect persons against electric shock from indirect contact and limited area direct contact (see 8.2.1). <http://www.china-gauges.com/>

PELV circuits shall satisfy all of the following conditions:

- a) the nominal voltage shall not exceed:
 - 25 V AC r.m.s. or 60 V ripple-free DC when the equipment is normally used in dry locations and when large area contact of live parts with the human body is not expected; or
 - 6 V AC r.m.s. or 15 V ripple-free DC in all other cases;

NOTE "Ripple-free" is conventionally defined for a sinusoidal ripple voltage as a ripple content of not more than 10 % r.m.s.

- b) one side of the circuit or one point of the source of the supply of that circuit shall be connected to the protective bonding circuit;
- c) live parts of PELV circuits shall be electrically separated from other live circuits. Electrical separation shall be not less than that required between the primary and secondary circuits of a safety isolating transformer (see IEC 61558-1 and IEC 61558-2-6);

- d) conductors of each PELV circuit shall be physically separated from those of any other circuit. When this requirement is impracticable, the insulation provisions of 13.1.3 shall apply;
- e) plugs and socket-outlets for a PELV circuit shall conform to the following:
 - plugs shall not be able to enter socket-outlets of other voltage systems;
 - socket-outlets shall not admit plugs of other voltage systems.

6.4.2 Sources for PELV

The source for PELV shall be one of the following:

- a safety isolating transformer in accordance with IEC 61558-1 and IEC 61558-2-6;
- a source of current providing a degree of safety equivalent to that of the safety isolating transformer (for example a motor generator with winding providing equivalent isolation);
- an electrochemical source (for example a battery) or another source independent of a higher voltage circuit (for example a diesel-driven generator);
- an electronic power supply conforming to appropriate standards specifying measures to be taken to ensure that, even in the case of an internal fault, the voltage at the outgoing terminals cannot exceed the values specified in 6.4.1.

7 Protection of equipment

7.1 General

This Clause 7 details the measures to be taken to protect equipment against the effects of:

- overcurrent arising from a short-circuit;
- overload and/or loss of cooling of motors;
- abnormal temperature;
- loss of or reduction in the supply voltage;
- overspeed of machines/machine elements;
- earth fault/residual current;
- incorrect phase sequence;
- overvoltage due to lightning and switching surges.

7.2 Overcurrent protection

<http://www.china-gauges.com/>

7.2.1 General

Overcurrent protection shall be provided where the current in any circuit can exceed either the rating of any component or the current carrying capacity of the conductors, whichever is the lesser value. The ratings or settings to be selected are detailed in 7.2.10.

7.2.2 Supply conductors

Unless otherwise specified by the user, the supplier of the electrical equipment is not responsible for providing the supply conductors and the overcurrent protective device for the supply conductors to the electrical equipment.

The supplier of the electrical equipment shall state in the installation documents the data necessary for conductor dimensioning (including the maximum cross-sectional area of the supply conductor that can be connected to the terminals of the electrical equipment) and for selecting the overcurrent protective device (see 7.2.10 and 17).

7.2.3 Power circuits

Devices for detection and interruption of overcurrent, selected in accordance with 7.2.10, shall be applied to each live conductor including circuits supplying control circuit transformers.

The following conductors, as applicable, shall not be disconnected without disconnecting all associated live conductors:

- the neutral conductor of AC power circuits;
- the earthed conductor of DC power circuits;
- DC power conductors bonded to exposed conductive parts of mobile machines.

Where the cross-sectional area of the neutral conductor is at least equal to or equivalent to that of the line conductors, it is not necessary to provide overcurrent detection for the neutral conductor nor a disconnecting device for that conductor. For a neutral conductor with a cross-sectional area smaller than that of the associated line conductors, the measures detailed in 524 of IEC 60364-5-52:2009 shall apply.

In IT systems, it is recommended that the neutral conductor is not used. However, where a neutral conductor is used, the measures detailed in 431.2.2 of IEC 60364-4-43:2008 shall apply.

7.2.4 Control circuits

Conductors of control circuits directly connected to the supply voltage shall be protected against overcurrent in accordance with 7.2.3.

Conductors of control circuits supplied by a transformer or DC supply shall be protected against overcurrent (see also 9.4.3.1.1):

- in control circuits connected to the protective bonding circuit, by inserting an overcurrent protective device into the switched conductor;
- in control circuits not connected to the protective bonding circuit;
 - where all control circuits of the equipment have the same current carrying capacity, by inserting an overcurrent protective device into the switched conductor, or;
 - where different control circuits of the equipment have different current carrying capacity, by inserting an overcurrent protective device into both switched and common conductors of each control circuit.

Exception: Where the supply unit provides current limiting below the <http://www.chinagauges.com/> of the conductors in a circuit and below the current rating of connected components, no separate overcurrent protective device is required.

7.2.5 Socket outlets and their associated conductors

Overcurrent protection shall be provided for the circuits feeding the general purpose socket outlets intended primarily for supplying power to maintenance equipment. Overcurrent protective devices shall be provided in the unearthed live conductors of each circuit feeding such socket outlets. See also 15.1.

7.2.6 Lighting circuits

All unearthed conductors of circuits supplying lighting shall be protected against the effects of short-circuits by the provision of overcurrent devices separate from those protecting other circuits.

7.2.7 Transformers

Transformers shall be protected by an overcurrent protective device having a type and setting in accordance with the transformer manufacturer's instructions. Such protection shall (see also 7.2.10):

- avoid nuisance tripping due to transformer magnetizing inrush currents;
- avoid a winding temperature rise in excess of the permitted value for the insulation class of transformer when it is subjected to the effects of a short-circuit at its secondary terminals.

7.2.8 Location of overcurrent protective devices

An overcurrent protective device shall be located at the point where a reduction in the cross-sectional area of the conductors or another change reduces the current-carrying capacity of the conductors, except where all the following conditions are satisfied:

- the current carrying capacity of the conductors is at least equal to that of the load;
- the part of the conductor(s) between the point of reduction of current-carrying capacity and the position of the overcurrent protective device is no longer than 3 m;
- the conductors are installed in such a manner as to reduce the possibility of a short-circuit, for example, protected by an enclosure or duct.

7.2.9 Overcurrent protective devices

The rated short-circuit breaking capacity shall be at least equal to the prospective fault current at the point of installation. Where the short-circuit current to an overcurrent protective device can include additional currents other than from the supply (for example from motors, from power factor correction capacitors), those currents shall be taken into consideration.

NOTE Information on co-ordination under short-circuit conditions between a circuit-breaker and another short-circuit protective device is provided in Annex A of IEC 60947-2:2006, IEC 60947-2:2006/AMD1:2009 and IEC 60947-2:2006/AMD2:2013.

Where fuses are provided as overcurrent protective devices, a type readily available in the country of use shall be selected, or arrangements shall be made for the supply of spare parts.

7.2.10 Rating and setting of overcurrent protective devices

The rated current of fuses or the setting current of other overcurrent protective devices shall be selected as low as possible but adequate for the anticipated overcurrents (for example during starting of motors or energizing of transformers). When <http://www.china-project.com/> devices, consideration shall be given to the protection of switching devices against damage due to overcurrents.

The rated current or setting of an overcurrent protective device for conductors is determined by the current carrying capacity of the conductors to be protected in accordance with 12.4, Clause D.3 and the maximum allowable interrupting time t in accordance with Clause D.4, taking into account the needs of co-ordination with other electrical devices in the protected circuit.

7.3 Protection of motors against overheating

7.3.1 General

Protection of motors against overheating shall be provided for each motor rated at more than 0,5 kW.

Exception: In applications where an automatic interruption of the motor operation is unacceptable (for example fire pumps), the means of detection shall give a warning signal to which the operator can respond.

Protection of motors against overheating can be achieved by:

- overload protection (7.3.2),

NOTE 1 Overload protective devices detect the time and current relationships (I^2t) in a circuit that are in excess of the rated full load of the circuit and initiate appropriate control responses.

- over-temperature protection (7.3.3), or

NOTE 2 Temperature detection devices sense over-temperature and initiate appropriate control responses.

- current-limiting protection.

Automatic restarting of any motor after the operation of protection against overheating shall be prevented where this can cause a hazardous situation or damage to the machine or to the work in progress.

7.3.2 Overload protection

Where overload protection is provided, detection of overload(s) shall be provided in each live conductor except for the neutral conductor.

However, where the motor overload detection is not used for cable overload protection (see also Clause D.2), detection of overload may be omitted in one of the live conductors. For motors having single-phase or DC power supplies, detection in only one unearthed live conductor is permitted.

Where overload protection is achieved by switching off, the switching device shall switch off all live conductors. The switching of the neutral conductor is not necessary for overload protection.

Where motors with special duty ratings are required to start or to brake frequently (for example, motors for rapid traverse, locking, rapid reversal, sensitive drilling) it can be difficult to provide overload protection with a time constant comparable with that of the winding to be protected. Appropriate protective devices designed to accommodate special duty motors or over-temperature protection (see 7.3.3) can be necessary.

For motors that cannot be overloaded (for example torque motors, motion drives that either are protected by mechanical overload protection devices or are adequately dimensioned), overload protection is not required.

7.3.3 Over-temperature protection

<http://www.china-gauges.com/>

The provision of motors with over-temperature protection in accordance with IEC 60034-11 is recommended in situations where the cooling can be impaired (for example dusty environments). Depending upon the type of motor, protection under stalled rotor or loss of phase conditions is not always ensured by over-temperature protection, and additional protection should then be provided.

Over-temperature protection is also recommended for motors that cannot be overloaded (for example torque motors, motion drives that are either protected by mechanical overload protection devices or are adequately dimensioned), where the possibility of over-temperature exists (for example due to reduced cooling).

7.4 Protection against abnormal temperature

Equipment shall be protected against abnormal temperatures that can result in a hazardous situation.

7.5 Protection against the effects of supply interruption or voltage reduction and subsequent restoration

Where a supply interruption or a voltage reduction can cause a hazardous situation, damage to the machine, or to the work in progress, undervoltage protection shall be provided by, for example, switching off the machine at a predetermined voltage level.

Where the operation of the machine can allow for an interruption or a reduction of the voltage for a short time period, delayed undervoltage protection may be provided. The operation of the undervoltage device shall not impair the operation of any stopping control of the machine.

Upon restoration of the voltage or upon switching on the incoming supply, automatic or unexpected restarting of the machine shall be prevented where such a restart can cause a hazardous situation.

Where only a part of the machine or of the group of machines working together in a co-ordinated manner is affected by the voltage reduction or supply interruption, the undervoltage protection shall initiate appropriate control commands to ensure co-ordination.

7.6 Motor overspeed protection

Overspeed protection shall be provided where overspeeding can occur and could possibly cause a hazardous situation taking into account measures in accordance with 9.3.2. Overspeed protection shall initiate appropriate control responses and shall prevent automatic restarting.

The overspeed protection should operate in such a manner that the mechanical speed limit of the motor or its load is not exceeded.

NOTE This protection can consist, for example, of a centrifugal switch or speed limit monitor.

7.7 Additional earth fault/residual current protection

In addition to providing overcurrent protection for automatic disconnection as described in 6.3, earth fault/residual current protection can be provided to reduce damage to equipment due to earth fault currents less than the detection level of the overcurrent protection.

The setting of the devices shall be as low as possible consistent with correct operation of the equipment.

If fault currents with DC components are possible, an RCD of type B in accordance with IEC TR 60755 can be required. <http://www.china-gauges.com/>

7.8 Phase sequence protection

Where an incorrect phase sequence of the supply voltage can cause a hazardous situation or damage to the machine, protection shall be provided.

NOTE Conditions of use that can lead to an incorrect phase sequence include:

- a machine transferred from one supply to another;
- a mobile machine with a facility for connection to an external power supply.

7.9 Protection against overvoltages due to lightning and to switching surges

Surge protective devices (SPDs) can be provided to protect against the effects of overvoltages due to lightning or to switching surges.

Where provided:

- SPDs for the suppression of overvoltages due to lightning shall be connected to the incoming terminals of the supply disconnecting device.
- SPDs for the suppression of overvoltages due to switching surges shall be connected as necessary for equipment requiring such protection.

NOTE 1 Information about the correct selection and installation of SPDs is given for example in IEC 60364-4-44, IEC 60364-5-53, IEC 61643-12, IEC 62305-1 and IEC 62305-4.

NOTE 2 Equipotential bonding of the machine, its electrical equipment and extraneous-conductive-parts to a common bonding network of the building/site can help mitigate electromagnetic interference, including the effects of lightning, on the equipment.

7.10 Short-circuit current rating

The short-circuit current rating of the electrical equipment shall be determined. This can be done by the application of design rules or by calculation or by test.

NOTE The short-circuit current rating may be determined, for example, in accordance with IEC 61439-1, IEC 60909-0, IEC/TR 60909-1, or IEC/TR 61912-1.

8 Equipotential bonding

8.1 General

This Clause 8 provides requirements for protective bonding and functional bonding. Figure 4 illustrates those concepts.

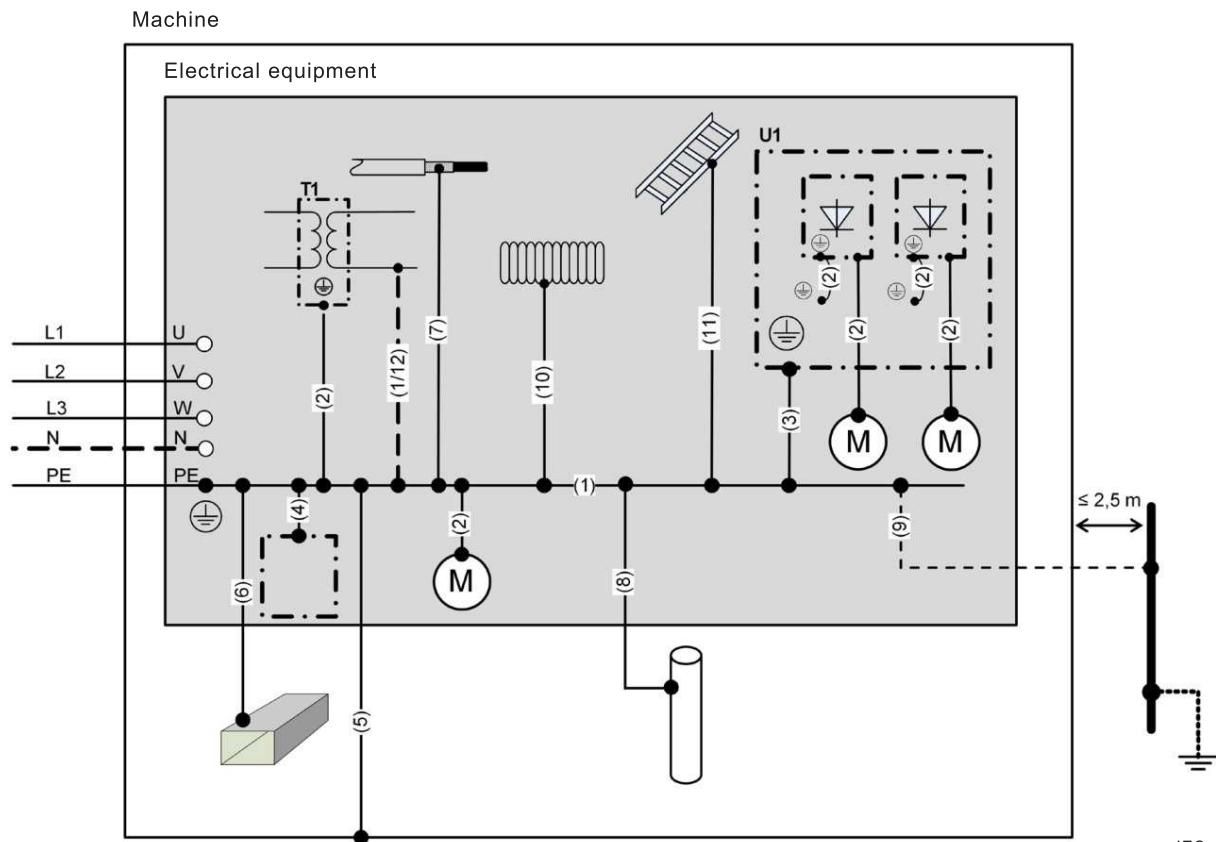
Protective bonding is a basic provision for fault protection to enable protection of persons against electric shock (see 6.3.3 and 8.2).

The objective of functional bonding (see 8.4) is to reduce:

- the consequence of an insulation failure which could affect the operation of the machine;
- electrical disturbances to sensitive electrical equipment which could affect the operation of the machine;
- induced currents from lightning which could damage the electric equipment.

Functional bonding is achieved by connection to the protective bonding circuit, but where the level of electrical disturbances on the protective bonding circuit is not sufficiently low for proper functioning of electrical equipment, it can be necessary to use separate conductors for protective and functional bonding.

<http://www.china-gauges.com/>



IEC

Protective bonding circuit:	
(1)	Interconnection of protective conductor(s) and the PE terminal
(2)	Connection of exposed conductive parts
(3)	Protective conductor connected to an electrical equipment mounting plate used as a protective conductor
(4)	Connection of conductive structural parts of the electrical equipment
(5)	Conductive structural parts of the machine
Parts connected to the protective bonding circuit which are not to be used as protective conductor:	
(6)	Metal ducts of flexible or rigid construction
(7)	Metallic cable sheaths or armouring
(8)	Metallic pipes containing flammable materials
(9)	Extraneous-conductive-parts, if earthed independently from the power supply of the machine and liable to introduce a potential, generally the earth potential, (see 17.2 d)), e.g.: metallic pipes, fences, ladders, handrails.
(10)	Flexible or pliable metal conduits
(11)	Protective bonding of support wires, cables tray and cable ladders
Connections to the protective bonding circuit for functional reasons:	
(12)	Functional bonding
Legend to reference designations:	
T1	Auxiliary transformer
U1	Mounting plate of electrical equipment

<http://www.china-gauges.com/>

Figure 4 – Example of equipotential bonding for electrical equipment of a machine

8.2 Protective bonding circuit

8.2.1 General

The protective bonding circuit consists of the interconnection of:

- PE terminal(s) (see 5.2);
- the protective conductors (see 3.1.51) in the equipment of the machine including sliding contacts where they are part of the circuit;
- the conductive structural parts and exposed conductive parts of the electrical equipment;

Exception: see 8.2.5.

- conductive structural parts of the machine.

All parts of the protective bonding circuit shall be so designed that they are capable of withstanding the highest thermal and mechanical stresses that can be caused by earth-fault currents that could flow in that part of the protective bonding circuit.

The cross-sectional area of every protective conductor which does not form part of a cable or which is not in a common enclosure with the line conductor shall be not less than

- 2,5 mm² Cu or 16 mm² Al if protection against mechanical damage is provided,
- 4 mm² Cu or 16 mm² Al if protection against mechanical damage is not provided.

NOTE The use of steel for a protective conductor is not excluded.

A protective conductor not forming part of a cable is considered to be mechanically protected if it is installed in a conduit, trunking or protected in a similar way. Conductive structural parts of equipment in accordance with 6.3.2.2 need not be connected to the protective bonding circuit. Conductive structural parts of the machine need not be connected to the protective bonding circuit where all the equipment provided is in accordance with 6.3.2.2.

Exposed conductive parts of equipment in accordance with 6.3.2.3 shall not be connected to the protective bonding circuit.

It is not necessary to connect exposed conductive parts to the protective bonding circuit where those parts are mounted so that they do not constitute a hazard because:

- they cannot be touched on large surfaces or grasped with the hand and they are small in size (less than approximately 50 mm × 50 mm); or
- they are located so that either contact with live parts, or an insulation failure, is unlikely.

This applies to small parts such as screws, rivets, and nameplates and to parts inside an enclosure, irrespective of their size (for example electromagnets of contactors or relays and mechanical parts of devices).

8.2.2 Protective conductors

Protective conductors shall be identified in accordance with 13.2.2.

Copper conductors are preferred. Where a conductor material other than copper is used, its electrical resistance per unit length shall not exceed that of the allowable copper conductor and such conductors shall be not less than 16 mm² in cross-sectional area for reasons of mechanical durability.

Metal enclosures or frames or mounting plates of electrical equipment, connected to the protective bonding circuit, may be used as protective conductors if they satisfy the following three requirements:

- their electrical continuity shall be assured by construction or by suitable connection so as to ensure protection against mechanical, chemical or electrochemical deterioration;
- they comply with the requirements of 543.1 of IEC 60364-5-54:2011;
- they shall permit the connection of other protective conductors at every predetermined tap-off point.

The cross-sectional area of protective conductors shall either be calculated in accordance with 543.1.2 of IEC 60364-5-54:2011, or selected in accordance with Table 1 (see 5.2). See also 8.2.6. and 17.2 (d) of this document.

Each protective conductor shall:

- be part of a multicore cable, or;
- be in a common enclosure with the line conductor, or;
- have a cross-sectional area of at least;
- 2,5 mm² Cu or 16 mm² Al if protection against mechanical damage is provided;
- 4 mm² Cu or 16 mm² Al if protection against mechanical damage is not provided.

NOTE 1 The use of steel for a protective conductor is not excluded.

A protective conductor not forming part of a cable is considered to be mechanically protected if it is installed in a conduit, trunking or protected in a similar way.

The following parts of the machine and its electrical equipment shall be connected to the protective bonding circuit but shall not be used as protective conductors:

- conductive structural parts of the machine;
- metal ducts of flexible or rigid construction;
- metallic cable sheaths or armouring;
- metallic pipes containing flammable materials such as gases, liquids, powder.
- flexible or pliable metal conduits;
- constructional parts subject to mechanical stress in normal service;
- flexible metal parts; support wires; cable trays and cable ladders.

NOTE 2 Information on cathodic protection is provided in 542.2.5 and 542.2.6 of IEC 60364-5-54:2011.

8.2.3 Continuity of the protective bonding circuit

<http://www.china-gauges.com/>

Where a part is removed for any reason (for example routine maintenance), the protective bonding circuit for the remaining parts shall not be interrupted.

Connection and bonding points shall be so designed that their current-carrying capacity is not impaired by mechanical, chemical, or electrochemical influences. Where enclosures and conductors of aluminium or aluminium alloys are used, particular consideration should be given to the possibility of electrolytic corrosion.

Where the electrical equipment is mounted on lids, doors, or cover plates, continuity of the protective bonding circuit shall be ensured and a protective conductor (see 8.2.2) is recommended. Where a protective conductor is not provided, fastenings, hinges or sliding contacts designed to have a low resistance shall be used (see 18.2.2, Test 1).

The continuity of conductors in cables that are exposed to damage (for example flexible trailing cables) shall be ensured by appropriate measures (for example monitoring).

For requirements for the continuity of conductors using conductor wires, conductor bars and slip-ring assemblies, see 12.7.2.

The protective bonding circuit shall not incorporate a switching device, an overcurrent protective device (for example switch, fuse), or other means of interruption.

Exception: links that cannot be opened without the use of a tool and that are located in an enclosed electrical operating area may be provided for test or measurement purposes.

Where the continuity of the protective bonding circuit can be interrupted by means of removable current collectors or plug/socket combinations, the protective bonding circuit shall be interrupted by a first make last break contact. This also applies to removable or withdrawable plug-in units (see also 13.4.5).

8.2.4 Protective conductor connecting points

All protective conductors shall be terminated in accordance with 13.1.1. The protective conductor connecting points are not intended, for example, to attach appliances or parts.

Each protective conductor connecting point shall be marked or labelled as such using the symbol IEC 60417-5019:2006-08 as illustrated in Figure 5:



Figure 5 – Symbol IEC 60417-5019: Protective earth

or with the letters PE, the graphical symbol being preferred, or by use of the bicolour combination GREEN-AND-YELLOW, or by any combination of these.

8.2.5 Mobile machines

On mobile machines with on-board power supplies, the protective conductors, the conductive structural parts of the electrical equipment, and those extraneous-conductive-parts which form the structure of the machine shall all be connected to a protective bonding terminal to provide protection against electric shock. Where a mobile machine is also capable of being connected to an external incoming power supply, this protective bonding terminal shall be the connection point for the external protective conductor.

NOTE When the supply of electrical energy is self-contained within stationary, mobile, or movable items of equipment, and when there is no external supply connected (for example when an on-board battery charger is not connected), there is no need to connect such equipment to an external protective conductor.

8.2.6 Additional requirements for electrical equipment having earth leakage currents higher than 10 mA

Where electrical equipment has an earth leakage current that is greater than 10 mA AC or DC in any protective conductor, one or more of the following conditions for the integrity of each section of the associated protective bonding circuit that carries the earth leakage current shall be satisfied:

- a) the protective conductor is completely enclosed within electrical equipment enclosures or otherwise protected throughout its length against mechanical damage;
- b) the protective conductor has a cross-sectional area of at least 10 mm² Cu or 16 mm² Al;
- c) where the protective conductor has a cross-sectional area of less than 10 mm² Cu or 16 mm² Al, a second protective conductor of at least the same cross-sectional area is

provided up to a point where the protective conductor has a cross-sectional area not less than 10 mm² Cu or 16 mm² Al. This can require that the electrical equipment has a separate terminal for a second protective conductor.

- d) the supply is automatically disconnected in case of loss of continuity of the protective conductor;
- e) where a plug-socket combination is used, an industrial connector in accordance with IEC 60309 series, with adequate strain relief and a minimum protective earthing conductor cross-section of 2,5 mm² as part of a multi-conductor power cable is provided.

A statement shall be given in the instructions for installation that the equipment shall be installed as described in this 8.2.6.

NOTE A warning label may also be provided adjacent to the PE terminal to state that the protective conductor current exceeds 10mA.

8.3 Measures to restrict the effects of high leakage current

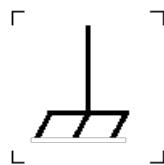
The effects of high leakage current can be restricted to the equipment having high leakage current by connection of that equipment to a dedicated supply transformer having separate windings. The protective bonding circuit shall be connected to exposed conductive parts of the equipment and, in addition, to the secondary winding of the transformer. The protective conductor(s) between the equipment and the secondary winding of the transformer shall comply with one or more of the arrangements described in 8.2.6.

8.4 Functional bonding

Protection against maloperation as a result of insulation failures can be achieved by connecting to a common conductor in accordance with 9.4.3.1.1.

For recommendations regarding functional bonding to avoid maloperation due to electromagnetic disturbances, see 4.4.2 and Annex H.

Functional bonding connecting points should be marked or labelled as such using the symbol IEC 60417-5020:2002-10 (see Figure 6).



<http://www.china-gauges.com/>

Figure 6 – Symbol IEC 60417-5020: Frame or chassis

9 Control circuits and control functions

9.1 Control circuits

9.1.1 Control circuit supply

Where control circuits are supplied from an AC source, transformers having separate windings shall be used to separate the power supply from the control supply.

Examples include:

- control transformers having separate windings in accordance with IEC 61558-2-2,
- switch mode power supply units in accordance with IEC 61558-2-16 fitted with transformers having separate windings,

- low voltage power supplies in accordance with IEC 61204-7 fitted with transformers having separate windings.

Where several transformers are used, it is recommended that the windings of those transformers be connected in such a manner that the secondary voltages are in phase.

Exception: Transformers or switch mode power supply units fitted with transformers are not mandatory for machines with a single motor starter and/or a maximum of two control devices (for example, interlock device, start/stop control station).

Where DC control circuits derived from an AC supply are connected to the protective bonding circuit (see 8.2.1), they shall be supplied from a separate winding of the AC control circuit transformer or by another control circuit transformer.

9.1.2 Control circuit voltages

The nominal value of the control voltage shall be consistent with the correct operation of the control circuit.

The nominal voltage of AC control circuits should preferably not exceed

- 230 V for circuits with 50 Hz nominal frequency,
- 277 V for circuits with 60 Hz nominal frequency.

The nominal voltage of DC control circuits should preferably not exceed 220 V.

9.1.3 Protection

Control circuits shall be provided with overcurrent protection in accordance with 7.2.4 and 7.2.10.

9.2 Control functions

9.2.1 General

NOTE Subclause 9.2 does not specify requirements for the devices used to implement control functions. Examples of requirements for devices are given in Clause 10.

9.2.2 Categories of stop functions

There are three categories of stop functions as follows:

<http://www.china-gauges.com/>

- stop category 0: stopping by immediate removal of power to the machine actuators (i.e. an uncontrolled stop – see 3.1.64);
- stop category 1: a controlled stop (see 3.1.14) with power available to the machine actuators to achieve the stop and then removal of power when the stop is achieved;
- stop category 2: a controlled stop with power remaining available to the machine actuators.

NOTE For removal of power it can be sufficient to remove the power needed to generate a torque or force. This can be achieved by declutching, disconnecting, switching off, or by electronic means (e.g. a PDS in accordance with IEC 61800 series), etc.

9.2.3 Operation

9.2.3.1 General

Safety functions and/or protective measures (for example interlocks (see 9.3)) shall be provided where required to reduce the possibility of hazardous situations.

Where a machine has more than one control station, measures shall be provided to ensure that initiation of commands from different control stations do not lead to a hazardous situation.

9.2.3.2 Start

Start functions shall operate by energizing the relevant circuit.

The start of an operation shall be possible only when all relevant safety functions and/or protective measures are in place and are operational, except for conditions as described in 9.3.6.

For those machines (for example mobile machines) where safety functions and/or protective measures cannot be applied for certain operations, starting of such operations shall be by hold-to-run controls, together with enabling devices, as appropriate.

[C] The provision of acoustic and/or visual warning signals before the starting of hazardous machine operation shall be considered during the risk assessment. Where the risk assessment determines that either or both are required the emission level of noise/light shall be suitable for the intended environment. **[C]**

Suitable interlocks shall be provided where necessary for correct sequential starting.

In the case of machines requiring the use of more than one control station to initiate a start, each of these control stations shall have a separate manually actuated start control device. The conditions to initiate a start shall be:

- all required conditions for machine operation shall be met, and
- all start control devices shall be in the released (off) position, then
- all start control devices shall be actuated concurrently (see 3.1.7).

9.2.3.3 Stop

Stop category 0 and/or stop category 1 and/or stop category 2 stop functions shall be provided as indicated by the risk assessment and the functional requirements of the machine (see 4.1).

NOTE 1 The supply disconnecting device (see 5.3) when operated achieves a stop category 0.

Stop functions shall override related start functions.

Where more than one control station is provided, stop commands from any control station shall be effective when required by the risk assessment of the machine.

NOTE 2 When stop functions are initiated, it can be necessary to discontinue machine functions other than motion.

9.2.3.4 Emergency operations (emergency stop, emergency switching off)

9.2.3.4.1 General

Emergency stop and emergency switching off are complementary protective measures that are not primary means of risk reduction for hazards (for example trapping, entanglement, electric shock or burn) at a machine (see ISO 12100).

This part of IEC 60204 specifies the requirements for the emergency stop and the emergency switching off functions of the emergency operations listed in Annex E, both of which are intended to be initiated by a single human action.

Once active operation of an emergency stop (see 10.7) or emergency switching off (see 10.8) actuator has ceased following a stop or switching off command, the effect of this command shall be sustained until it is reset. This reset shall be possible only by a manual action at the

device where the command has been initiated. The reset of the command shall not restart the machinery but only permit restarting.

It shall not be possible to restart the machinery until all emergency stop commands have been reset. It shall not be possible to reenergize the machinery until all emergency switching off commands have been reset.

9.2.3.4.2 Emergency stop

Requirements for functional aspects of emergency stop equipment are given in ISO 13850.

The emergency stop shall function either as a stop category 0 or as a stop category 1. The choice of the stop category of the emergency stop depends on the results of a risk assessment of the machine.

Exception: In some cases, to avoid creating additional risks, it can be necessary to perform a controlled stop and maintain the power to machine actuators even after stopping is achieved. The stopped condition shall be monitored and upon detection of failure of the stopped condition, power shall be removed without creating a hazardous situation.

In addition to the requirements for stop given in 9.2.3.3, the emergency stop function has the following requirements:

- it shall override all other functions and operations in all modes;
- it shall stop the hazardous motion as quickly as practicable without creating other hazards;
- reset shall not initiate a restart.

9.2.3.4.3 Emergency switching off

The functional aspects of emergency switching off are given in 536.4 of IEC 60364-5-53:2001.

Emergency switching off should be provided where:

- basic protection (for example for conductor wires, conductor bars, slip-ring assemblies, controlgear in electrical operating areas) is achieved only by placing out of reach or by obstacles (see 6.2.6); or
- there is the possibility of other hazards or damage caused by electricity.

Emergency switching off is accomplished by switching off the relevant supply by electromechanical switching devices, effecting a stop category 0 of machine actuators connected to this incoming supply. When a machine cannot tolerate this category 0 stop, it may be necessary to provide other measures, for example basic protection, so that emergency switching off is not necessary.

9.2.3.5 Operating modes

Each machine can have one or more operating modes (for example manual mode, automatic mode, setting mode, maintenance mode) determined by the type of machine and its application.

Where machinery has been designed and constructed to allow its use in several control or operating modes requiring different protective measures and having a different impact on safety, it shall be fitted with a mode selector which can be locked in each position (for example key operated switch). Each position of the selector shall be clearly identifiable and shall correspond to a single operating or control mode.

The selector may be replaced by another selection method which restricts the use of certain functions of the machinery to certain categories of operator (for example access code).

Mode selection by itself shall not initiate machine operation. A separate actuation of the start control shall be required.

For each specific operating mode, the relevant safety functions and/or protective measures shall be implemented.

Indication of the selected operating mode shall be provided (for example the position of a mode selector, the provision of an indicating light, a visual display indication).

9.2.3.6 Monitoring of command actions

Movement or action of a machine or part of a machine that can result in a hazardous situation shall be monitored by providing, for example, overtravel limiters, motor overspeed detection, mechanical overload detection or anti-collision devices.

NOTE On some manually controlled machines (for example, manual drilling machine), operators provide monitoring.

9.2.3.7 Hold-to-run controls

Hold-to-run controls shall require continuous actuation of the control device(s) to achieve operation.

9.2.3.8 Two-hand control

Three types of two-hand control are defined in ISO 13851, the selection of which is determined by the risk assessment. These shall have the following features:

Type I: this type requires:

- the provision of two control devices and their concurrent actuation by both hands;
- continuous concurrent actuation during the hazardous situation;
- machine operation shall cease upon the release of either one or both of the control devices when hazardous situations are still present.

A Type I two-hand control device is not considered to be suitable for the initiation of hazardous operation.

Type II: a Type I control requiring the release of both control devices before machine operation can be reinitiated.

<http://www.china-gauges.com/>

Type III: a Type II control requiring concurrent actuation of the control devices as follows:

- it shall be necessary to actuate the control devices within a certain time limit of each other, not exceeding 0,5 s;
- where this time limit is exceeded, both control devices shall be released before machine operation can be initiated.

9.2.3.9 Enabling control

Enabling control (see also 10.9) is a manually activated control function interlock that:

- a) when activated allows a machine operation to be initiated by a separate start control, and
- b) when de-activated
 - initiates a stop function, and
 - prevents initiation of machine operation.

Enabling control shall be so arranged as to minimize the possibility of defeating, for example by requiring the de-activation of the enabling control device before machine operation may be reinitiated.

9.2.3.10 Combined start and stop controls


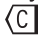
Push-buttons and similar control devices that, when operated, alternately initiate and stop motion shall only be provided for functions which cannot result in a hazardous situation.

9.2.4 Cableless control system (CCS)

9.2.4.1 General requirements

Subclause 9.2.4 deals with the functional requirements of control systems employing cableless (for example radio, infra-red) techniques for transmitting control signals and data between operator control station(s) and other parts of the control system(s).

NOTE 1 Reference to a machine in 9.2.4 is intended to be read as “machine or part(s) of a machine”.

 Where a safety function of a CCS relies on data transmission the transmission reliability shall be considered. 

The CCS shall have functionality and a response time suitable for the application based on the risk assessment.

NOTE 2 IEC 61784-3 describes communication failures of communication networks and requirements for safety-related data transmission.

NOTE 3 Further requirements for cableless control systems are under development by IEC TC 44 in draft IEC 62745¹.

9.2.4.2 Monitoring the ability of a cableless control system to control a machine

The ability of a cableless control system (CCS) to control a machine shall be automatically monitored, either continuously or at suitable intervals. The status of this ability shall be clearly indicated (for example, by an indicating light, a visual display indication, etc.)

If the communication signal is degraded in a manner that might lead to the loss of the ability of a CCS to control a machine (e.g., reduced signal level, low battery power) a warning to the operator shall be provided before the ability of the CCS to control a machine is lost.

When the ability of a CCS to control a machine has been lost for a period that is determined from a risk assessment of the application, an automatic stop of the machine shall be initiated. <http://www.china-gauges.com/>

NOTE In some cases, for example, in order to avoid this automatic stop generating an unexpected hazardous condition, it can be necessary for the machine to go to a predetermined state before stopping.

Restoration of the ability of a CCS to control a machine shall not restart the machine. Restart shall require a deliberate action, for example manual actuation of a start button.

9.2.4.3 Control limitation

Measures shall be taken (e.g. coded transmission) to prevent the machine from responding to signals other than those from the intended cableless operator control station(s).

Cableless operator control station(s) shall only control the intended machine(s) and shall affect only the intended machine functions.

¹ Under consideration.

9.2.4.4 Use of multiple cableless operator control stations

When more than one cableless operator control station is used to control a machine, then:

- only one cableless operator control station shall be enabled at a time except as necessary for the operation of the machine;
- transfer of control from one cableless operator control station to another shall require a deliberate manual action at the control station that has control;
- during machine operation, transfer of control shall only be possible when both cableless operator control stations are set to the same mode of machine operation and/or function(s) of the machine;
- transfer of control shall not change the selected mode of machine operation and/or function(s) of the machine;
- each cableless operator control station that has control of the machine shall be provided with an indication that it has control (by for example, the provision of an indicating light, a visual display indication).

NOTE Indications at other locations can be necessary as determined by the risk assessment.

9.2.4.5 Portable cableless operator control stations

Portable cableless operator control stations shall be provided with means (for example key operated switch, access code) to prevent unauthorized use.

Each machine under cableless control should have an indication when it is under cableless control.

When a portable cableless operator control station can be connected to one or more of several machines, means shall be provided on the portable cableless operator control station to select which machine(s) is to be connected. Selecting a machine to be connected shall not initiate control commands.

9.2.4.6 Deliberate disabling of cableless operator control stations

Where a cableless operator control station is disabled when under control, the associated machine shall meet the requirements for loss of ability of a CCS to control a machine in 9.2.4.2.

Where it is necessary to disable a cableless operator control station without interrupting machine operation, means shall be provided (for example on the <http://www.china-gauges.com/> station) to transfer control to another fixed or portable control station.

9.2.4.7 Emergency stop devices on portable cableless operator control stations

Emergency stop devices on portable cableless operator control stations shall not be the sole means of initiating the emergency stop function of a machine.

Confusion between active and inactive emergency stop devices shall be avoided by appropriate design and information for use. See also ISO 13850.

9.2.4.8 Emergency stop reset

Restarting of cableless control after power loss, disabling and re-enabling, loss of communication, or failure of parts of the CCS shall not result in a reset of an emergency stop condition.

The instructions for use shall state that the reset of an emergency stop condition initiated by a portable cableless operator control station shall only be performed when it can be seen that the reason for initiation has been cleared.

- Ⓒ Where the risk assessment show that resetting of an emergency stop actuator on the portable cableless operator control station is not adequate then one or more supplementary fixed resets shall be provided. Ⓒ

9.3 Protective interlocks

9.3.1 Reclosing or resetting of an interlocking safeguard

The reclosing or resetting of an interlocking safeguard shall not initiate hazardous machine operation.

NOTE Requirements for interlocking guards with a start function (control guards) are specified in 6.3.3.2.5 of ISO 12100:2010.

9.3.2 Exceeding operating limits

Where an operating limit (for example speed, pressure, position) can be exceeded leading to a hazardous situation, means shall be provided to detect when a predetermined limit(s) is exceeded and initiate an appropriate control action.

9.3.3 Operation of auxiliary functions

The correct operation of auxiliary functions shall be checked by appropriate devices (for example pressure sensors).

Where the non-operation of a motor or device for an auxiliary function (for example lubrication, supply of coolant, swarf removal) can cause a hazardous situation, or cause damage to the machine or to the work in progress, appropriate interlocking shall be provided.

9.3.4 Interlocks between different operations and for contrary motions

All contactors, relays, and other control devices that control elements of the machine and that can cause a hazardous situation when actuated at the same time (for example those which initiate contrary motion), shall be interlocked against incorrect operation.

Reversing contactors (for example those controlling the direction of rotation of a motor) shall be interlocked in such a way that in normal service no short-circuit can occur when switching. <http://www.china-gauges.com/>

Where, for safety or for continuous operation, certain functions on the machine are required to be interrelated, proper co-ordination shall be ensured by suitable interlocks. For a group of machines working together in a co-ordinated manner and having more than one controller, provision shall be made to co-ordinate the operations of the controllers as necessary.

Where a failure of a mechanical brake actuator can result in the brake being applied when the associated machine actuator is energized and a hazardous situation can result, interlocks shall be provided to switch off the machine actuator.

9.3.5 Reverse current braking

Where braking of a motor is accomplished by current reversal, measures shall be provided to prevent the motor starting in the opposite direction at the end of braking where that reversal can cause a hazardous situation or damage to the machine or to the work in progress. For this purpose, a device operating exclusively as a function of time is not permitted.

Control circuits shall be so arranged that rotation of a motor shaft, for example by applying a manual force or any other force causing the shaft to rotate after it has stopped, shall not result in a hazardous situation.

9.3.6 Suspension of safety functions and/or protective measures

Where it is necessary to suspend safety functions and/or protective measures (for example for setting or maintenance purposes), the control or operating mode selector shall simultaneously:

- disable all other operating (control) modes;
- permit operation only by the use of a hold-to-run device or by a similar control device positioned so as to permit sight of the hazardous elements;
- permit operation of the hazardous elements only in reduced risk conditions (e.g. reduced speed, reduced power / force, step-by-step operation, e.g. with a limited movement control device);
- prevent any operation of hazardous functions by voluntary or involuntary action on the machine's sensors.

If these four conditions cannot be fulfilled simultaneously, the control or operating mode selector shall activate other protective measures designed and constructed to ensure a safe intervention zone. In addition, the operator shall be able to control operation of the parts he is working on from the adjustment point.

9.4 Control functions in the event of failure

9.4.1 General requirements

Where failures or disturbances in the electrical equipment can cause a hazardous situation or damage to the machine or to the work in progress, appropriate measures shall be taken to minimize the probability of the occurrence of such failures or disturbances. The required measures and the extent to which they are implemented, either individually or in combination, depend on the level of risk associated with the respective application (see 4.1).

Examples of such measures that can be appropriate include but are not limited to:

- protective interlocking of the electrical circuit;
- use of proven circuit techniques and components (see 9.4.2.2);
- provision of partial or complete redundancy (see 9.4.2.3) or diversity (see 9.4.2.4);
- provision for functional tests (see 9.4.2.5).

The electrical control system(s) shall have an appropriate performance that has been determined from the risk assessment of the machine.

The requirements for safety-related control functions of IEC 62061 and/or ISO 13849-1, ISO 13849-2 shall apply.

Where functions performed by the electrical control system(s) have safety implications but application of IEC 62061 leads to a required safety integrity less than that required by SIL 1, compliance with the requirements of this part of IEC 60204 can lead to an adequate performance of the electrical control system(s).

Where memory retention is achieved for example, by battery power, measures shall be taken to prevent hazardous situations arising from failure, undervoltage or removal of the battery.

Means shall be provided to prevent unauthorized or inadvertent memory alteration by, for example, requiring the use of a key, access code or tool.

9.4.2 Measures to minimize risk in the event of failure

9.4.2.1 General

Measures to minimize risk in the event of failure include but are not limited to:

- use of proven circuit techniques and components;
- provisions of partial or complete redundancy;
- provision of diversity;
- provision for functional tests.

9.4.2.2 Use of proven circuit techniques and components

These measures include but are not limited to:

- bonding of control circuits to the protective bonding circuit for functional purposes (see 9.4.3.1.1 and Figure 4);
- connection of control devices in accordance with 9.4.3.1.1;
- stopping by de-energizing;
- the switching of all control circuit conductors (for example both sides of a coil) of the device being controlled;
- switching devices having direct opening action (see IEC 60947-5-1);
- monitoring by:
 - use of mechanically linked contacts (see IEC 60947-5-1);
 - use of mirror contacts (see IEC 60947-4-1);
- circuit design to reduce the possibility of failures causing undesirable operations.

9.4.2.3 Provisions of partial or complete redundancy

By providing partial or complete redundancy, it is possible to minimize the probability that one single failure in the electrical circuit can result in a hazardous situation. Redundancy can be effective in normal operation (on-line redundancy) or designed as special circuits that take over the protective function (off-line redundancy) only where the operating function fails.

Where off-line redundancy which is not active during normal operation is provided, suitable measures shall be taken to ensure that those control circuits are available when required.

<http://www.china-gauges.com/>

9.4.2.4 Provision of diversity

The use of control circuits having different principles of operation, or using different types of components or devices can reduce the probability of hazards resulting from faults and/or failures. Examples include:

- the use of a combination of normally open and normally closed contacts;
- the use of different types of control devices in the circuit(s);
- the combination of electromechanical and electronic equipment in redundant configurations.

The combination of electrical and non-electrical systems (for example mechanical, hydraulic, pneumatic) may perform the redundant function and provide the diversity.

9.4.2.5 Provision for functional tests

Functional tests may be carried out automatically by the control system, or manually by inspection or tests at start-up and at predetermined intervals, or a combination as appropriate (see also 17.2 and 18.6).

9.4.3 Protection against malfunction of control circuits

9.4.3.1 Insulation faults

9.4.3.1.1 General

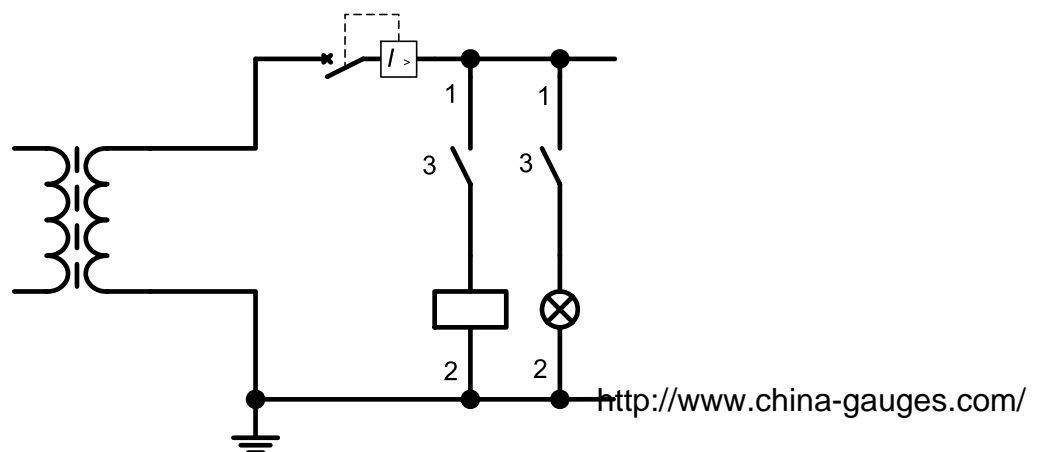
Measures shall be provided to reduce the probability that insulation faults on any control circuit can cause malfunction such as unintentional starting, potentially hazardous motions, or prevent stopping of the machine.

The measures to meet the requirements include but are not limited to the following methods:

- method a) Earthed control circuits fed by transformers;
- method b) Non-earthed control circuits fed by transformers;
- method c) Control circuits fed by transformer with an earthed centre-tap winding;
- method d) Control circuits not fed by a transformer.

9.4.3.1.2 Method a) – Earthed control circuits fed by transformers

The common conductor shall be connected to the protective bonding circuit at the point of supply. All contacts, solid state elements, etc., which are intended to operate an electromagnetic or other device (for example, a relay, indicator light) are to be inserted between the switched conductor of the control circuit supply and one terminal of the coil or device. The other terminal of the coil or device is connected directly to the common conductor of the control circuit supply without any switching elements (see Figure 7).



IEC

1	Switched conductors
2	Common conductors
3	Control switches

Figure 7 – Method a) Earthed control circuit fed by a transformer

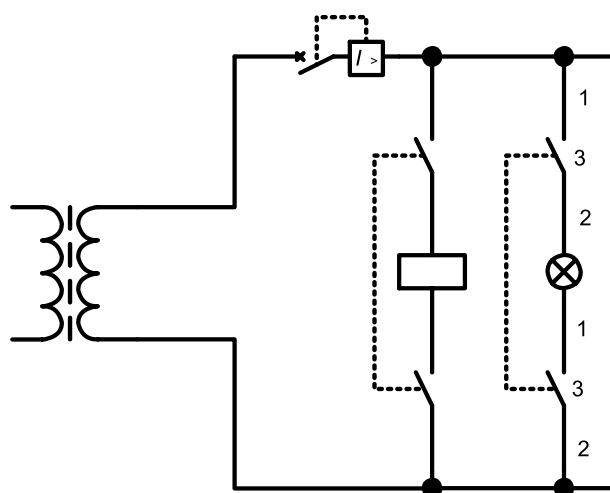
NOTE Method a) can be used also for DC control circuits. In this case the transformer shown in Figure 7 is substituted by a DC power supply unit.

Exception: Contacts of protective devices may be connected between the common conductor and the coils, provided that the connection is very short (for example in the same enclosure) so that an earth fault is unlikely (for example overload relays directly fitted to contactors).

9.4.3.1.3 Method b) – Non-earthed control circuits fed by transformers

Control circuits fed from a control transformer that is not connected to the protective bonding circuit shall either:

- 1) have 2-pole control switches that operate on both conductors, see Figure 8; or
- 2) be provided with a device, for example an insulation monitoring device, that interrupts the circuit automatically in the event of an earth fault, see Figure 9; or
- 3) where an interruption as per item 2 above would increase the risk, for example when continued operation is required during the first fault to earth, it can be sufficient to provide an insulation monitoring device (e.g. in accordance with IEC 61557-8) that will initiate an acoustic and optical signal at the machine, see Figure 10. Requirements for the procedure to be performed by the machine user in response to this alarm shall be described in the information for use.



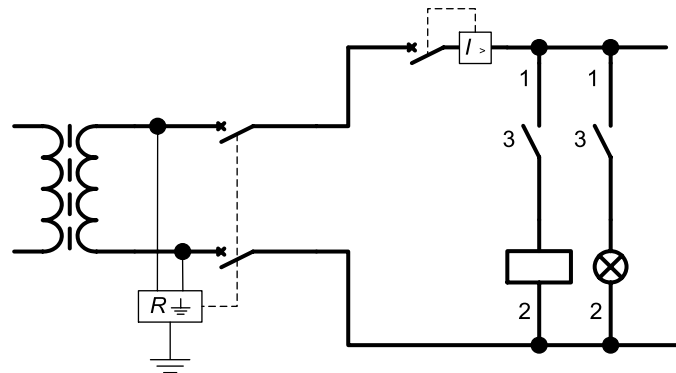
IEC

1	Switched conductors
2	Common conductors
3	Control switches

Figure 8 – Method b1) Non-earthed control circuit fed by transformer

<http://www.china-gauges.com/>

NOTE 1 Method b1) can be used also for DC control circuits. In this case the transformer shown in Figure 8 is substituted by a DC power supply.



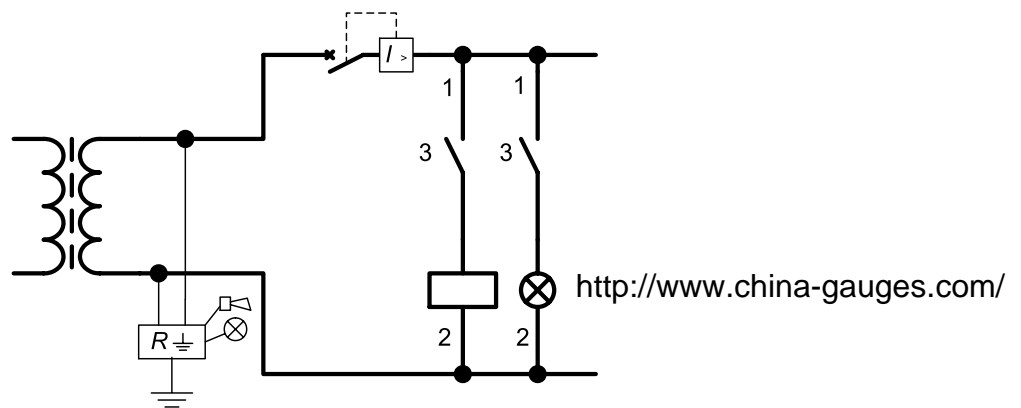
IEC

1	Switched conductors
2	Common conductors
3	Control switches

Figure 9 – Method b2) Non-earthed control circuit fed by transformer

NOTE 2 Method b2) can be used also for DC control circuits. In this case the transformer shown in Figure 9 is substituted by a DC power supply.

NOTE 3 Figure 9 does not show the overcurrent protective devices in the measurement circuits for protection of the insulation monitoring device.



<http://www.china-gauges.com/>

IEC

1	Switched conductors
2	Common conductors
3	Control switches

Figure 10 – Method b3) Non-earthed control circuit fed by transformer

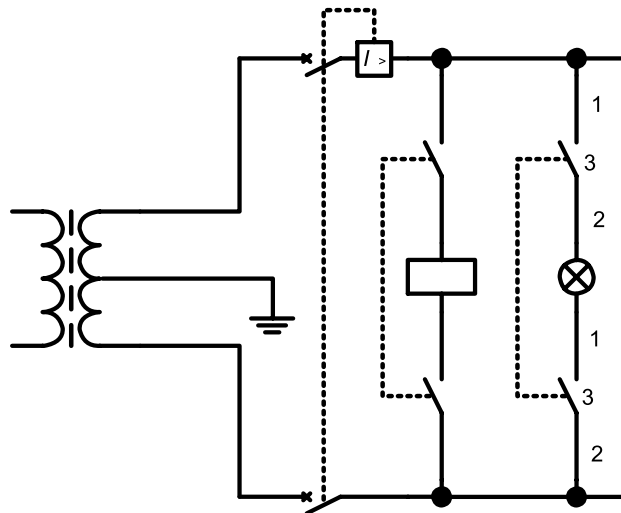
NOTE 4 Method b3) can be used also for DC control circuits. In this case the transformer shown in Figure 10 is substituted by a DC power supply. When a transformer and rectifier combination is used, the insulation monitoring device is connected to the protective bonding circuit in the DC part of the control circuit, so after the rectifier.

NOTE 5 Figure 10 does not show the overcurrent protective devices in the measurement circuits for protection of the insulation monitoring device.

9.4.3.1.4 Method c) – Control circuits fed by transformer with an earthed centre-tap winding

Control circuits fed from a control transformer with its centre-tap winding connected to the protective bonding circuit shall have overcurrent protective devices that break both the conductors.

The control switches shall be 2-pole types that operate on both conductors.



IEC

1	Switched conductors
2	Common conductors
3	Control switches

Figure 11 – Method c) Control circuits fed by transformer with an earthed centre-tap winding

<http://www.china-gauges.com/>

9.4.3.1.5 Method d) – Control circuits not fed by a transformer

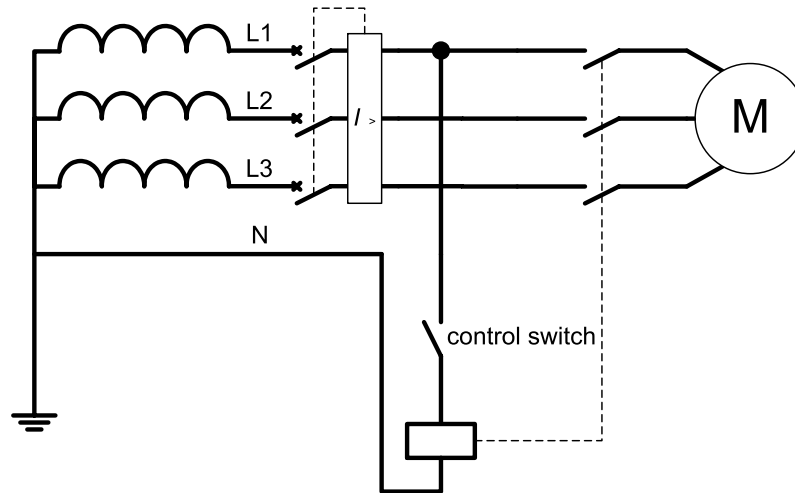
Control circuits that are not fed by a control transformer or switch mode power supply units fitted with transformers having separate windings in accordance with IEC 61558-2-16 are only allowed for machines with a maximum of one motor starter and/or maximum of two control devices, in accordance with 9.1.1.

Depending on the earthing of the supply system the possible cases are:

- 1) directly connected to an earthed supply system (TN- or TT-system) and:
 - a) being powered between a line conductor and the neutral conductor, see Figure 12; or
 - b) being powered between two line conductors, see Figure 13; or
- 2) directly connected to a supply system that is not earthed or is earthed through a high impedance (IT-system) and:
 - a) being powered between a line conductor and the neutral conductor, see Figure 14; or
 - b) being powered between two line conductors, see Figure 15.

Method d1b) requires multi-pole control switches that switch all live conductors in order to avoid an unintentional start in case of an earth fault in the control circuit.

Method d2) requires that a device shall be provided that interrupts the circuit automatically in the event of an earth fault.

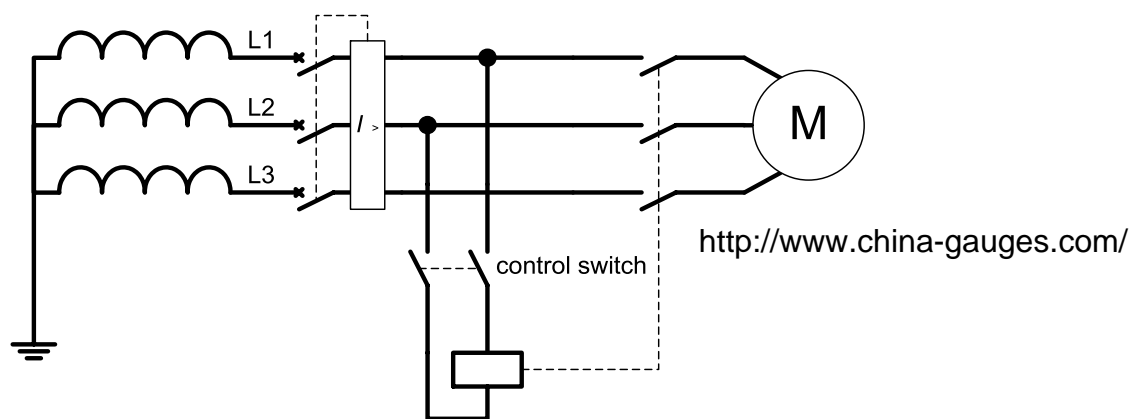


IEC

Figure 12 – Method d1a) Control circuit without transformer connected between a phase and the neutral of an earthed supply system

NOTE 1 Figure 12 shows the case where the supply system is a TN system. The control circuit is the same in the case of a TT system.

NOTE 2 Figure 12 does not show any protective devices for the power circuit and control circuit, provisions for which are stated in 6.3 and 7.2.

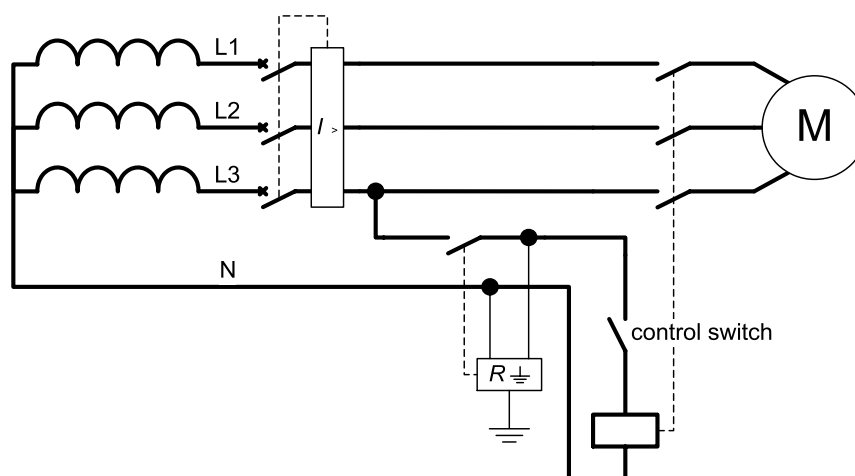


IEC

Figure 13 – Method d1b) Control circuit without transformer connected between two phases of an earthed supply system

NOTE 3 Figure 13 shows the case where the supply system is a TN system. The control circuit is the same in case of a TT system.

NOTE 4 Figure 13 does not show any necessary protective devices for power circuit and control circuit, provisions for which are stated in 6.3 and 7.2.



IEC

Figure 14 – Method d2a) Control circuit without transformer connected between phase and neutral of a non-earthed supply system

NOTE 5 Figure 14 does not show any necessary protective devices for the power circuit and control circuit, provisions for which are stated in 6.3 and 7.2.

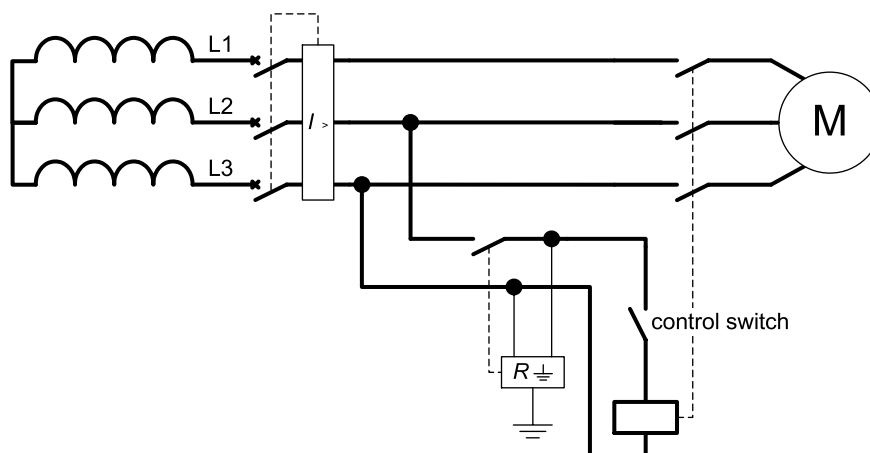


Figure 15 – Method d2b) control circuit without transformer connected between two phases of a non-earthed supply system

<http://www.china-gauges.com/>

NOTE 6 Figure 15 does not show any necessary protective devices for power circuit and control circuit, provisions for which are stated in 6.3 and 7.2.

9.4.3.2 Voltage interruptions

See also 7.5.

Where the control system uses a memory device(s), proper functioning in the event of power failure shall be ensured (for example by using a non-volatile memory) to prevent any loss of memory that can result in a hazardous situation.

9.4.3.3 Loss of circuit continuity

Where the loss of continuity of control circuits depending upon sliding contacts can result in a hazardous situation, appropriate measures shall be taken (for example by duplication of the sliding contacts).

10 Operator interface and machine-mounted control devices

10.1 General

10.1.1 General requirements

Control devices for operator interface shall, as far as is practicable, be selected, mounted, and identified or coded in accordance with IEC 61310 series.

The possibility of inadvertent operation shall be minimized by, for example, positioning of devices, suitable design, provision of additional protective measures. Particular consideration shall be given to the selection, arrangement, programming and use of operator input devices such as touchscreens, keypads and keyboards for the control of hazardous machine operations, and of sensors (for example position sensors) that can initiate machine operation. Further information can be found in IEC 60447.

Ergonomic principles shall be taken into account in the location of operator interface devices.

10.1.2 Location and mounting

As far as is practicable, machine-mounted control devices shall be:

- readily accessible for service and maintenance;
- mounted in such a manner as to minimize the possibility of damage from activities such as material handling.

The actuators of hand-operated control devices shall be selected and installed so that:

- they are not less than 0,6 m above the servicing level and are within easy reach of the normal working position of the operator;
- the operator is not placed in a hazardous situation when operating them.

The actuators of foot-operated control devices shall be selected and installed so that:

- they are within easy reach of the normal working position of the operator;
- the operator is not placed in a hazardous situation when operating them.

10.1.3 Protection

The degree of protection (IP rating in accordance with IEC 60529), together with other appropriate measures shall provide protection against: <http://www.china-gauges.com/>

- the effects of liquids, vapours, or gases found in the physical environment or used on the machine;
- the ingress of contaminants (for example swarf, dust, particulate matter).

In addition, the operator interface control devices shall have a minimum degree of protection against contact with live parts of IPXXD in accordance with IEC 60529.

10.1.4 Position sensors

Position sensors (for example position switches, proximity switches) shall be so arranged that they will not be damaged in the event of overtravel.

Position sensors in circuits with safety-related control functions (for example, to maintain the safe condition of the machine or prevent hazardous situations arising at the machine) shall have direct opening action (see IEC 60947-5-1) or shall provide similar reliability (see 9.4.2).

10.1.5 Portable and pendant control stations

Portable and pendant operator control stations and their control devices shall be so selected and arranged as to minimize the possibility of machine operations caused by inadvertent actuation, shocks and vibrations (for example if the operator control station is dropped or strikes an obstruction) (see also 4.4.8).

10.2 Actuators

10.2.1 Colours

Actuators (see 3.1.1) shall be colour-coded as follows.

The colours for START/ON actuators should be WHITE, GREY, BLACK or GREEN with a preference for WHITE. RED shall not be used.

The colour RED shall be used for emergency stop and emergency switching off actuators (including supply disconnecting devices where it is foreseen that they are for use in an emergency). If a background exists immediately around the actuator, then this background shall be coloured YELLOW. The combination of a RED actuator with a YELLOW background shall only be used for emergency operation devices.

The colours for STOP/OFF actuators should be BLACK, GREY, or WHITE with a preference for BLACK. GREEN shall not be used. RED is permitted, but it is recommended that RED is not used near an emergency operation device.

WHITE, GREY, or BLACK are the preferred colours for actuators that alternately act as START/ON and STOP/OFF actuators. The colours RED, YELLOW, or GREEN shall not be used.

WHITE, GREY, or BLACK are the preferred colours for actuators that cause operation while they are actuated and cease the operation when they are released (for example hold-to-run). The colours RED, YELLOW, or GREEN shall not be used.

Reset actuators shall be BLUE, WHITE, GREY, or BLACK. Where they also act as a STOP/OFF actuator, the colours WHITE, GREY, or BLACK are preferred with the main preference being for BLACK. GREEN shall not be used.

The colour YELLOW is reserved for use in abnormal conditions, for example, in the event of an abnormal condition of the process, or to interrupt an automatic cycle. <http://www.china-gauges.com/>

Where the same colour WHITE, GREY, or BLACK is used for various functions (for example WHITE for START/ON and for STOP/OFF actuators) a supplementary means of coding (for example shape, position, symbol) shall be used for the identification of actuators.

10.2.2 Markings

In addition to the functional identification as described in 16.3, recommended symbols to be placed near to or preferably directly on certain actuators are given in Table 2 or 3.

Table 2 – Symbols for actuators (Power)

Power			
ON	OFF	ON/OFF (push on-push off)	ON (hold-to-run)
IEC 60417-5007 (2002-10)	IEC 60417-5008 (2002-10)	IEC 60417-5010 (2002-10)	IEC 60417-5011 (2002-10)

Table 3 – Symbols for actuators (Machine operation)

Machine operation			
START	STOP	HOLD-TO-RUN	EMERGENCY STOP
IEC 60417-5104 (2006-08)	IEC 60417-5110A (2004-06)	IEC 60417-5011 (2002-10)	IEC 60417-5638 (2002-10)

10.3 Indicator lights and displays

10.3.1 General

Indicator lights and displays serve to give the following types of information:

- indication: to attract the operator's attention or to indicate that a certain task should be performed. The colours RED, YELLOW, BLUE, and GREEN are normally used in this mode; for flashing indicator lights and displays, see 10.3.3.
- confirmation: to confirm a command, or a condition, or to confirm the termination of a change or transition period. The colours BLUE and WHITE are normally used in this mode and GREEN may be used in some cases.

Indicator lights and displays shall be selected and installed in such a manner as to be visible from the normal position of the operator (see also IEC 61310-1).

Circuits used for visual or audible devices used to warn persons of an impending hazardous event shall be fitted with facilities to check the operability of these devices.

10.3.2 Colours

Indicator lights should be colour-coded with respect to the condition (status) of the machine in accordance with Table 4.

Table 4 – Colours for indicator lights and their meanings with respect to the condition of the machine

Colour	Meaning	Explanation	Action by operator
RED	Emergency	Hazardous condition	Immediate action to deal with hazardous condition (for example switching off the machine supply, being alert to the hazardous condition and staying clear of the machine)
YELLOW	Abnormal	Abnormal condition Impending critical condition	Monitoring and/or intervention (for example by re-establishing the intended function)
BLUE	Mandatory	Indication of a condition that requires action by the operator	Mandatory action
GREEN	Normal	Normal condition	Optional
WHITE	Neutral	Other conditions; may be used whenever doubt exists about the application of RED, YELLOW, GREEN, BLUE	Monitoring

Indicating towers on machines should have the applicable colours in the following order from the top down; RED, YELLOW, BLUE, GREEN and WHITE.

10.3.3 Flashing lights and displays

For further distinction or information and especially to give additional emphasis, flashing lights and displays can be provided for the following purposes:

- to attract attention;
- to request immediate action;
- to indicate a discrepancy between the command and actual state;
- to indicate a change in process (flashing during transition).

It is recommended that higher flashing frequencies are used for higher priority information (see IEC 60073 for recommended flashing rates and pulse/pause ratios).

Where flashing lights or displays are used to provide higher priority information, additional acoustic warnings should be considered.

10.4 Illuminated push-buttons

Illuminated push-button actuators shall be colour-coded in accordance with 10.2.1. Where there is difficulty in assigning an appropriate colour, WHITE shall be used.

<http://www.china-gauges.com/>

The colour of active emergency stop actuators shall remain RED regardless of the state of the illumination.

10.5 Rotary control devices

Devices having a rotational member, such as potentiometers and selector switches, shall have means of prevention of rotation of the stationary member. Friction alone shall not be considered sufficient.

10.6 Start devices

Actuators used to initiate a start function or the movement of machine elements (for example slides, spindles, carriers) shall be constructed and mounted so as to minimize inadvertent operation.

10.7 Emergency stop devices

10.7.1 Location of emergency stop devices

Devices for emergency stop shall be readily accessible.

Emergency stop devices shall be provided at each location where the initiation of an emergency stop can be required.

There can be circumstances where confusion can occur between active and inactive emergency stop devices caused by, for example, unplugging or otherwise disabling an operator control station. In such cases, means (for example, design and information for use) shall be provided to minimise confusion.

10.7.2 Types of emergency stop device

The types of device for emergency stop include, but are not limited to:

- a push-button device for actuation by the palm or the fist (e.g. mushroom head type);
- a pull-cord operated switch;
- a pedal-operated switch without a mechanical guard.

The devices shall be in accordance with IEC 60947-5-5.

10.7.3 Operation of the supply disconnecting device to effect emergency stop

Where a stop category 0 is suitable, the supply disconnecting device may serve the function of emergency stop where:

- it is readily accessible to the operator; and
- it is of the type described in 5.3.2 a), b), c), or d).

Where intended for emergency use, the supply disconnecting device shall meet the colour requirements of 10.2.1.

10.8 Emergency switching off devices

10.8.1 Location of emergency switching off devices

Emergency switching off devices shall be located as necessary for the given application. Normally, those devices will be located separate from operator control stations. Where confusion can occur between emergency stop and emergency switching off devices, means shall be provided to minimise confusion.

NOTE This can be achieved by, for example, the provision of a break-glass enclosure for the emergency switching off device.

10.8.2 Types of emergency switching off device

The types of device for initiation of emergency switching off include:

- a push-button operated switch with a palm or mushroom head type of actuator;
- a pull-cord operated switch.

The devices shall have direct opening action (see Annex K of IEC 60947-5-1:2003 and IEC 60947-5-1:2003/AMD1:2009).

10.8.3 Local operation of the supply disconnecting device to effect emergency switching off

Where the supply disconnecting device is to be locally operated for emergency switching off, it shall be readily accessible and shall meet the colour requirements of 10.2.1.

10.9 Enabling control device

The enabling control function is described in 9.2.3.9.

Enabling control devices shall be selected and arranged so as to minimize the possibility of defeating.

Enabling control devices shall be selected that have the following features:

- designed in accordance with ergonomic principles;
- for a two-position type:
 - position 1: off-function of the switch (actuator is not operated);
 - position 2: enabling function (actuator is operated).
- for a three-position type:
 - position 1: off-function of the switch (actuator is not operated);
 - position 2: enabling function (actuator is operated in its mid position);
 - position 3: off-function (actuator is operated past its mid position);
 - when returning from position 3 to position 2, the enabling function is not activated.

NOTE IEC 60947-5-8 specifies requirements for three-position enabling switches.

11 Controlgear: location, mounting, and enclosures

11.1 General requirements

All controlgear shall be located and mounted so as to facilitate:

- its accessibility and maintenance;
- its protection against the external influences or conditions under which it is intended to operate;
- operation and maintenance of the machine and its associated equipment <http://www.china-gauges.com/>

11.2 Location and mounting

11.2.1 Accessibility and maintenance

All items of controlgear shall be placed and oriented so that they can be identified without moving them or the wiring. For items that require checking for correct operation or that are liable to need replacement, those actions should be possible without dismantling other equipment or parts of the machine (except opening doors or removing covers, barriers or obstacles). Terminals not part of controlgear components or devices shall also conform to these requirements.

All controlgear shall be mounted so as to facilitate its operation and maintenance. Where a special tool is necessary to adjust, maintain, or remove a device, such a tool shall be supplied. Where access is required for regular maintenance or adjustment, the relevant devices shall be located between 0,4 m and 2,0 m above the servicing level. It is recommended that terminals be at least 0,2 m above the servicing level and be so placed that conductors and cables can be easily connected to them.

No devices except devices for operating, indicating, measuring, and cooling shall be mounted on doors or on access covers of enclosures that are expected to be removed.

Where control devices are connected through plug-in arrangements, their association shall be made clear by type (shape), marking or reference designation, singly or in combination (see 13.4.5).

Plug-in devices that are handled during normal operation shall be provided with non-interchangeable features where the lack of such a facility can result in malfunctioning.

Plug/socket combinations that are handled during normal operation shall be located and mounted so as to provide unobstructed access.

Test points for connection of test equipment, where provided, shall be:

- mounted so as to provide unobstructed access;
- clearly identified to correspond with the documentation;
- adequately insulated;
- sufficiently spaced.

11.2.2 Physical separation or grouping

Non-electrical parts and devices, not directly associated with the electrical equipment, shall not be located within enclosures containing controlgear. Devices such as solenoid valves should be separated from the other electrical equipment (for example in a separate compartment).

Control devices mounted in the same location and connected to the power circuits, or to both power and control circuits, should be grouped separately from those connected only to the control circuits.

Terminals shall be separated into groups for:

- power circuits;
- control circuits of the machine;
- other control circuits, fed from external sources (for example for interlocking).

The groups may be mounted adjacently, provided that each group can be readily identified (for example by markings, by use of different sizes, by use of barriers <http://www.china-gauges.com/>).

When arranging the location of devices (including interconnections), the clearances and creepage distances specified for them by the supplier shall be maintained, taking into account the external influences or conditions of the physical environment.

11.2.3 Heating effects

The temperature rise inside electrical equipment enclosures shall not exceed the ambient temperature specified by the component manufacturers.

NOTE 1 IEC TR 60890 can be used for the calculation of temperature rise inside enclosures.

Heat generating components (for example heat sinks, power resistors) shall be so located that the temperature of each component in the vicinity remains within the permitted limit.

NOTE 2 Information on the selection of insulating materials to resist thermal stresses is given in IEC 60216 and IEC 60085.

11.3 Degrees of protection

The protection of controlgear against ingress of solid foreign objects and of liquids shall be adequate taking into account the external influences under which the machine is intended to operate (i.e. the location and the physical environmental conditions) and shall be sufficient against dust, coolants, lubricants and swarf.

NOTE 1 The degrees of protection against ingress of water are covered by IEC 60529. Additional protective measures can be necessary against other liquids.

Enclosures of controlgear shall provide a degree of protection of at least IP22 (see IEC 60529).

Exception: an enclosure providing a minimum degree of protection IP22 is not required where:

- a) an electrical operating area provides an appropriate degree of protection against ingress of solids and liquids, or:
- b) removable collectors on conductor wire or conductor bar systems are used and the measures of 12.7.1 are applied.

NOTE 2 Some examples of applications, along with the degree of protection typically provided by their enclosures, are listed below:

– ventilated enclosure, containing only motor starter resistor and other large size equipment	IP10
– ventilated enclosure, containing other equipment	IP32
– enclosure used in general industry	IP32, IP43 and IP54
– enclosure used in locations that are cleaned with low-pressure water jets (hosing)	IP55
– enclosure providing protection against fine dust	IP65
– enclosure containing slip-ring assemblies	IP2X

Depending upon the conditions where installed, another degree of protection can be appropriate.

11.4 Enclosures, doors and openings

Enclosures shall be constructed using materials capable of withstanding the mechanical, electrical and thermal stresses as well as the effects of humidity and other environmental factors that are likely to be encountered in normal service.

Fasteners used to secure doors and covers should be of the captive type <http://www.china-gauges.com/>

Windows of enclosures shall be of a material suitable to withstand expected mechanical stress and chemical attack.

It is recommended that enclosure doors having vertical hinges be not wider than 0,9 m, with an angle of opening of at least 95°.

The joints or gaskets of doors, lids, covers and enclosures shall withstand the chemical effects of the aggressive liquids, vapours, or gases used on the machine. The means provided to maintain the degree of protection of an enclosure on doors, lids and covers that require opening or removal for operation or maintenance shall:

- be securely attached to either the door/cover or the enclosure;
- not deteriorate due to removal or replacement of the door or the cover, and so impair the degree of protection.

Where openings in enclosures are provided (for example, for cable access), including those towards the floor or foundation or to other parts of the machine, means shall be provided to

ensure the degree of protection specified for the equipment. Openings for cable entries shall be easy to re-open on site. A suitable opening may be provided in the base of enclosures within the machine so that moisture due to condensation can drain away.

There shall be no opening between enclosures containing electrical equipment and compartments containing coolant, lubricating or hydraulic fluids, or those into which oil, other liquids, or dust can penetrate. This requirement does not apply to electrical devices specifically designed to operate in oil (for example electromagnetic clutches) nor to electrical equipment in which coolants are used.

Where there are holes in an enclosure for mounting purposes, means may be necessary to ensure that after mounting, the holes do not impair the required protection.

Equipment that, in normal or abnormal operation, can attain a surface temperature sufficient to cause a risk of fire or [C] detrimental [C] effect to an enclosure material shall:

- be located within an enclosure that will withstand, without risk of fire or harmful effect, such temperatures as can be generated; and
- be mounted and located at a sufficient distance from adjacent equipment so as to allow safe dissipation of heat (see also 11.2.3); or
- be otherwise screened by material that can withstand, without risk of fire or harmful effect, the heat emitted by the equipment.

NOTE A warning label in accordance with 16.2.2 can be necessary.

11.5 Access to electrical equipment

Doors in gangways and for access to electrical operating areas shall:

- be at least 0,7 m wide and 2,0 m high;
- open outwards;
- have a means (for example panic bolts) to allow opening from the inside without the use of a key or tool.

NOTE Further information is given in IEC 60364-7-729.

12 Conductors and cables

12.1 General requirements

Conductors and cables shall be selected so as to be suitable for the operating conditions (for example voltage, current, protection against electric shock, grouping of cables) and external influences (for example ambient temperature, presence of water or corrosive substances, mechanical stresses (including stresses during installation), fire hazards) that can exist. <http://www.china-gauges.com/>

These requirements do not apply to the integral wiring of assemblies, subassemblies, and devices that are manufactured and tested in accordance with their relevant IEC standard (for example IEC 61800 series).

12.2 Conductors

Conductors should be of copper. Where aluminium conductors are used, the cross-sectional area shall be at least 16 mm².

To ensure adequate mechanical strength, the cross-sectional area of conductors should not be less than as shown in Table 5. However, conductors with smaller cross-sectional areas or other constructions than shown in Table 5 may be used in equipment provided adequate mechanical strength is achieved by other means and proper functioning is not impaired.

NOTE Classification of conductors is given in Table D.4.

Table 5 – Minimum cross-sectional areas of copper conductors

Location		Type of conductor, cable				
		Single core		Multicore		
		Flexible Class 5 or 6	Solid (class 1) or stranded (class 2)	Two core, shielded	Two core not shielded	Three or more cores, shielded or not
Wiring outside (protecting) enclosures	Power circuits, fixed	1,0	1,5	0,75	0,75	0,75
	Power circuits, subjected to frequent movements	1,0	–	0,75	0,75	0,75
	Control circuits	1,0	1,0	0,2	0,5	0,2
	Data communication	–	–	–	–	0,08
Wiring inside enclosures ^{a)}	Power circuits (connections not moved)	0,75	0,75	0,75	0,75	0,75
	Control circuits	0,2	0,2	0,2	0,2	0,2
	Data communication	–	–	–	–	0,08

NOTE All cross-sections in mm².

^{a)} Except special requirements of individual standards, see also 12.1.

Class 1 and class 2 conductors are primarily intended for use between rigid, non-moving parts where vibration is not considered to be likely to cause damage.

All conductors that are subject to frequent movement (for example one movement per hour of machine operation) should have flexible stranding of class 5 or class 6.

12.3 Insulation

Where the insulation of conductors and cables can constitute hazards due for example to the propagation of a fire or the emission of toxic or corrosive fumes, guidance from the cable supplier shall be sought. It is important to give special attention to the integrity of a circuit having a safety-related function.

The insulation of cables and conductors used, shall be suitable for a test voltage: <http://www.china-gauges.com/>

- not less than 2 000 V AC for a duration of 5 min for operation at voltages higher than 50 V AC or 120 V DC, or
- not less than 500 V AC for a duration of 5 min for PELV circuits (see IEC 60364-4-41, class III equipment).

The mechanical strength and thickness of the insulation shall be such that the insulation cannot be damaged in operation or during laying, especially for cables pulled into ducts.

12.4 Current-carrying capacity in normal service

The current-carrying capacity depends on several factors, for example insulation material, number of conductors in a cable, design (sheath), methods of installation, grouping and ambient temperature.

NOTE 1 Detailed information and further guidance can be found in IEC 60364-5-52, in some national standards or given by the manufacturer.

One typical example of the current-carrying capacities for PVC insulated wiring between enclosures and individual items of equipment under steady-state conditions is given in Table 6.

NOTE 2 For specific applications where the correct cable dimensioning can depend on the relationship between the period of the duty cycle and the thermal time constant of the cable (for example starting against high-inertia load, intermittent duty), the cable manufacturer can provide information.

Table 6 – Examples of current-carrying capacity (I_z) of PVC insulated copper conductors or cables under steady-state conditions in an ambient air temperature of +40 °C for different methods of installation

Cross-sectional area mm ²	Installation method (see D.2.2)			
	B1	B2	C	E
	Current-carrying capacity I_z for three phase circuits			
	A			
0,75	8,6	8,5	9,8	10,4
1,0	10,3	10,1	11,7	12,4
1,5	13,5	13,1	15,2	16,1
2,5	18,3	17,4	21	22
4	24	23	28	30
6	31	30	36	37
10	44	40	50	52
16	59	54	66	70
25	77	70	84	88
35	96	86	104	110
50	117	103	125	133
70	149	130	160	171
95	180	156	194	207
120	208	179	225	240
	Control circuit pairs			
0,20	4,5	4,3	4,4	4,4
0,5	7,9	7,5	7,5	7,8
0,75	9,5	9,0	9,5	10

NOTE 1 The values of the current-carrying capacity of Table 6 are based on:

- one symmetrical three-phase circuit for cross-sectional areas 0,75 mm² and greater;
- one control circuit pair for cross-sectional areas between 0,2 mm² and 0,75 mm².

Where more loaded cables/pairs are installed, derating factors for the values of Table 6 can be found in Tables D.2 or D.3.

NOTE 2 For ambient temperatures other than 40 °C, correction factors for current-carrying capacities are provided in Table D.1.

NOTE 3 These values are not applicable to flexible cables wound on drums (see 12.6.3).

NOTE 4 Current-carrying capacities of other cables are provided in IEC 60364-5-52.

12.5 Conductor and cable voltage drop

The voltage drop from the point of supply to the load in any power circuit cable shall not exceed 5 % of the nominal voltage under normal operating conditions. In order to conform to this requirement, it can be necessary to use conductors having a larger cross-sectional area than that derived from Table 6.

In control circuits, the voltage drop shall not reduce the voltage at any device below the manufacturer's specification for that device, taking into account inrush currents.

See also 4.3.

The voltage drop in components, for example overcurrent protective devices and switching devices, should be considered.

12.6 Flexible cables

12.6.1 General

Flexible cables shall have Class 5 or Class 6 conductors.

NOTE 1 Class 6 conductors have smaller diameter strands and are more flexible than Class 5 conductors (see Table D.4).

Cables that are subjected to severe duties shall be of adequate construction to protect against:

- abrasion due to mechanical handling and dragging across rough surfaces;
- kinking due to operation without guides;
- stress resulting from guide rollers and forced guiding, being wound and re-wound on cable drums.

NOTE 2 Cables for such conditions are specified in some national standards.

NOTE 3 The operational life of the cable will be reduced where unfavourable operating conditions such as high tensile stress, small radii, bending into another plane and/or where frequent duty cycles coincide.

12.6.2 Mechanical rating

The cable handling system of the machine shall be so designed to keep the tensile stress of the conductors as low as is practicable during machine operations. Where copper conductors are used, the tensile stress applied to the conductors shall not exceed 15 N/mm^2 of the copper cross-sectional area. Where the demands of the application exceed the tensile stress limit of 15 N/mm^2 , cables with special construction features should be used and the allowed maximal tensile stress should be agreed with the cable manufacturer.

The maximum stress applied to the conductors of flexible cables with material other than copper shall be within the cable manufacturer's specification.

<http://www.china-gauges.com/>

NOTE The following conditions affect the tensile stress on the conductors:

- acceleration forces;
- speed of motion;
- dead (hanging) weight of the cables;
- method of guiding;
- design of cable drum system.

12.6.3 Current-carrying capacity of cables wound on drums

Cables to be wound on drums shall be selected with conductors having a cross-sectional area such that, when fully wound on the drum and carrying the normal service load, the maximum allowable conductor temperature is not exceeded.

For cables of circular cross-sectional area installed on drums, the maximum current-carrying capacity in free air should be derated in accordance with Table 7

NOTE The current-carrying capacity of cables in free air can be found in manufacturers' specifications or in relevant national standards.

Table 7 – Derating factors for cables wound on drums

Drum type	Number of layers of cable				
	Any number	1	2	3	4
Cylindrical ventilated	–	0,85	0,65	0,45	0,35
Radial ventilated	0,85	–	–	–	–
Radial non-ventilated	0,75	–	–	–	–

It is recommended that the use of derating factors be discussed with the cable and the cable drum manufacturers. This may result in other factors being used.

NOTE 1 A radial type drum is one where spiral layers of cable are accommodated between closely spaced flanges; if fitted with solid flanges, the drum is described as non-ventilated and if the flanges have suitable apertures, as ventilated.

NOTE 2 A ventilated cylinder drum is one where the layers of cable are accommodated between widely spaced flanges and the drum and end flanges have ventilating apertures.

12.7 Conductor wires, conductor bars and slip-ring assemblies

12.7.1 Basic protection

Conductor wires, conductor bars and slip-ring assemblies shall be installed or enclosed in such a way that, during normal access to the machine, basic protection is achieved by the application of one of the following protective measures:

- protection by partial insulation of live parts, or where this is not practicable;
- protection by enclosures or barriers of at least IP2X or IPXXB.

Horizontal top surfaces of barriers or enclosures that are readily accessible shall provide a degree of protection of at least IP4X or IPXXD.

Where the required degree of protection is not achieved, protection by placing live parts out of reach in combination with emergency switching off in accordance with 9.2.3.4.3 shall be applied.

Conductor wires and conductor bars shall be so placed and/or protected as to:

- prevent contact, especially for unprotected conductor wires and conductor bars, with conductive items such as the cords of pull-cord switches, strain-relief devices and drive chains;
<http://www.china-gauges.com/>
- prevent damage from a swinging load.

See also 6.2.6.

12.7.2 Protective conductors

Where conductor wires, conductor bars and slip-ring assemblies are installed as part of the protective bonding circuit, they shall not carry current in normal operation. Therefore, the protective conductor (PE) and the neutral conductor (N) shall each use a separate conductor wire, conductor bar or slip-ring.

The continuity of protective conductors using sliding contacts shall be ensured by taking appropriate measures (for example, duplication of the current collector, continuity monitoring).

12.7.3 Protective conductor current collectors

Protective conductor current collectors shall have a shape or construction so that they are not interchangeable with the other current collectors. Such current collectors shall be of the sliding contact type.

12.7.4 Removable current collectors with a disconnecter function

Removable current collectors having a disconnecter function shall be so designed that the protective conductor circuit is interrupted only after the live conductors have been disconnected, and the continuity of the protective conductor circuit is re-established before any live conductor is reconnected (see also 8.2.3).

12.7.5 Clearances in air

Clearances between the respective conductors, and between adjacent systems, of conductor wires, conductor bars, slip-ring assemblies and their current collectors shall be suitable for at least a rated impulse voltage of an overvoltage category III in accordance with IEC 60664-1.

12.7.6 Creepage distances

Creepage distances between the respective conductors, between adjacent systems of conductor wires, conductor bars and slip-ring assemblies, and their current collectors shall be suitable for operation in the intended environment, for example open air, inside buildings, protected by enclosures.

In abnormally dusty, moist or corrosive environments, the following creepage distance requirements apply:

- unprotected conductor wires, conductor bars, and slip-ring assemblies shall be equipped with insulators with a minimum creepage distance of 60 mm;
- enclosed conductor wires, insulated multipole conductor bars and insulated individual conductor bars shall have a minimum creepage distance of 30 mm.

The manufacturer's recommendations shall be followed regarding special measures to prevent a gradual reduction in the insulation values due to unfavourable ambient conditions (for example deposits of conductive dust, chemical attack).

12.7.7 Conductor system sectioning

Where conductor wires or conductor bars are arranged so that they can be divided into isolated sections, suitable design measures shall be employed to prevent the energization of adjacent sections by the current collectors themselves.

12.7.8 Construction and installation of conductor wire, conductor bar systems and slip-ring assemblies

Conductor wires, conductor bars and slip-ring assemblies in power circuits shall be grouped separately from those in control circuits. <http://www.china-gauges.com/>

Conductor wires, conductor bars and slip-ring assemblies, including their current collectors, shall be capable of withstanding, without damage, the mechanical forces and thermal effects of short-circuit currents.

Removable covers for conductor wire and conductor bar systems laid underground or underfloor shall be so designed that they cannot be opened by one person without the aid of a tool.

Where conductor bars are installed in a common metal enclosure, the individual sections of the enclosure shall be bonded together and connected to the protective bonding circuit. Metal covers of conductor bars laid underground or underfloor shall also be bonded together and connected to the protective bonding circuit.

The protective bonding circuit shall include the covers or cover plates of metal enclosures or underfloor ducts. Where metal hinges form a part of the protective bonding circuit, their continuity shall be verified (see Clause 18).

Conductor bar ducts that can be subject to accumulation of liquid such as oil or water shall have drainage facilities.

13 Wiring practices

13.1 Connections and routing

13.1.1 General requirements

All connections, especially those of the protective bonding circuit, shall be secured against accidental loosening.

The means of connection shall be suitable for the cross-sectional areas and nature of the conductors being terminated.

The connection of two or more conductors to one terminal is permitted only in those cases where the terminal is designed for that purpose. However, only one protective conductor shall be connected to one terminal connecting point.

Soldered connections shall only be permitted where terminals are provided that are suitable for soldering.

Terminals on terminal blocks shall be plainly marked or labelled to correspond with the identification used in the diagrams.

NOTE IEC 61666 provides rules that can be used for the designation of terminals within the electrical equipment.

Where an incorrect electrical connection (for example, arising from replacement of devices) is identified as a source of risk that needs to be reduced and it is not practicable to reduce the possibility of incorrect connection by design measures, the conductors and/or terminations shall be identified.

The installation of flexible conduits and cables shall be such that liquids shall drain away from the fittings.

Means of retaining conductor strands shall be provided when terminating conductors at devices or terminals that are not equipped with this facility. Solder shall not be used for that purpose. <http://www.china-gauges.com/>

Shielded conductors shall be so terminated as to prevent fraying of strands and to permit easy disconnection.

Identification tags shall be legible, permanent, and appropriate for the physical environment.

Terminal blocks shall be mounted and wired so that the wiring does not cross over the terminals.

13.1.2 Conductor and cable runs

Conductors and cables shall be run from terminal to terminal without splices or joints. Connections using plug/socket combinations with suitable protection against accidental disconnection are not considered to be splices or joints for the purpose of 13.1.2.

Exception: Where it is impracticable to provide terminals in a junction box (for example on mobile machines, on machines having long flexible cables; cable connections exceeding a length which is not practical to be supplied by the cable manufacturer on one cable drum), splices or joints may be used.

Where it is necessary to connect and disconnect cables and cable assemblies, sufficient extra length shall be provided for that purpose.

The terminations of cables shall be adequately supported to prevent mechanical stresses at the terminations of the conductors.

Wherever practicable, the protective conductor shall be placed close to the associated live conductors in order to decrease the impedance of the loop.

13.1.3 Conductors of different circuits

Conductors of different circuits may be laid side by side, may occupy the same duct (for example conduit, cable trunking system), or may be in the same multiconductor cable or in the same plug/socket combination provided that the arrangement does not impair the proper functioning of the respective circuits and:

- where those circuits operate at different voltages, the conductors are separated by suitable barriers or;
- the conductors are insulated for the highest voltage to which any of the conductors can be subjected, for example line to line voltage for unearthed systems and phase to earth voltage for earthed systems.

13.1.4 AC circuits – Electromagnetic effects (prevention of eddy currents)

Conductors of AC circuits installed in ferromagnetic enclosures shall be arranged so that all conductors of each circuit, including the protective conductor of each circuit, are contained in the same enclosure. Where such conductors enter a ferrous enclosure, they shall be arranged such that the conductors are not individually surrounded by ferromagnetic material.

Single-core cables armoured with steel wire or steel tape should not be used for AC circuits.

NOTE 1 The steel wire or steel tape armour of a single-core cable is regarded as a ferromagnetic enclosure. For single-core wire armoured cables, the use of aluminium armour is recommended.

NOTE 2 Derived from IEC 60364-5-52.

13.1.5 Connection between pick-up and pick-up converter of an inductive power supply system

<http://www.china-gauges.com/>

The cable between the pick-up and the pick-up converter shall be:

- as short as practicable;
- adequately protected against mechanical damage.

NOTE The output of the pick-up can be a current source, therefore damage to the cable can result in a high voltage hazard.

13.2 Identification of conductors

13.2.1 General requirements

Each conductor shall be identifiable at each termination in accordance with the technical documentation.

It is recommended (for example to facilitate maintenance) that conductors be identified by number, alphanumeric, colour (either solid or with one or more stripes), or a combination of

colour and numbers or alphanumeric. When numbers are used, they shall be Arabic; letters shall be Roman (either upper or lower case).

NOTE 1 Annex B can be used for agreement between supplier and user regarding a preferred method of identification.

NOTE 2 IEC 62491 provides rules and guidelines for the labelling of cables and cores/conductors used in industrial installations, equipment and products.

13.2.2 Identification of the protective conductor / protective bonding conductor

The protective conductor / protective bonding conductor shall be readily distinguishable from other conductors by shape, location, marking, or colour. When identification is by colour alone, the bicolour combination GREEN-AND-YELLOW shall be used throughout the length of the conductor. This colour identification is strictly reserved for protective conductors/protective bonding conductors.

For insulated conductors, the bicolour combination GREEN-AND-YELLOW shall be such that on any 15 mm length, one of the colours covers at least 30 % and not more than 70 % of the surface of the conductor, the other colour covering the remainder of the surface.

Where the protective conductor(s) can be easily identified by its shape, position, or construction (for example a braided conductor, uninsulated stranded conductor), or where the insulated conductor is not readily accessible or is part of a multicore cable, colour coding throughout its length is not necessary. However, where the conductor is not clearly visible throughout its length, the ends or accessible locations shall be clearly identified by the graphical symbol IEC 60417-5019:2006-08 (see Figure 16) or with the letters PE or by the bicolour combination GREEN-AND-YELLOW.



Figure 16 – Symbol IEC 60417-5019

Exception: Protective bonding conductors may be marked with the letters PB and/or the symbol IEC 60417-5021 (2002-10) (see Figure 17).



<http://www.china-gauges.com/>

Figure 17 – Symbol IEC 60417-5021

13.2.3 Identification of the neutral conductor

Where a circuit includes a neutral conductor that is identified by colour alone, the colour used for this conductor shall be BLUE. In order to avoid confusion with other colours, it is recommended that an unsaturated blue be used, called here “light blue” (see 6.2.2 of IEC 60445:2010). Where the selected colour is the sole identification of the neutral conductor, that colour shall not be used for identifying any other conductor where confusion is possible.

Where identification by colour is used, bare conductors used as neutral conductors shall be either coloured by a stripe, 15 mm to 100 mm wide in each compartment or unit and at each accessible location, or coloured throughout their length.

13.2.4 Identification by colour

Where colour-coding is used for identification of conductors (other than the protective conductor (see 13.2.2) and the neutral conductor (see 13.2.3)), the following colours may be used:

BLACK, BROWN, RED, ORANGE, YELLOW, GREEN, BLUE (including LIGHT BLUE), VIOLET, GREY, WHITE, PINK, TURQUOISE.

NOTE This list of colours is derived from IEC 60757.

It is recommended that, where colour is used for identification, the colour be used throughout the length of the conductor either by the colour of the insulation or by colour markers at regular intervals and at the ends or accessible location.

For safety reasons, the colour GREEN or the colour YELLOW should not be used where there is a possibility of confusion with the bicolour combination GREEN-AND-YELLOW (see 13.2.2).

Colour identification using combinations of those colours listed above may be used provided there can be no confusion and that GREEN or YELLOW is not used except in the bicolour combination GREEN-AND-YELLOW.

Where colour-coding is used for identification of conductors, it is recommended that they be colour-coded as follows:

- BLACK: AC and DC power circuits;
- RED: AC control circuits;
- BLUE: DC control circuits;
- ORANGE: excepted circuits in accordance with 5.3.5.

Exceptions to the above are permitted where insulation is not available in the colours recommended (for example in multiconductor cables).

13.3 Wiring inside enclosures

Conductors inside enclosures shall be supported where necessary to keep them in place. Non-metallic ducts shall be permitted only when they are made with a flame-retardant insulating material (see the IEC 60332 series).

It is recommended that electrical equipment mounted inside enclosures be designed and constructed in such a way as to permit modification of the wiring from the front of the enclosure (see also 11.2.1). Where that is not practicable and control devices are connected from the rear of the enclosure, access doors or swingout panels shall be provided.

Connections to devices mounted on doors or to other movable parts shall be made using flexible conductors in accordance with 12.2 and 12.6 to allow for the frequent movement of the part. The conductors shall be anchored to the fixed part and to the movable part independently of the electrical connection (see also 8.2.3 and 11.2.1).

Conductors and cables that do not run in ducts shall be adequately supported.

Terminal blocks or plug/socket combinations shall be used for control wiring that extends beyond the enclosure. For plug/socket combinations, see also 13.4.5 and 13.4.6.

Power cables and cables of measuring circuits may be directly connected to the terminals of the devices for which the connections were intended.

13.4 Wiring outside enclosures

13.4.1 General requirements

The means of introduction of cables or ducts with their individual glands, bushings, etc., into an enclosure shall ensure that the degree of protection is not reduced (see 11.3).

Conductors of a circuit shall not be distributed over different multi-core cables, conduits, cable ducting systems or cable trunking systems. This is not required where a number of multi-core cables, forming one circuit, are installed in parallel. Where multi-core cables are installed in parallel, each cable shall contain one conductor of each phase and the neutral if any.

13.4.2 External ducts

Conductors and their connections external to the electrical equipment enclosure(s) shall be enclosed in suitable ducts (i.e. conduit or cable trunking systems) as described in 13.5 except for suitably protected cables that may be installed without ducts and with or without the use of cable trays or cable support means. Where devices such as position switches or proximity switches are supplied with a dedicated cable, their cable need not be enclosed in a duct when the cable is suitable for the purpose, sufficiently short, and so located or protected, that the risk of damage is minimized.

Fittings used with ducts or cables shall be suitable for the physical environment.

Flexible conduit or flexible multiconductor cable shall be used where it is necessary to employ flexible connections to pendant push-button stations. The weight of the pendant stations shall be supported by means other than the flexible conduit or the flexible multiconductor cable, except where the conduit or cable is specifically designed for that purpose.

13.4.3 Connection to moving elements of the machine

The design of connections to moving parts shall take into account the foreseeable frequency of movement and shall be made using conductors in accordance with 12.2 and 12.6. Flexible cable and flexible conduit shall be so installed as to avoid excessive flexing and straining, particularly at the fittings.

Cables subject to movement shall be supported in such a way that there is no mechanical strain on the connection points nor any sharp flexing. When this is achieved by the provision of a loop, it shall have sufficient length to provide for a bending radius of the cable as specified by the cable manufacturer or if no such specification is given, at least 10 times the diameter of the cable.

Flexible cables of machines shall be so installed or protected as to minimize the possibility of external damage due to factors that include the following cable use or potential abuse:

- being run over by the machine itself;
- being run over by vehicles or other machines;
- coming into contact with the machine structure during movements;
- running in and out of cable baskets, or on or off cable drums;
- acceleration forces and wind forces on festoon systems or suspended cables;
- excessive rubbing by cable collector;
- exposure to excessive radiated heat.

The cable sheath shall be resistant to the normal wear that can be expected from movement and to the effects of environmental contaminants (for example oil, water, coolants, dust).

Where cables subject to movement are close to moving parts, precautions shall be taken to maintain a space of at least 25 mm between the moving parts and the cables. Where that distance is not practicable, fixed barriers shall be provided between the cables and the moving parts.

The cable handling system shall be so designed that lateral cable angles do not exceed 5°, avoiding torsion in the cable when:

- being wound on and off cable drums; and
- approaching and leaving cable guidance devices.

Measures shall be taken to ensure that at least two turns of flexible cables always remain on a drum.

Devices serving to guide and carry a flexible cable shall be so designed that the inner bending radius at all points where the cable is bent is not less than the values given in Table 8, unless otherwise agreed with the cable manufacturer, taking into account the permissible tension and the expected fatigue life.

Table 8 – Minimum permitted bending radii for the forced guiding of flexible cables

Application	Cable diameter or thickness of flat cable (<i>d</i>) mm		
	$d \leq 8$	$8 < d \leq 20$	$d > 20$
Cable drums	6 <i>d</i>	6 <i>d</i>	8 <i>d</i>
Guide rollers	6 <i>d</i>	8 <i>d</i>	8 <i>d</i>
Festoon systems	6 <i>d</i>	6 <i>d</i>	8 <i>d</i>
All others	6 <i>d</i>	6 <i>d</i>	8 <i>d</i>

The straight section between two bends shall be at least 20 times the diameter of the cable.

Where flexible conduit is adjacent to moving parts, the construction and supporting means shall prevent damage to the flexible conduit under all conditions of operation.

<http://www.china-gauges.com/>

Flexible conduit shall not be used for connections subject to rapid or frequent movements except when specifically designed for that purpose.

13.4.4 Interconnection of devices on the machine

Where several machine-mounted devices (for example position sensors, push-buttons) are connected in series or in parallel, it is recommended that the connections between those devices be made through terminals forming intermediate test points. Such terminals shall be conveniently placed, adequately protected, and shown on the relevant diagrams.

13.4.5 Plug/socket combinations

Components or devices inside an enclosure, terminated by fixed plug/socket combinations (no flexible cable), or components connected to a bus system by a plug/socket combination, are not considered to be plug/socket combinations for the purpose of this 13.4.5.

After installation in accordance with item a) below, plug/socket combinations shall be of such a type as to prevent unintentional contact with live parts at any time, including during insertion

or removal of the connectors. The degree of protection shall be at least IP2X or IPXXB. PELV circuits are excepted from this requirement.

Where the plug/socket contains a contact for the protective bonding circuit, it shall have a first make last break contact (see also 8.2.4).

Plug/socket combinations intended to be connected or disconnected during load conditions shall have sufficient load-breaking capacity. Where the plug/socket combination is rated at 30 A, or greater, it shall be interlocked with a switching device so that the connection and disconnection is possible only when the switching device is in the OFF position.

Plug/socket combinations that are rated at more than 16 A shall have a retaining means to prevent unintended or accidental disconnection.

Where an unintended or accidental disconnection of plug/socket combinations can cause a hazardous situation, they shall have a retaining means.

The installation of plug/socket combinations shall fulfil the following requirements as applicable:

- a) The component which remains live after disconnection shall have a degree of protection of at least IP2X or IPXXB, taking into account the required clearance and creepage distances. PELV circuits are excepted from this requirement.
- b) Metallic housings of plug/socket combinations shall be connected to the protective bonding circuit.
- c) Plug/socket combinations intended to carry power loads but not to be disconnected during load conditions shall have a retaining means to prevent unintended or accidental disconnection and shall be clearly marked that they are not intended to be disconnected under load.
- d) Where more than one plug/socket combination is provided in the same electrical equipment, the associated combinations shall be clearly identifiable. It is recommended that mechanical coding be used to prevent incorrect insertion.
- e) Plug/socket combinations used in control circuits shall fulfil the applicable requirements of IEC 61984.

Exception: In plug/socket combinations in accordance with IEC 60309-1, only those contacts shall be used for control circuits which are intended for those purposes. This exception does not apply to control circuits using high frequency signals superimposed on the power circuits.

13.4.6 Dismantling for shipment

<http://www.china-gauges.com/>

Where it is necessary that wiring be disconnected for shipment, terminals or plug/socket combinations shall be provided at the sectional points. Such terminals shall be suitably enclosed and plug/socket combinations shall be protected from the physical environment during transportation and storage.

13.4.7 Additional conductors

Consideration should be given to providing additional conductors for maintenance or repair. When spare conductors are provided, they shall be connected to spare terminals or isolated in such a manner as to prevent contact with live parts.

13.5 Ducts, connection boxes and other boxes

13.5.1 General requirements

Ducts shall provide a degree of protection (see IEC 60529) suitable for the application.

All sharp edges, flash, burrs, rough surfaces, or threads with which the insulation of the conductors can come in contact shall be removed from ducts and fittings. Where necessary, additional protection consisting of a flame-retardant, oil-resistant insulating material shall be provided to protect conductor insulation.

Drain holes of 6 mm diameter are permitted in cable trunking systems, connection boxes, and other boxes used for wiring purposes that can be subject to accumulations of oil or moisture.

In order to prevent confusion of conduits with oil, air, or water piping, it is recommended that the conduits be either physically separated or suitably identified.

Ducts and cable trays shall be rigidly supported and positioned at a sufficient distance from moving parts and in such a manner so as to minimize the possibility of damage or wear. In areas where human passage is required, the ducts and cable trays shall be mounted at least 2 m above the working surface.

Cable trays that are partially covered should not be considered to be ducts or cable trunking systems (see 13.5.6), and the cables used shall be of a type suitable for installation on open cable trays.

It is recommended that the dimensions and arrangement of ducts be such as to facilitate the insertion of the conductors and cables.

13.5.2 Rigid metal conduit and fittings

Rigid metal conduit and fittings shall be of galvanized steel or of a corrosion-resistant material suitable for the conditions. C Where galvanic action is possible between dissimilar metals metal these combinations shall not be used. C

Conduits shall be securely held in place and supported at each end.

Fittings shall be compatible with the conduit and appropriate for the application. Fittings should be threaded unless structural difficulties prevent assembly. Where threadless fittings are used, the conduit shall be securely fastened to the equipment.

Conduit bends shall be made in such a manner that the conduit shall not be damaged and the internal diameter of the conduit shall not be effectively reduced.

13.5.3 Flexible metal conduit and fittings

<http://www.china-gauges.com/>

A flexible metal conduit shall consist of a flexible metal tubing or woven wire armour. It shall be suitable for the expected physical environment.

Fittings shall be compatible with the conduit and appropriate for the application.

13.5.4 Flexible non-metallic conduit and fittings

Flexible non-metallic conduit shall be resistant to kinking and shall have physical characteristics similar to those of the sheath of multiconductor cables.

The conduit shall be suitable for use in the expected physical environment.

Fittings shall be compatible with the conduit and appropriate for the application.

13.5.5 Cable trunking systems

Cable trunking systems external to enclosures shall be rigidly supported and clear of all moving parts of the machine and of sources of contamination.

Covers shall be shaped to overlap the sides; gaskets shall be permitted. Covers shall be attached to cable trunking systems by suitable means. On horizontal cable trunking systems, the cover shall not be on the bottom unless specifically designed for such installation.

NOTE Requirements for cable trunking and ducting systems for electrical installations are given in the IEC 61084 series.

Where the cable trunking system is furnished in sections, the joints between sections shall fit tightly but need not be gasketed.

The only openings permitted shall be those required for wiring or for drainage. Cable trunking systems shall not have opened but unused knockouts.

13.5.6 Machine compartments and cable trunking systems

The use of compartments or cable trunking systems within the column or base of a machine to enclose conductors is permitted provided the compartments or cable trunking systems are isolated from coolant or oil reservoirs and are entirely enclosed. Conductors run in enclosed compartments and cable trunking systems shall be so secured and arranged that they are not subject to damage.

13.5.7 Connection boxes and other boxes

Connection boxes and other boxes used for wiring purposes shall be accessible for maintenance. Those boxes shall provide protection against the ingress of solid bodies and liquids, taking into account the external influences under which the machine is intended to operate (see 11.3).

Those boxes shall not have opened but unused knockouts nor any other openings and shall be so constructed as to exclude materials such as dust, flyings, oil, and coolant.

13.5.8 Motor connection boxes

Motor connection boxes shall enclose only connections to the motor and motor-mounted devices (for example brakes, temperature sensors, plugging switches, tachometer generators).

14 Electric motors and associated equipment

14.1 General requirements

<http://www.china-gauges.com/>

Electric motors should conform to the relevant parts of IEC 60034 series.

The protection requirements for motors and associated equipment are given in 7.2 for overcurrent protection, in 7.3 for protection of motors against overheating, and in 7.6 for overspeed protection.

As many controllers do not switch off the supply to a motor when it is at rest, care shall be taken to ensure compliance with the requirements of 5.3, 5.4, 5.5, 7.5, 7.6 and 9.4. Motor control equipment shall be located and mounted in accordance with Clause 11.

14.2 Motor enclosures

Enclosures for motors should be in accordance with IEC 60034-5.

The degree of protection shall be dependent on the application and the physical environment (see 4.4). All motors shall be adequately protected from mechanical damage.

14.3 Motor dimensions

As far as is practicable, the dimensions of motors shall conform to those given in the IEC 60072 series.

14.4 Motor mounting and compartments

Each motor and its associated couplings, belts, pulleys, or chains, shall be so mounted that they are adequately protected and are easily accessible for inspection, maintenance, adjustment and alignment, lubrication, and replacement. The motor mounting arrangement shall be such that all motor mounting means can be removed and all terminal boxes are accessible.

Motors shall be so mounted that proper cooling is ensured and the temperature rise remains within the limits of the insulation class (see IEC 60034-1).

Where practicable, motor compartments should be clean and dry, and when required, shall be ventilated directly to the exterior of the machine. The vents shall be such that ingress of swarf, dust, or water spray is at an acceptable level.

There shall be no opening between the motor compartment and any other compartment that does not meet the motor compartment requirements. Where a conduit or pipe is run into the motor compartment from another compartment not meeting the motor compartment requirements, any clearance around the conduit or pipe shall be sealed.

14.5 Criteria for motor selection

The characteristics of motors and associated equipment shall be selected in accordance with the anticipated service and physical environmental conditions (see 4.4). In this respect, the points that shall be considered include:

- type of motor;
- type of duty cycle (see IEC 60034-1);
- fixed speed or variable speed operation, (and the consequent variable influence of the ventilation);
- mechanical vibration;
- type of motor control;
- temperature rise and other effects of the frequency spectrum of the voltage and/or current feeding the motor (particularly when it is supplied from a converter <http://www.china-gauges.com/>);
- method of starting and the possible influence of the inrush current on the operation of other users of the same power supply, taking also into account possible special considerations stipulated by the supply authority;
- variation of counter-torque load with time and speed;
- influence of loads with large inertia;
- influence of constant torque or constant power operation;
- possible need of inductive reactors between motor and converter.

14.6 Protective devices for mechanical brakes

Operation of the overload and overcurrent protective devices for mechanical brake actuators shall initiate the simultaneous de-energization (release) of the associated machine actuators.

NOTE Associated machine actuators are those associated with the same motion, for example cable drums and long-travel drives.

15 Socket-outlets and lighting

15.1 Socket-outlets for accessories

Where the machine or its associated equipment is provided with socket-outlets that are intended to be used for accessory equipment (for example hand-held power tools, test equipment), the following apply:

- the socket-outlets should conform to IEC 60309-1. Where that is not practicable, they should be clearly marked with the voltage and current ratings;
- the continuity of the protective bonding circuit to the socket-outlet shall be ensured;
- all unearthed conductors connected to the socket-outlet shall be protected against overcurrent and, when required, against overload in accordance with 7.2 and 7.3 separately from the protection of other circuits;
- where the power supply to the socket-outlet is not disconnected by the supply disconnecting device for the machine or the section of the machine, the requirements of 5.3.5 apply;
- where fault protection is provided by automatic disconnection of supply, the disconnection time shall be in accordance with Table A.1 for TN systems or Table A.2 for TT systems;
- circuits supplying socket-outlets with a current rating not exceeding 20 A shall be provided with residual current protection (RCDs) with a rated operating current not exceeding 30 mA.

15.2 Local lighting of the machine and of the equipment

15.2.1 General

The ON/OFF switch shall not be incorporated in the lampholder or in the flexible connecting cord.

Stroboscopic effects from lights shall be avoided by the selection of appropriate luminaires.

Where fixed lighting is provided in an enclosure, electromagnetic compatibility should be taken into account using the principles outlined in 4.4.2.

15.2.2 Supply

The nominal voltage of the local lighting circuit shall not exceed 250 V between conductors. A voltage not exceeding 50 V between conductors is recommended. <http://www.china-gauges.com/>

Lighting circuits shall be supplied from one of the following sources (see also 7.2.6):

- a dedicated isolating transformer connected to the load side of the supply disconnecting device. Overcurrent protection shall be provided in the secondary circuit;
- a dedicated isolating transformer connected to the line side of the supply disconnecting device. That source shall be permitted for maintenance lighting circuits in control enclosures only. Overcurrent protection shall be provided in the secondary circuit (see also 5.3.5);
- a circuit of the electrical equipment of the machine for lighting, with dedicated overcurrent protection;
- an isolating transformer connected to the line side of the supply disconnecting device, provided with a dedicated primary disconnecting means (see 5.3.5) and secondary overcurrent protection, and mounted within the control enclosure adjacent to the supply disconnecting device;
- an externally supplied lighting circuit (for example factory lighting supply). This shall be permitted in control enclosures only, and for the machine work light(s) where their total power rating is not more than 3 kW;

- power supply units, for DC supply to LED light sources, fitted with isolating transformers (for example, in accordance with IEC 61558-2-6).

Exception: where fixed lighting is out of reach of operators during normal operations, the provisions of 15.2.2 do not apply.

15.2.3 Protection

Local lighting circuits shall be protected in accordance with 7.2.6.

15.2.4 Fittings

Adjustable lighting fittings shall be suitable for the physical environment.

The lampholders shall be:

- in accordance with the relevant IEC standard;
- constructed with an insulating material protecting the lamp cap so as to prevent unintentional contact.

Reflectors shall be supported by a bracket and not by the lampholder.

Exception: where fixed lighting is out of reach of operators during normal operation, the provisions of 15.2.4 do not apply.

16 Marking, warning signs and reference designations

16.1 General

Warning signs, nameplates, markings, labels and identification plates shall be of sufficient durability to withstand the physical environment involved. \square The markings shall be sufficiently durable to remain legible for the foreseen lifetime of the machine. \square

16.2 Warning signs

16.2.1 Electric shock hazard

Enclosures that do not otherwise clearly show that they contain electrical equipment that can give rise to a risk of electric shock shall be marked with the graphical symbol ISO 7010-W012 (see Figure 18).

<http://www.china-gauges.com/>



Figure 18 – Symbol ISO 7010-W012

The warning sign shall be plainly visible on the enclosure door or cover.

The warning sign may be omitted (see also 6.2.2 b)) for:

- an enclosure equipped with a supply disconnecting device;
- an operator-machine interface or control station;
- a single device with its own enclosure (for example position sensor).

16.2.2 Hot surfaces hazard

Where the risk assessment shows the need to warn against the possibility of hazardous surface temperatures of the electrical equipment, the graphical symbol ISO 7010-W017 shall be used (see Figure 19).



Figure 19 – Symbol ISO 7010-W017

NOTE ISO 13732-1 gives guidance for the assessment of the risks of burns when humans might touch hot surfaces with their unprotected skin.

16.3 Functional identification

Control devices and visual indicators shall be clearly and durably marked with regard to their functions either on or adjacent to the item. It is recommended that such markings are made in accordance with IEC 60417 and ISO 7000.

16.4 Marking of enclosures of electrical equipment

The following information shall be legibly and durably marked in a way that is plainly visible after the equipment is installed on enclosures that receive incoming power supplies:

- name or trade mark of supplier;

 *Text deleted* 

- type designation or model, where applicable;
- serial number where applicable;
- main document number (see IEC 62023) where applicable;
- rated voltage, number of phases and frequency (if AC), and full-load current for each incoming supply.

It is recommended that this information is provided adjacent to the main incoming supply (see <http://www.china-gauges.com/>).

16.5 Reference designations

All enclosures, assemblies, control devices, and components shall be plainly identified with the same reference designation as shown in the technical documentation.

17 Technical documentation

17.1 General

The information necessary for identification, transport, installation, use, maintenance, decommissioning and disposal of the electrical equipment shall be supplied.

NOTE 1 Documentation is sometimes supplied in paper form, since it cannot be assumed that the user has access to the means of reading instructions supplied in electronic form or made available on an Internet site. However, it is often useful for the documentation to be made available in electronic form and on the Internet as well as in paper form, since this enables the user to download the electronic file if he so wishes and to recover the documentation if the paper copy has been lost. This practice also facilitates the updating of the documentation when this is necessary.

NOTE 2 In some countries, the requirement to use specific language(s) is covered by legal requirements.

Annex I should be considered as guidance for the preparation of information and documents.

17.2 Information related to the electrical equipment

The following shall be supplied:

- a) where more than one document is provided, a main document for the electrical equipment as a whole, listing the complementary documents associated with the electrical equipment;
- b) identification of the electrical equipment (see 16.4);
- c) information on installation and mounting including:
 - a description of the electrical equipment's installation and mounting, and its connection to the electrical supplies and where relevant other supplies;
 - short-circuit current rating of the electrical equipment for each incoming power supply;
 - rated voltage, number of phases and frequency (if AC.), type of distribution system (TT, TN, IT) and full-load current for each incoming supply;
 - any additional electrical supply(ies) requirements (for example maximum supply source impedance, leakage current) for each incoming supply;
 - space required for the removal or servicing of the electrical equipment;
 - installation requirements where needed to ensure that the arrangements for cooling are not impaired;
 - environmental limitations (for example lighting, vibration, EMC environment, atmospheric contaminants) where appropriate;
 - functional limitations (for example peak starting currents and permitted voltage drop(s)) as applicable;
 - precautions to be taken for the installation of the electrical equipment relevant to the electromagnetic compatibility;
- d) an instruction for the connection of simultaneously accessible extraneous-conductive-parts in the vicinity of the machine (for example, within 2,5 metres) such as the following to the protective bonding circuit:
 - metallic pipes;
 - fences;
 - ladders;
 - handrails.
- e) information on the functioning and operation, including as applicable:
 - an overview of the structure of the electrical equipment (for example by structure diagram or overview diagram);
 - procedures for programming or configuring, as necessary for the intended use;
 - procedures for restarting after an unexpected stop;
 - a sequence of operation;
- f) information on maintenance of the electrical equipment, as appropriate, including:
 - frequency and method of functional testing;
 - instructions on the procedures for safe maintenance and where it is necessary to suspend a safety function and/or protective measure (see 9.3.6);
 - guidance on the adjustment, repair, and frequency and method of preventive maintenance;

<http://www.china-gauges.com/>

- details of the interconnections of the electrical components subject to replacement (for example by circuit diagrams and/or connection tables);
 - information on required special devices or tools;
 - information on spare parts;
 - information on possible residual risks, indication of whether any particular training is required and specification of any necessary personal protective equipment;
 - where applicable, instructions to restrict availability of key(s) or tool(s) to skilled or instructed persons only;
 - settings (DIP-switches, programmable parameter values, etc);
 - information for validation of safety related control functions after repair or modification, and for periodic testing where necessary;
- g) information on handling, transportation and storage as appropriate (for example dimensions, weight, environmental conditions, possible ageing constraints);
- h) information for proper disassembly and handling of components (for example for recycling or disposal).



18 Verification

18.1 General

The extent of verification will be given in the dedicated product standard for a particular machine. Where there is no dedicated product standard for the machine, the verifications shall always include the items a), b), c) and h) and may include one or more of the items d) to g):

- a) verification that the electrical equipment complies with its technical documentation;
- b) verification of continuity of the protective bonding circuit (Test 1 of 18.2.2);
- c) in case of fault protection by automatic disconnection of supply, conditions for protection by automatic disconnection shall be verified according to 18.2;
- d) insulation resistance test (see 18.3);
- e) voltage test (see 18.4);
- f) protection against residual voltage (see 18.5);
- g) verification that the relevant requirements of 8.2.6 are met;
- h) functional tests (see 18.6).

<http://www.china-gauges.com/>

When these tests are performed, it is recommended that they follow the sequence listed above.  Where the sequence cannot be followed verification a) and b) shall be conducted first. 

When the electrical equipment is modified, the requirements stated in 18.7 shall apply.

For verifications that include measurement, measuring equipment in accordance with the IEC 61557 series is recommended.

The results of the verification shall be documented.

18.2 Verification of conditions for protection by automatic disconnection of supply

18.2.1 General

The conditions for automatic disconnection of supply (see 6.3.3) shall be verified by tests.

Test 1 verifies the continuity of the protective bonding circuit.

Test 2 verifies the conditions for protection by automatic disconnection of the supply in TN systems.

For TN-systems, those test methods are described in 18.2.2 and 18.2.3; their application for different conditions of supply are specified in 18.2.4.

For TT systems, see Clause A.2.

For IT systems, see IEC 60364-6.

Where RCDs are used in the electrical equipment, their function shall be verified in accordance with the manufacturer's instructions. The test procedure and test interval shall be specified in the maintenance instructions.

18.2.2 Test 1 – Verification of the continuity of the protective bonding circuit

The resistance between the PE terminal (see 5.2 and Figure 4) and relevant points that are part of the protective bonding circuit shall be measured with a current between at least 0,2 A and approximately 10 A derived from an electrically separated supply source (for example SELV, see 414 of IEC 60364-4-41:2005) having a maximum no-load voltage of 24 V AC or DC.

The resistance measured shall be in the expected range according to the length, the cross sectional area and the material of the related protective conductors and protective bonding conductor(s).

Earthed PELV supplies can produce misleading results in this test and therefore shall not be used.

NOTE Larger currents used for the continuity test increases the accuracy of the test result, especially with low resistance values, i.e. larger cross sectional areas and/or lower conductor lengths.

18.2.3 Test 2 – Fault loop impedance verification and suitability of the associated overcurrent protective device

The connections of each power supply including the connection of the associated protective conductor to the PE terminal of the machine, shall be verified by inspection.

The conditions for the protection by automatic disconnection of supply in accordance with 6.3.3 and Annex A shall be verified by both: <http://www.china-gauges.com/>

- a) verification of the fault loop impedance by:
 - calculation, or
 - measurement in accordance with A.1.4, and
- b) confirmation that the setting and characteristics of the associated overcurrent protective device are in accordance with the requirements of Annex A, and where a power drive system (PDS) is used, confirmation that the setting and characteristics of the protective device(s) associated with a PDS are in accordance with the converter manufacturer's and protective device manufacturer's instructions.

18.2.4 Application of the test methods for TN-systems

When Test 2 of 18.2.3 is carried out by measurement, it shall always be preceded by Test 1 of 18.2.2.

NOTE A discontinuity of the protective bonding circuit can cause a hazardous situation for the tester or other persons, or damage to the electrical equipment during the loop impedance test.

The tests that are necessary for machines of different status are specified in Table 9.

Table 9 – Application of the test methods for TN-systems

Procedure	Machine status	Verification on site
A	Electrical equipment of machines, erected and connected on site, where the continuity of the protective bonding circuits has not been confirmed following erection and connection on site.	Test 1 (see 18.2.2) and test 2 (see 18.2.3) Exception: Test 2 is not required where: <ul style="list-style-type: none"> – test 1 is performed on the protective bonding conductors of the machine that are connected on site, and; – the connections of each incoming power supply and of the associated protective conductor (PE) to the PE-terminal of the machine, are verified by inspection, and previous calculations of the fault loop impedance (or resistance) by the manufacturer of the electrical equipment are available, and; – the arrangement of the installations permits the verification of the length and cross-sectional area of the conductors used for the calculation, and; – it can be confirmed through calculation or measurement, or by information supplied by the customer, that the supply source impedance on site does not exceed the value specified by the manufacturer of the electrical equipment. See 17.2 c), fourth bullet).
B	Machine supplied with confirmation of the verification (see 18.1) of continuity of the protective bonding circuits by test 1 or with the results of a test 2 by measurement, having protective bonding circuits exceeding the cable length for which examples are given in Table 10. Case B1) supplied fully assembled and not dismantled for shipment, Case B2) supplied dismantled for shipment, where the continuity of protective conductors is ensured after dismantling, transportation and reassembly (for example by the use of plug/socket connections).	Test 2 (see 18.2.3) Exception: Where it can be confirmed through calculation or measurement, or by information supplied by the customer, that the supply source impedance on site does not exceed the value specified by the manufacturer of the electrical equipment, or that of the test supply during a test 2 by measurement, no test is required on site apart from verification of the connections: <ul style="list-style-type: none"> • in case B1) of each incoming power supply and of the associated protective conductor to the PE terminal of the machine; • in case B2) of each incoming power supply and of the associated protective conductor to the PE terminal of the machine and of all connections of the protective conductor(s) that were disconnected for shipment.
C	Machine having protective bonding circuits not exceeding the cable length for which examples are given in Table 10, supplied with confirmation of the verification (see 18.1) of continuity of the protective bonding circuits by test 1. Case C1) supplied fully assembled and not dismantled for shipment. Case C2) supplied dismantled for shipment, where the continuity of protective conductors is ensured after dismantling, transportation and reassembly (for example by the use of plug/socket combination(s)).	For case C1 or C2, no test is required on site. For a machine not connected to the power supply by a plug/socket combination, the correct connection of the external protective conductor to the PE-terminal of the machine shall be verified by visual inspection. In case C2), the installation documents (see 17.2) shall require that all connections of the protective conductor(s) that were disconnected for shipment are verified, for example by visual inspection.

Table 10 – Examples of maximum cable lengths from protective devices to their loads for TN-systems

1	2	3	4	5	6	7	8	9
Maximum source impedance of the supply to the protective device	Minimum cross-sectional area	Maximum nominal rating or setting of the protective device I_N	Fuse disconnect time 5 s	Fuse disconnect time 0,4 s	Miniature circuit-breaker char.B $I_a = 5 \times I_N$	Miniature circuit-breaker char.C $I_a = 10 \times I_N$	Miniature circuit-breaker char.D $I_a = 20 \times I_N$	Adjustable circuit-breaker $I_a = 8 \times I_N$
mΩ	mm ²	A	Maximum cable length in m from each protective device to its load					
500	1,5	16	97	53	76	30	7	31
500	2,5	20	115	57	94	34	3	36
500	4,0	25	135	66	114	35		38
400	6,0	32	145	59	133	40		42
300	10	50	125	41	132	33		37
200	16	63	175	73	179	55		61
200	25 (line)/16 (PE)	80	133					38
100	35 (line)/16 (PE)	100	136					73
100	50 (line)/25 (PE)	125	141					66
100	70 (line)/35 (PE)	160	138					46
50	95 (line)/50 (PE)	200	152					98
50	120 (line)/70 (PE)	250	157					79
<p>The values of the maximum cable length in Table 10 are based on the following assumptions:</p> <ul style="list-style-type: none"> • PVC cable with copper conductors, conductor temperature under short-circuit conditions 160 °C (see Table D.5); • cables with line conductors up to 16 mm² provide a protective conductor of equal cross sectional area to that of the line conductors; • cables above 16 mm² provide a reduced size protective conductor as shown; • 3-phase system, nominal voltage of the power supply 400 V ($U_0 = 230$ V); • column 3 values are correlated with Table 6 (see 12.4). http://www.china-gauges.com/ • disconnection time for circuit-breakers is $\leq 0,4$ s (columns 6 – 9) <p>A deviation from these assumptions can require a complete calculation or measurement of the fault loop impedance. Further information is available from IEC 60228 and IEC TR 61200-53.</p>								

18.3 Insulation resistance tests

When insulation resistance tests are performed, the insulation resistance measured at 500 V DC between the power circuit conductors and the protective bonding circuit shall be not less than 1 MΩ. The test may be made on individual sections of the complete electrical installation.

Exception: for certain parts of electrical equipment, incorporating for example busbars, conductor wire or conductor bar systems or slip-ring assemblies, a lower minimum value is permitted, but that value shall not be less than 50 kΩ.

If the electrical equipment of the machine contains surge protection devices which are likely to operate during the test, it is permitted to either:

- disconnect these devices, or
- reduce the test voltage to a value lower than the voltage protection level of the surge protection devices, but not lower than the peak value of the upper limit of the supply (phase to neutral) voltage.

18.4 Voltage tests

Ⓒ When voltage tests are performed, tests and test equipment shall be in accordance with EN 61180. Ⓒ

The test voltage shall be at a nominal frequency of 50 Hz or 60 Hz.

The maximum test voltage shall have a value of twice the rated supply voltage of the equipment or 1 000 V, whichever is the greater. The maximum test voltage shall be applied between the power circuit conductors and the protective bonding circuit for at least 1 s. The requirements are satisfied if no disruptive discharge occurs.

Components and devices that are not rated to withstand the test voltage and surge protection devices which are likely to operate during the test shall be disconnected during testing.

Components and devices that have been voltage tested in accordance with their product standards may be disconnected during testing.

18.5 Protection against residual voltages

Where appropriate, tests shall be performed to ensure compliance with 6.2.4.

18.6 Functional tests

The functions of electrical equipment shall be tested.

18.7 Retesting

Where a portion of the machine or its associated equipment is changed or modified, the need for re-verification and testing of the electrical equipment shall be considered.

Particular attention should be given to the possible adverse effects that retesting can have on the equipment (for example overstressing of insulation, disconnection/reconnection of devices).

<http://www.china-gauges.com/>

Annex A (normative)

Fault protection by automatic disconnection of supply

A.1 Fault protection for machines supplied from TN-systems

A.1.1 General

The provisions in the Annex A are derived from IEC 60364-4-41:2005, and IEC 60364-6:2006.

Fault protection shall be provided by an overcurrent protective device that automatically disconnects the supply to the circuit or equipment in the event of a fault between a live part and an exposed conductive part or a protective conductor in the circuit or equipment, within a sufficiently short disconnecting time. A disconnecting time not exceeding 5 s is considered sufficiently short for machines that are neither hand-held nor portable.

Where this disconnecting time cannot be assured, supplementary protective bonding shall be provided in accordance with A.1.3 that can prevent a prospective touch voltage from exceeding 50 V AC or 120 V ripple-free DC between simultaneously accessible conductive parts.

NOTE The use of supplementary protective bonding does not preclude the need to disconnect the supply for other reasons, for example protection against fire, thermal stresses in equipment, etc.

For circuits which supply, through socket-outlets or directly without socket-outlets, Class 1 hand-held equipment or portable equipment (for example socket-outlets on a machine for accessory equipment, see 15.1) Table A.1 specifies the maximum disconnecting times that are considered sufficiently short.

Table A.1 – Maximum disconnecting times for TN systems

System	50 V < $U_0 \leq 120$ V		120 V < $U_0 \leq 230$ V		230 V < $U_0 \leq 400$ V		$U_0 > 400$ V	
	s		s		s		s	
	AC	DC	AC	DC	AC	DC	AC	DC
TN	0,8	NOTE 1	0,4	5	0,2	0,4	0,1	0,1

U_0 is the nominal AC or DC line to earth voltage.

<http://www.china-gauges.com/>

NOTE 1 Disconnection may be required for reasons other than protection against electric shock.

NOTE 2 For voltages which are within the tolerance band stated in IEC 60038, the disconnecting time appropriate to the nominal voltage applies.

NOTE 3 For intermediate values of voltage, the next higher value in the above table is to be used.

A.1.2 Conditions for protection by automatic disconnection of the supply by overcurrent protective devices

The characteristics of overcurrent protective devices and the circuit impedances shall be such that, if a fault of negligible impedance occurs anywhere in the electrical equipment between a line conductor and a protective conductor or exposed conductive part, automatic disconnection of the supply will occur within the specified time (i.e. ≤ 5 s or \leq values in accordance with Table A.1). The following general condition fulfils this requirement:

$$Z_s \times I_a \leq U_0$$

where

Z_s is the impedance of the fault loop comprising the source, the live conductor up to the point of the fault and the protective conductor between the point of the fault and the source;

I_a is the current causing the automatic operation of the disconnecting protective device within the specified time;

U_0 is the nominal AC voltage to earth.

The increase of the resistance of the conductors with the increase of temperature due to the fault current shall be taken into account in the following equation:

$$Z_{s(n)} \leq \frac{2}{3} \times \frac{U_0}{I_a}$$

where $Z_{s(n)}$ is the measured or calculated value of Z_s under normal operating conditions.

Where the value of the fault loop impedance exceeds $2U_0/3I_a$, a more precise assessment can be made in accordance with the procedure described in C.61.3.6.2 of IEC 60364-6:2006.

A.1.3 Condition for protection by reducing the touch voltage below 50 V

Where the requirements of A.1.2 cannot be assured, supplementary protective bonding can be selected as the means of ensuring that touch voltages will not exceed 50 V. This is achieved when the impedance of the protective bonding circuit (Z_{PE}) does not exceed:

$$Z_{PE} \leq \frac{50}{U_0} \times Z_s$$

where Z_{PE} is the impedance of the protective bonding circuit between the equipment anywhere in the installation and the PE terminal of the machine (see 5.2 and Figure 4) or between simultaneously accessible exposed conductive parts and/or extraneous-conductive-parts.

Confirmation of this condition can be achieved by using the method of Test 1 of 18.2.2 to measure the resistance R_{PE} . The condition for protection is achieved when the measured value of R_{PE} does not exceed:

<http://www.china-gauges.com/>

$$R_{PE} \leq \frac{50}{I_{a(5s)}}$$

where

$I_{a(5s)}$ is the 5 s operating current of the protective device;

R_{PE} is the resistance of the protective bonding circuit between the PE terminal (see 5.2 and Figure 4) and the equipment anywhere on the machine, or between simultaneously accessible exposed conductive parts and/or extraneous-conductive-parts.

NOTE 1 Supplementary protective bonding is considered as an addition to fault protection.

NOTE 2 Supplementary protective bonding may involve the entire installation, a part of the installation, an item of apparatus, or a location.

A.1.4 Verification of conditions for protection by automatic disconnection of the supply

A.1.4.1 General

The effectiveness of the measures for fault protection by automatic disconnection of supply in accordance with A.1.2 is verified as follows:

- verification of the characteristics of the associated protective device by visual inspection of the nominal current setting for circuit-breakers and the current rating for fuses, and;
- measurement of the fault loop impedance (Z_s). See Figure A.1.

Exception: Verification of the continuity of the protective conductors may replace the measurement where the calculations of the fault loop impedance are available and when the arrangement of the installations permits the verification of the length and cross-sectional area of the conductors.

Where a power drive system (PDS) is used, the disconnection time for fault protection shall meet the relevant requirements of this Annex A at the incoming supply terminals of the basic drive module (BDM) of the PDS. See Figure A.2.

A.1.4.2 Measurement of the fault loop impedance

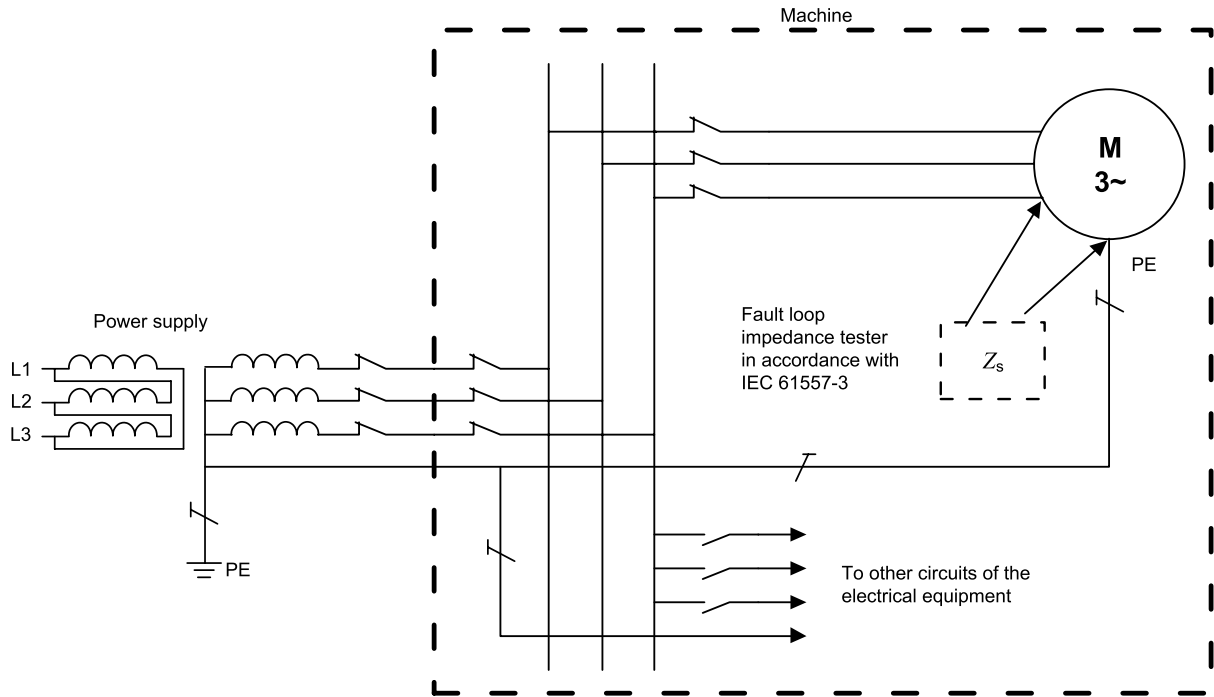
Where measurement of the fault loop impedance is performed, it is recommended that the measuring equipment comply with IEC 61557-3. The information about the accuracy of the measuring results, and the procedures to be followed given in the documentation of the measuring equipment shall be considered.

Measurement shall be performed when the machine is connected to a supply having the same frequency as the nominal frequency of the supply at the intended installation.

NOTE Figure A.1 illustrates a typical arrangement for measuring the fault loop impedance on a machine.

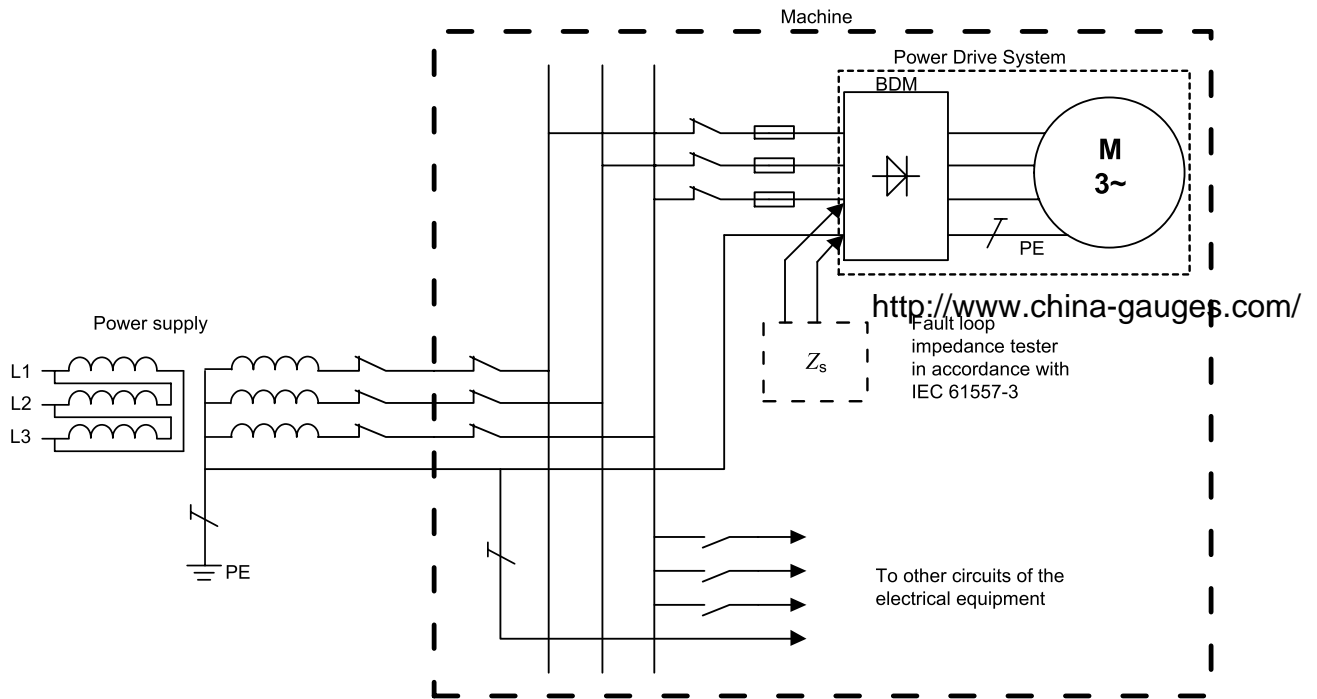
If it is not practicable for the motor to be connected during the test, the two line conductors not used in the test may be opened, for example, by removing fuses.

The measured value of the fault loop impedance shall be in accordance with A.1.2.



IEC

Figure A.1 – Typical arrangement for fault loop impedance (Z_s) measurement in TN systems



IEC

Figure A.2 – Typical arrangement for fault loop impedance (Z_s) measurement for power drive system circuits in TN systems

A.2 Fault protection for machines supplied from TT-systems

A.2.1 Connection to earth

All exposed-conductive-parts and all extraneous-conductive-parts shall be bonded to the protective bonding circuit.

Exception: see 8.2.5.

In addition to the requirements of 5.2, provision for additional earthing of machine elements and/or the PE conductor of the electrical equipment may be provided.

NOTE In a TT system, the neutral point or the mid-point of the power supply system is earthed, or where a neutral point or mid-point is not available or not accessible, a line conductor is earthed (derived from IEC 60364-4-41:2005, 411.5.1).

A.2.2 Fault protection for TT systems

A.2.2.1 General

Generally in TT systems, RCDs shall be used for fault protection. Alternatively, overcurrent protective devices may be used for fault protection provided a suitably low value of Z_s is permanently and reliably assured. Z_s is the impedance of the fault loop.

NOTE In some countries the use of overcurrent protective devices is not permitted as the means of fault protection in TT systems.

Where automatic disconnection of supply is used as a measure for fault protection, the electrical equipment designer may either:

- a) use in the design calculations a value of earth electrode resistance or earth fault loop impedance measured in accordance with IEC 60364-6 or declared by the intended user of the equipment (see Annex B); or
- b) for series-manufactured machines, specify a value of the earth electrode resistance or earth fault loop impedance suitable for the intended installations;

and shall state in the installation instructions the value of earth electrode resistance or earth fault loop impedance used for the design of the electrical equipment, specifying that this is the maximum value to which the machine can be connected.

Where a power drive system (PDS) is used, the disconnection time for fault protection shall meet the relevant requirements of this Annex A at the incoming supply terminals of the base drive module (BDM) of the PDS. See Figure A.4.

A.2.2.2 Protection by residual current protective device (RCD)

Where a residual current protective device (RCD) is used for fault protection, the following conditions shall be fulfilled:

- a) disconnection time as required by Table A.2, and
- b) $R_A \times I_{\Delta n} \leq 50 \text{ V}$

where:

R_A is the sum of the resistances of the earth electrode and the protective conductor for each exposed conductive-part,

$I_{\Delta n}$ is the rated residual operating current of the RCD.

Exception: a disconnection time not exceeding 1 s is permitted for distribution circuits and for circuits not covered by Table A.2.

NOTE 1 Fault protection is provided in this case also if the fault impedance is not negligible.

NOTE 2 Where discrimination between RCDs is necessary, information is given in 535.3 of IEC 60364-5-53:2001.

NOTE 3 The disconnection times in accordance with Table A.2 relate to prospective residual fault currents significantly higher than the rated residual operating current of the RCD (typically $5 I_{\Delta n}$).

NOTE 4 The definition of R_A is extracted from IEC 60364-4-41. In this part of IEC 60204, the term “earth electrode” in the definition of R_A is considered to mean the “earth-return path” as defined by IEC 60050-195:1998, 195-02-30.

A.2.2.3 Protection by overcurrent protective devices

Where an overcurrent protective device is used the following condition shall be fulfilled:

$$Z_s \times I_a \leq U_o$$

where:

Z_s is the impedance of the fault loop comprising:

- the source,
- the line conductor up to the point of the fault,
- the protective conductor of each exposed-conductive-part,
- the earthing conductor,
- the earth electrode of the installation and the earth electrode of the source;

I_a is the current causing the automatic operation of the disconnecting device within the time specified in Table A.2.

Exception: a disconnection time not exceeding 1 s is permitted for circuits not covered by Table A.2.

U_o is the nominal AC or DC line to earth voltage.

The maximum disconnection times stated in Table A.2 shall be applied to circuits not exceeding 32 A. Maximum disconnection times shall not exceed 1 s for circuits 32 A or greater.

Table A.2 – Maximum disconnecting time for TT-systems

System	50 V < $U_o \leq 120$ V		120 V < $U_o \leq 230$ V		230 V < $U_o \leq 400$ V		$U_o > 400$ V	
	s		s		s		s	
	AC	DC	AC	DC	AC	DC	AC	DC
TT	0,3	NOTE	0,2	0,4	0,07	0,2	0,04	0,1
Where in TT systems the disconnection is achieved by an overcurrent protective device and all extraneous-conductive-parts will be connected to the protective bonding circuit, the maximum disconnection times specified in Table A.1 may be used.								
U_o is the nominal AC or DC line to earth voltage.								
NOTE Disconnection can be required for reasons other than protection against electric shock.								

A.2.3 Verification of protection by automatic disconnection of supply using a residual current protective device

Fault protection in a TT system by automatic disconnection of supply using a residual current protective device shall be verified by the following:

- inspection of the rated residual current for tripping value, and the disconnecting time value of the residual current protective device, and

- verification that the residual current protective device has been tested in accordance with a relevant IEC standard, and
- inspection of the connections to the residual current protective device and protective bonding circuit.

A.2.4 Measurement of the fault loop impedance (Z_s)

Where measurement of the fault loop impedance is performed the measuring equipment should comply with IEC 61557-3. The information about the accuracy of the measuring results, and the procedures to be followed given in the documentation of the measuring equipment shall be considered.

The measurement shall be performed with the electrical equipment connected to a supply of between 99 % and 101 % the nominal frequency of the supply at the intended installation.

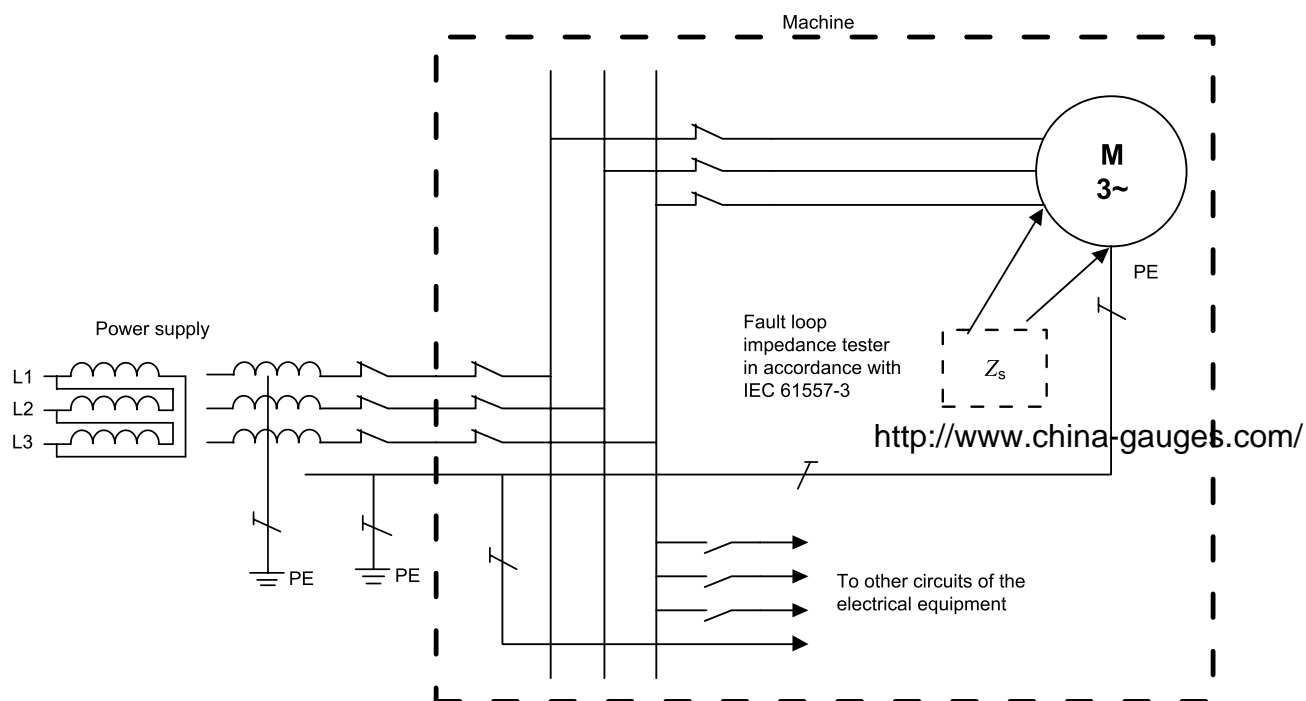
NOTE 1 Figure A.3 illustrates a typical arrangement for measuring the fault loop impedance on a machine.

If it is not practicable for the motor to be connected during the test, the two line conductors not used in the test may be opened, for example, by removing fuses.

NOTE 2 Figure A.4 illustrates a typical arrangement for measuring the fault loop impedance when a power drive system is used.

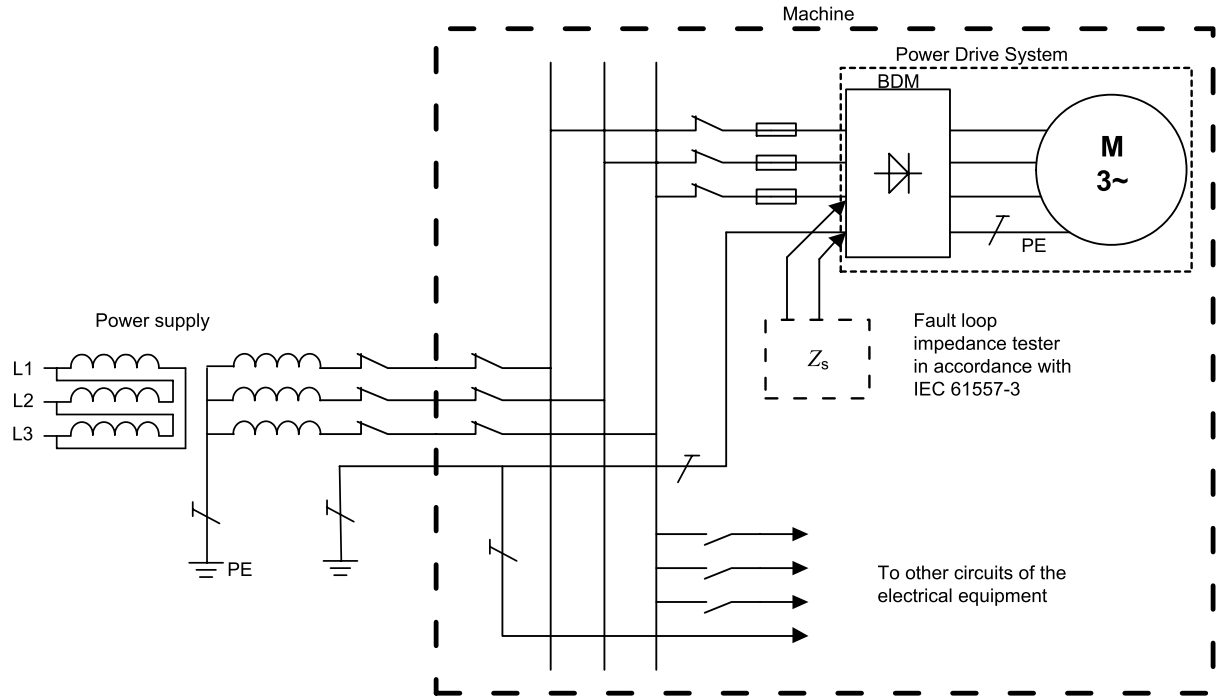
The measured value of the fault loop impedance shall be in accordance with A.2.2.3.

NOTE 3 Information on the verification of performance of a residual current protective device and measurement of earth fault loop impedance can be found in IEC 60364-6.



IEC

Figure A.3 – Typical arrangement for fault loop impedance (Z_s) measurement in TT systems



IEC

Figure A.4 – Typical arrangement for fault loop impedance (Z_s) measurement for power drive system circuits in TT systems

Annex B (informative)

Enquiry form for the electrical equipment of machines

The use of this enquiry form can facilitate an exchange of information between the user and supplier on basic conditions and additional user requirements to enable suitable design, application and utilization of the electrical equipment of the machine (see 4.1) particularly when the conditions on site can deviate from those generally expected.

Annex B can also serve as an internal checklist for serial manufactured machines.

Name of manufacturer/supplier			
Name of end user			
Tender/order number		Date	
Type of machine	Type designation	Serial number	
1. Special conditions (see Clause 1)			
a) Is the machine to be used in the open air?	Yes/No	If yes, specification	
b) Will the machine use, process or produce explosive or flammable material?	Yes/No	If yes, specification	
c) Is the machine for use in potentially explosive or flammable atmospheres?	Yes/No	If yes, specification	
d) Can the machine present special hazards when producing or consuming certain materials?	Yes/No	If yes, specification	
e) Is the machine for use in mines?	Yes/No	If yes, specification	
2. Electrical supplies and related conditions (see 4.3)			
a) Anticipated voltage fluctuations (if more than $\pm 10\%$)			
b) Anticipated frequency fluctuations (if more than $\pm 2\%$)	Continuous	Short time	
c) Indicate possible future changes in electrical equipment that will require an increase in the electrical supply requirements			
d) Specify voltage interruptions in supply if longer than specified in Clause 4 where electrical equipment has to maintain operation under such conditions	http://www.china-gauges.com/		
3. Physical environment and operating conditions (see 4.4)			
a) Electromagnetic environment (see 4.4.2)	Residential, commercial or light industrial environment	Industrial environment	
Special EMC conditions or requirements			
b) Ambient temperature range			
c) Humidity range			
d) Altitude			
e) Special environmental conditions (for example corrosive atmospheres, dust, wet environments)			
f) Radiation			
g) Vibration, shock			

h)	Special installation and operation requirements (for example flame-retardant cables and conductors)			
i)	Transportation and storage (for example, temperatures outside the range specified in 4.5)			
k)	restrictions related to size, weight or point load			
4. Incoming electrical supplies				
Specify for each source of supply:				
a)	Nominal voltage (V)	AC		DC
		If AC, number of phases		Frequency (Hz)
	Value of the supply source impedance (Ω) at the point of connection to the electrical equipment			
	Prospective short-circuit current (kA r.m.s.) at the point of connection to the electrical equipment (see also item 2)			
b)	Type of distribution system (see IEC 60364-1)	TN (system with one point directly earthed, with a protective conductor (PE) directly connected to that point); specify if the earthed point is the neutral point (centre of the star) or another point		TT (system with one point directly earthed but the protective conductor (PE) of the machine not connected to that earth point of the system)
		IT (system that is not directly earthed)		
	In the case of IT systems, is insulation monitoring/fault location to be provided by the supplier of the electrical equipment?	Yes		No
c)	Is the electrical equipment to be connected to a neutral (N) supply conductor? (See 5.1)	Yes		No
	Maximum current (A) allowed			
d)	Supply disconnecting device			
	Is disconnection of the neutral (N) conductor required?	Yes		No
	Is a removable link for disconnecting the neutral (N) required?	Yes		No
	Type of supply disconnecting device to be provided			
e)	Cross sectional area and material of external protective (PE) conductor			
f)	Is an RCD provided in the installation?	Yes/No		If yes, type and rated residual operating current
5. Protection against electric shock (see Clause 6)				
a)	For which of the following classes of persons is access to the interior of enclosures required during normal operation of the equipment?	Electrically skilled persons		Electrically instructed persons
b)	Are locks with removable keys to be provided for securing the doors? (see 6.2.2)	Yes		No
	Type of locking device			
	Basic lock unit (except key cylinder) to be supplied and installed by			
	Key cylinder to be supplied and installed by			

6. Protection of equipment (see Clause 7)				
a) Will the user or the supplier of the electrical equipment provide supply conductors and the overcurrent protection for the supply conductors? (see 7.2.2)				
Type and rating of overcurrent protective devices				
b) Largest (kW) three-phase AC motor that may be started direct-on-line				
c) May the number of motor overload detection devices be reduced? (see 7.3.2)	Yes		No	
d) Is overvoltage protection to be provided?	Yes/No		If yes, specification	
7. Operation				
For cableless control systems, specify the time delay before automatic machine shutdown is initiated in the absence of a valid signal.				
8. Operator interface and machine-mounted control devices (see Clause 10)				
Special colour preferences (for example to align with existing machinery):	Start		Stop	
	Other			
9. Controlgear				
Degree of protection of enclosures (see 11.3) or special conditions:				
10. Wiring practices (see Clause 13)				
Is there a specific method of identification to be used for the conductors? (see 13.2.1)	Yes		No	
Type				
11. Accessories and lighting (see Clause 15)				
a) Is a particular type of socket-outlet required?	Yes		No	
If yes, which type?				
b) Where the machine is equipped with local lighting:	Highest permissible voltage (V)		If lighting circuit voltage is not obtained directly from the power supply, state preferred voltage	
12. Marking, warnings and reference designations (see Clause 16)				
a) Functional identification (see 16.3)				
Specifications:				
b) Inscriptions/special markings	On electrical equipment?		In which language?	
c) Specific local regulations that must be complied with	Yes		No	
If yes, which one?				
13. Technical documentation (see Clause 17)				
a) Technical documentation (see 17.1)	On what media/		In which language?	
	File format?			
b) Instructions for use (see 17.1)	On what media?		In which language?	
	File format?			

c) Size, location and purpose of ducts, open cable trays or cable supports to be provided by the user				
d) Indicate if special limitations on the size or weight affect the transport of a particular machine or controlgear assemblies to the installation site:	Maximum dimensions		Maximum weight	
e) In the case of specially built machines, is a certificate of operating tests with the loaded machine to be supplied?	Yes		No	
f) In the case of other machines, is a certificate of operating type tests on a loaded prototype machine to be supplied?	Yes		No	

Annex C (informative)

Examples of machines covered by this part of IEC 60204

The following list shows examples of machines whose electrical equipment should conform to this part of IEC 60204. The list is not intended to be exhaustive but is consistent with the definition of machinery (3.1.40). This part of IEC 60204 need not be applied to machines that are household and similar domestic appliances within the scope of the IEC 60335 series of standards.

Metalworking machinery

- metal cutting machines
- metal forming machines

Plastics and rubber machinery

- injection moulding machines
- extrusion machines
- blow moulding machines
- thermoset moulding machines
- size reduction machines

Wood machinery

- woodworking machines
- laminating machines
- sawmill machines

Assembly machines

Material handling machines

- robots
- conveyors
- transfer machines
- storage and retrieval machines

Textile machines

Refrigeration and air-conditioning machines

Food machinery

- dough breaks
- mixing machines
- pie and tart machines
- meat processing machines

Printing, paper and board machinery

- printing machines
- finishing machines, guillotines, folders
- reeling and slitting machines
- folder box gluing machines
- paper and board making machines

Inspecting/testing machinery

- co-ordinate measuring machines
- in-process gauging machines

Compressors

Packaging machinery

- palletizers/depalletizers
- wrapping and shrink-wrapping machines

<http://www.china-gauges.com/>

Laundry machines

Heating and ventilating machines

Leather/imitation leather goods and footwear machinery	Construction and building materials machinery
<ul style="list-style-type: none"> • cutting and punching machines • roughing, scouring, buffing, trimming and brushing machines • footwear moulding machines • lasting machines 	<ul style="list-style-type: none"> • tunnelling machines • concrete batching machines • brick-making machines • stone, ceramic and glass-making machines
Hoisting machinery (see IEC 60204-32)	Transportable machinery
<ul style="list-style-type: none"> • cranes • hoists 	<ul style="list-style-type: none"> • wood working machines • metal working machines
Machinery for transportation of persons	Mobile machinery
<ul style="list-style-type: none"> • escalators • ropeways for transportation of persons, for example chairlifts, ski lifts • passenger lifts 	<ul style="list-style-type: none"> • lifting platforms • fork lift trucks • construction machines
Power-operated doors	Machines for hot metal processing
Leisure machinery	Tanning machinery
<ul style="list-style-type: none"> • fairground and amusement rides 	<ul style="list-style-type: none"> • multi-roller machines • bandknife machines • hydraulic tanning machines
Pumps	Mining and quarrying machines
Agriculture and forestry machines	

Annex D (informative)

Current-carrying capacity and overcurrent protection of conductors and cables in the electrical equipment of machines

D.1 General

The purpose of this Annex A is to provide additional information on the selection of conductor sizes where the conditions given for Table 6 (see Clause 12) have to be modified (see notes to Table 6).

D.2 General operating conditions

D.2.1 Ambient air temperature

The current carrying capacity for PVC insulated conductors given in Table 6 is related to an ambient air temperature of +40 °C. For other ambient air temperatures, the correction factors are given in Table D.1.

The correction factors for rubber insulated cables are given by the manufacturer.

Table D.1 – Correction factors

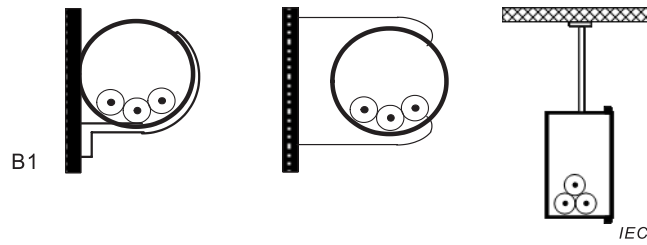
Ambient air temperature °C	Correction factor
40	1,00
45	0,91
50	0,82
55	0,71
60	0,58
NOTE The correction factors are derived from IEC 60364-5-52. The maximum temperature under normal conditions for PVC 70 °C.	

<http://www.china-gauges.com/>

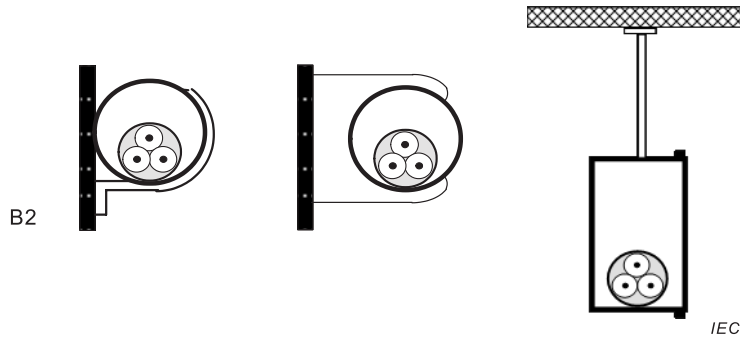
D.2.2 Methods of installation

In machines, the methods of conductor and cable installation between enclosures and individual items of the equipment shown in Figure D.1 are assumed to be typical (the letters used are in accordance with IEC 60364-5-52):

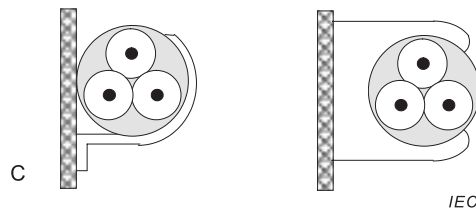
- Method B1: using conduits (3.1.9) and cable trunking systems (3.1.6) for holding and protecting conductors or single core cables;
- Method B2: same as B1 but used for multicore cables;
- Method C: multicore cables installed in free air, horizontal or vertical without gap between cables on walls;
- Method E: multicore cables in free air, horizontal or vertical laid on open cable trays (3.1.5).



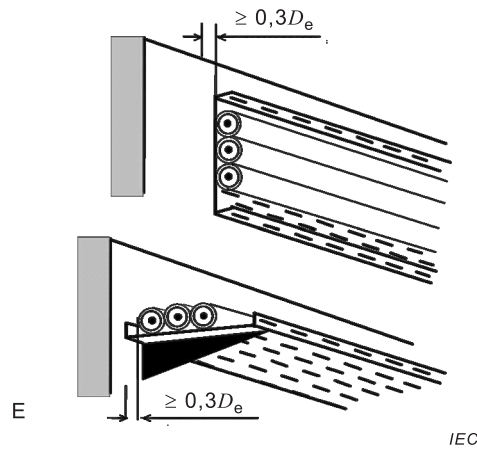
a) Conductors/single core cables in conduit and cable trunking systems



b) Cables in conduit and cable trunking systems



c) Cables on walls



d) Cables on open cable trays

<http://www.china-gauges.com/>

Figure D.1 – Methods of conductor and cable installation independent of number of conductors/cables

D.2.3 Grouping

Where more loaded conductors in cables or conductor pairs are installed, derate the values of I_z , given in Table 6 or by the manufacturer in accordance with Tables D.2 or D.3.

NOTE Circuits with $I_b < 30\%$ of I_z need not be derated.

Table D.2 – Derating factors for I_z for grouping

Methods of installation (see Figure D.1) (see Note 3)	Number of loaded circuits/cables			
	2	4	6	9
B1 (conductors or single core cables) and B2 (multicore cables)	0,80	0,65	0,57	0,50
C single layer with no gap between cables	0,85	0,75	0,72	0,70
E single layer on one perforated tray without gap between cables	0,88	0,77	0,73	0,72
E as before but with 2 to 3 trays, with a vertical spacing between each tray of 300 mm (see Note 4)	0,86	0,76	0,71	0,66
Control circuit pairs $\leq 0,5\text{mm}^2$ independent of methods of installation	0,76	0,57	0,48	0,40

NOTE 1 These factors are applicable to

- cables, all equally loaded, the circuit itself symmetrically loaded;
- groups of circuits of insulated conductors or cables having the same allowable maximum operating temperature.

NOTE 2 The same factors are applied to

- groups of two or three single-core cables;
- multicore cables.

NOTE 3 Factors derived from IEC 60364-5-52:2009.

NOTE 4 A perforated cable tray is a tray where the holes occupy more than 30 % of the area of the base. (Derived from IEC 60364-5-52:2009).

Table D.3 – Derating factors for I_z for multicore cables up to 10 mm^2

Number of loaded conductors or pairs	Conductors ($\geq 1\text{ mm}^2$) (see Note 3)	Pairs ($0,25\text{ mm}^2$ to $0,75\text{ mm}^2$)
1	–	1,0
3	1,0	0,8
5	0,75	0,39
7	0,65	0,34
10	0,55	0,29
24	0,40	0,21

NOTE 1 Applicable to multicore cables with equally loaded conductors/pairs.

NOTE 2 For grouping of multicore cables, see derating factors of Table D.2.

NOTE 3 Factors derived from IEC 60364-5-52:2009.

<http://www.china-gauges.com/>

D.2.4 Classification of conductors

Table D.4 – Classification of conductors

Class	Description	Use/application
1	Solid copper or aluminium conductors	Fixed installations
2	Stranded copper or aluminium conductors	
5	Flexible stranded copper conductors	Machine installations with presence of vibration; connection to moving parts For frequent movements
6	Flexible stranded copper conductors conductors that are more flexible than class 5	

NOTE Derived from IEC 60228.

D.3 Co-ordination between conductors and protective devices providing overload protection

Figure D.2 illustrates the relationship between the parameters of conductors and the parameters of protective devices providing overload protection.

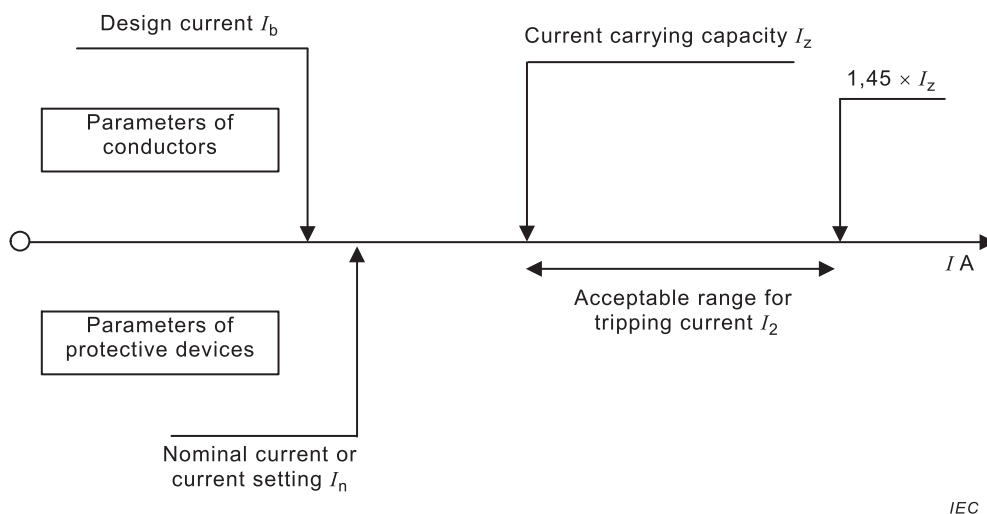


Figure D.2 – Parameters of conductors and protective devices
<http://www.china-gauges.com/>

Correct protection of a cable requires that the operating characteristics of a protective device (for example overcurrent protective device, motor overload protective device) protecting the cable against overload satisfy the two following conditions:

$$I_b \leq I_n \leq I_z$$

$$I_2 \leq 1,45 \times I_z$$

where

I_b is the current for which the circuit is designed;

I_z is the effective current-carrying capacity, in amperes, of the cable for continuous service according to Table 6 for the particular installation conditions:

- temperature, derating of I_z see Table D.1;
- grouping, derating of I_z see Table D.2;
- multicore cables, derating of I_z see Table D.3.

I_n is the nominal current of the protective device;

NOTE 1 For adjustable protective devices, the nominal current I_n is the current setting selected.

I_2 is the minimum current ensuring effective operation of the protective device within a specified time (for example 1 h for protective devices up to 63 A).

The current I_2 ensuring effective operation of the protective device is given in the product standard or may be provided by the manufacturer.

NOTE 2 For motor circuit conductors, overload protection for conductor(s) can be provided by the overload protection for the motor(s) whereas the short-circuit protection is provided by short-circuit protective devices.

Where a device that provides both overload and short-circuit protection is used in accordance with Clause D.3 for conductor overload protection, it does not ensure complete protection in all cases (for example overload with currents less than I_2), nor will it necessarily result in an economical solution. Therefore, such a device can be unsuitable where overloads with currents less than I_2 are likely to occur.

D.4 Overcurrent protection of conductors

All conductors are required to be protected against overcurrent (see 7.2) by protective devices inserted in all live conductors so that any short-circuit current flowing in the cable is interrupted before the conductor has reached the maximum allowable temperature.

NOTE Information on neutral conductors can be found in 7.2.3, third paragraph.

Table D.5 – Maximum allowable conductor temperatures under normal and short-circuit conditions

Type of insulation	Maximum temperature under normal conditions °C	Ultimate short-time conductor temperature under short-circuit conditions ^{a)} °C
Polyvinyl chloride (PVC)	70	160
Rubber	60	200
Cross-linked polyethylene (XLPE)	90	250
Ethylene propylene compound (EPR)	90	250
Silicone rubber (SiR)	180	350

NOTE For ultimate short-time conductor temperatures greater than 200 °C, neither tinned nor bare copper conductors are suitable. Silver-plated or nickel-plated copper conductors are suitable for use at 200 °C.

^{a)} These values are based on the assumption of adiabatic behaviour for a period of not more than 5 s.

In practice, the requirements of 7.2 are fulfilled when the protective device at a current I causes the interruption of the circuit within a time that in no case exceeds the time t where $t < 5$ s.

The value of the time t in seconds can be calculated using the following formula:

$$t = (k \times S/I)^2$$

where:

S is the cross-sectional area in square millimetres;

I is the effective short-circuit current in amperes expressed for AC as the r.m.s. value;

k is the factor shown for copper conductors when insulated with the following material:

PVC 115

Rubber	141
SiR	132
XLPE	143
EPR	143

D.5 Effect of harmonic currents on balanced three-phase systems

In case of circuits feeding single phase loads with load current including harmonics, the neutral conductor of the circuit might be additionally loaded and a reduction of the current carrying capacity of that cable might be necessary. For reference see IEC 60364-5-52:2009, Annex E.

Annex E (informative)

Explanation of emergency operation functions

NOTE The concepts below are included here to give the reader an understanding of these terms even though in this part of IEC 60204 only two of them are used.

- **Emergency operation**

Emergency operation includes separately or in combination:

- emergency stop;
- emergency start;
- emergency switching off;
- emergency switching on.

- **Emergency stop**

An emergency operation intended to stop a process or a movement that has become hazardous.

- **Emergency start**

An emergency operation intended to start a process or a movement to remove or to avoid a hazardous situation.

- **Emergency switching off**

An emergency operation intended to switch off the supply of electrical energy to all or a part of an installation where a risk of electric shock or another risk of electrical origin is involved.

- **Emergency switching on**

An emergency operation intended to switch on the supply of electrical energy to a part of an installation that is intended to be used for emergency situations.

Annex F (informative)

Guide for the use of this part of IEC 60204

This part of IEC 60204 gives a large number of general requirements that may or may not be applicable to the electrical equipment of a particular machine. A simple reference without any qualification to the complete standard IEC 60204-1 is therefore not sufficient. Choices need to be made to cover all requirements of this part of IEC 60204. A technical committee preparing a product family or a dedicated product standard (type C in ISO and CEN), and the supplier of a machine for which no product family or dedicated product standard exists, should use this part of IEC 60204:

- a) by reference; and
- b) by selection of the most appropriate option(s) from the requirements given in the relevant clauses; and
- c) by modification of certain clauses, as necessary, where the particular requirements for the equipment of the machine are adequately covered by other relevant standards,

providing the options selected and the modifications made do not adversely affect the level of protection required for that machine according to the risk assessment.

When applying the three principles a), b) and c) listed above, it is recommended that:

- reference be made to the relevant clauses and subclauses of this standard:
 - that are complied with, indicating where relevant the applicable option;
 - that have been modified or extended for the specific machine or equipment requirements; and
- reference be made directly to the relevant standard, for those requirements for the electrical equipment that are adequately covered by that standard.

Specific expertise can be necessary to:

- perform the necessary risk assessment of the machine;
- read and understand all of the requirements of this part of IEC 60204;
- choose the applicable requirements from this part of IEC 60204 where alternatives are given;
<http://www.china-gauges.com/>
- identify alternative or additional particular requirements that differ from or are not included in the requirements of this part of IEC 60204, and that are determined by the machine and its use; and
- specify precisely those particular requirements.

Figure 1 of this part of IEC 60204 is a block diagram of a typical machine and can be used as the starting point of this task. It indicates the Clauses and Subclauses dealing with particular requirements/equipment. However, this part of IEC 60204 is a complex document and Table F.1 can help identify the application options for a particular machine and gives reference to other relevant standards.

Table F.1 – Application options

Subject	Clause or Subclause	i)	ii)	iii)	iv)
Scope	1		X		
General requirements	4	X	X	X	ISO 12100
Selection of equipment	4.2.2		X	X	IEC 61439 series
Supply disconnecting (isolating) device	5.3	X			
Excepted circuits	5.3.5	X		X	ISO 12100
Prevention of unexpected start-up, isolation	5.4, 5.5 and 5.6	X	X	X	ISO 14118
Protection against electric shock	6	X			IEC 60364-4-41
Emergency operations	9.2.3.4	X		X	ISO 13850
Two-hand control	9.2.3.8	X	X		ISO 13851
Cableless control	9.2.4	X	X	X	IEC 62745
Control functions in the event of failure	9.4	X	X	X	ISO 12100 ISO 13849 (all parts) IEC 62061
Position sensors	10.1.4	X	X	X	ISO 14119
Colours and markings of operator interface devices	10.2, 10.3 and 10.4	X	X		IEC 60073 IEC 61310 (all parts)
Emergency stop	9.2.3.4.2	X			ISO 13850
Emergency stop devices	10.7	X	X		IEC 60947-5-5
Emergency switching off devices	10.8	X	X		IEC 60364-5-53
Controlgear – protection against ingress of contaminants, etc.	10.1.3 and 11.3	X	X	X	IEC 60529
Identification of conductors	13.2	X	X		IEC 62491
Verification	18	X	X	X	IEC 60364-6
Additional user requirements	Annex B		X	X	
Fault protection in TN systems	Annex A (A.1)	X			IEC 60364-4-41 IEC 60364-6
Fault protection in TT systems	Annex A (A.2)	X			IEC 60364-4-41 IEC 60364-6
<p>Clauses and Subclauses of this part of IEC 60204 where action should be considered (shown by X) with respect to:</p> <p>i) selection from the measures given;</p> <p>ii) additional requirements;</p> <p>iii) different requirements;</p> <p>iv) examples of other standards that can be relevant.</p>					

Annex G (informative)

Comparison of typical conductor cross-sectional areas

Table G.1 provides a comparison of the conductor cross-sectional areas of the American Wire Gauge (AWG) with square millimetres, square inches, and circular mils.

Table G.1 – Comparison of conductor sizes

Wire size	Gauge No	Cross-sectional area		DC resistance of copper at 20 °C	Circular mils
		mm ²	inches ²		
mm ²	(AWG)	mm ²	inches ²	Ohms per km	
0,2		0,196	0,000 304	91,62	387
	24	0,205	0,000 317	87,60	404
0,3		0,283	0,000 438	63,46	558
	22	0,324	0,000 504	55,44	640
0,5		0,500	0,000 775	36,70	987
	20	0,519	0,000 802	34,45	1 020
0,75		0,750	0,001 162	24,80	1 480
	18	0,823	0,001 272	20,95	1 620
1,0		1,000	0,001 550	18,20	1 973
	16	1,31	0,002 026	13,19	2 580
1,5		1,500	0,002 325	12,20	2 960
	14	2,08	0,003 228	8,442	4 110
2,5		2,500	0,003 875	7,56	4 934
	12	3,31	0,005 129	5,315	6 530
4		4,000	0,006 200	4,700	7 894
	10	5,26	0,008 152	3,335	10 380
6		6,000	0,009 300	3,110	11 841
	8	8,37	0,012 967	2,095	16 500
10		10,000	0,001 550	1,840	19 735
	6	13,3	0,020 610	1,320	26 240
16		16,000	0,024 800	1,160	31 576
	4	21,1	0,032 780	0,829 5	41 740
25		25,000	0,038 800	0,734 0	49 338
	2	33,6	0,052 100	0,521 1	66 360
35		35,000	0,054 200	0,529 0	69 073
	1	42,4	0,065 700	0,413 9	83 690
50		47,000	0,072 800	0,391 0	92 756

<http://www.china-gauges.com/>

The resistance for temperatures other than 20°C can be found using the formula:

$$R = R_I [1 + 0,003\ 93 (t - 20)]$$

where:

R_I is the resistance at 20 °C;

R is the resistance at a temperature t °C.

Annex H (informative)

Measures to reduce the effects of electromagnetic influences

H.1 Definitions

For the purposes of Annex H only, the following terms and definitions apply.

H.1.1 apparatus

finished device or combination thereof made commercially available as a single functional unit, intended for the end user and liable to generate electromagnetic disturbance, or the performance of which is liable to be affected by such disturbance

H.1.2 fixed installation

particular combination of several types of apparatus and, where applicable, other devices, which are assembled, installed and intended to be used permanently at a predefined location

H.2 General

This Annex H provides recommendations to improve electromagnetic immunity and reduce emission of electromagnetic disturbances.

For EMC purposes, electrical equipment for machinery is deemed to be either apparatus or fixed installations. Where electrical safety and electromagnetic compatibility result in different requirements, electrical safety always has the higher priority.

Electromagnetic Interference (EMI) can disturb or damage process monitoring, control and automation systems. Currents due to lightning, switching operations, short-circuits and other electromagnetic phenomena can cause overvoltages and electromagnetic interference.

These effects can occur for example:

- where large conductive loops exist,
- where different electrical wiring systems are installed in common routes, e.g. power supply, communication, control or signal cables.

<http://www.china-gauges.com/>

Cables carrying large currents with a high rate of change of current (di/dt) can induce overvoltages in other cables, which can influence or damage the connected electrical equipment.

H.3 Mitigation of electromagnetic interference (EMI)

H.3.1 General

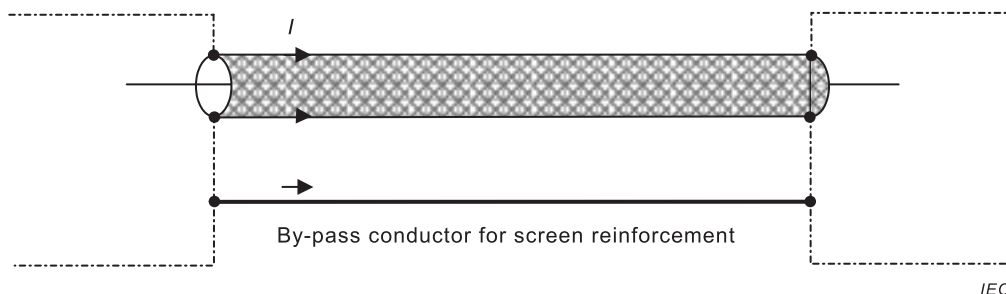
Consideration should be given, in the design of the electrical equipment to the measures described below for reducing the electromagnetic influences on electrical equipment.

Only electrical equipment which meets the requirements of the appropriate EMC standards, or the EMC requirements of the relevant product standard, should be used.

H.3.2 Measures to reduce EMI

The following measures reduce electromagnetic interference:

- a) The installation of surge protection devices and/or filters for equipment sensitive to electromagnetic influences is recommended to improve electromagnetic compatibility with regard to conducted electromagnetic phenomena;
- b) Conductive sheaths (e.g. armouring, screens) of cables should be bonded to the protective bonding circuit;
- c) Inductive loops should be avoided by selection of common routes for power, signal and data circuits wiring while maintaining circuit separation in accordance with Clause H.4;
- d) Power cables should be kept separate from signal or data cables;
- e) Where it is necessary for power and signal or data cables to cross each other they should be crossed at right-angles;
- f) Use of cables with concentric conductors to reduce currents induced into the protective conductor;
- g) Use of symmetrical multicore cables (e.g. screened cables containing separate protective conductors) for the electrical connections between motors and converters;
- h) Use of signal and data cables according to the EMC requirements of the manufacturer's instructions;
- i) Where screened signal or data cables are used, care should be taken to reduce current flowing through the screens of signal cables, or data cables, which are earthed. It can be necessary to install a by-pass conductor; see Figure H.1;



IEC

Figure H.1 – By-pass conductor for screen reinforcement

NOTE A good equipotential bonding of the components of the machine reduces the need for by-pass conductors.

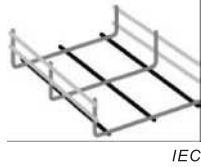
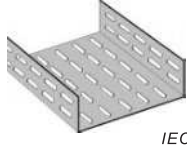
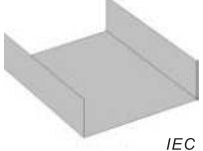
- j) Equipotential bonding connections should have an impedance as low as practicable, being as short as practicable and where applicable braided to conduct higher frequencies;
- k) If electronic equipment requires a reference voltage at about earth potential in order to function correctly; this reference voltage is provided by the functional earthing conductor. For equipment operating at high frequencies, the connections shall be kept as short as practicable.

H.4 Separation and segregation of cables

Power cables and data cables which share the same route should be installed according to the requirements of this Annex H.

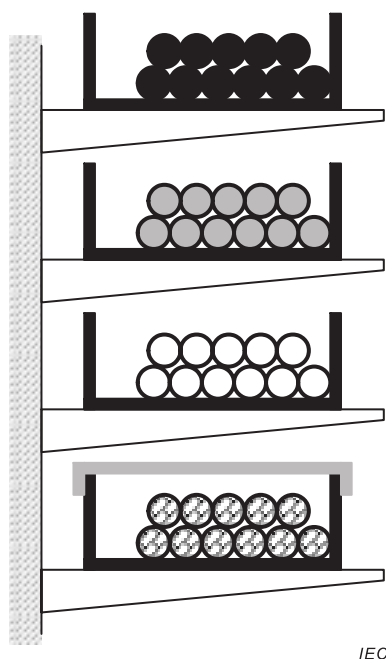
Where no other information is available, then the cable separation distance between the power and data cables should be in accordance with Table H.1 and Figure H.2.

Table H.1 – Minimum separation distances using metallic containment as illustrated in Figure H.2

Separation without metallic containment	A Mesh metallic containment  <i>IEC</i>	B Perforated metallic containment  <i>IEC</i>	C Solid metallic containment  <i>IEC</i>
≥ 200 mm	≥ 150 mm	≥ 100 mm	0 mm
<p>A Screening performance (DC-100 MHz) equivalent to welded mesh steel basket of mesh size 50 mm × 100 mm (excluding ladders). This screening performance is also achieved with steel tray even if the wall thickness is less than 1 mm and/or the evenly distributed perforated area is greater than 20 %.</p> <p>B Screening performance (DC-100 MHz) equivalent to steel tray of at least 1 mm wall thickness and no more than 20 % evenly distributed perforated area. This screening performance is also achieved with screened power cables.</p> <p>No part of the cable within the metallic containment should be less than 10 mm below the top of the metallic containment.</p> <p>C Screening performance (DC-100 MHz) equivalent to a steel conduit of at least 1 mm wall thickness. Separation specified is in addition to that provided by any divider/screen.</p>			

The minimum separation requirement specified in Table H.1 applies to the horizontal or vertical separation between adjacent cable trays or cable trunking systems. Where data cables and power supply cables are required to cross and required minimum separation cannot be maintained then the angle of their crossing should be maintained at 90 degrees on either side of the crossing for a distance no less than the applicable minimum separation requirement.

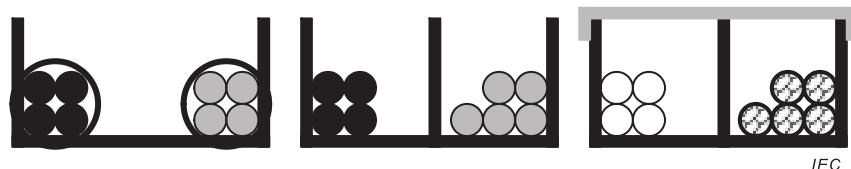
Figures H.2 and H.3 show examples of separation and segregation.



For distances see Table H.1.



Figure H.2 – Examples of vertical separation and segregation



For distances see Table H.1.

Figure H.3 – Examples of horizontal separation and segregation

Usable space within the cable tray or cable trunking system should be determined based on the quantity of additional cables to be installed (see Annex B). The cable bundle height should be lower than the side-walls of the cable tray or cable trunking system, as shown in Figure H.4 below. The overlapping lid of cable trunking systems improves the electromagnetic compatibility performance.

For a U-shape cable tray, the magnetic field decreases near the two corners. For this reason, deep side-walls are preferred.

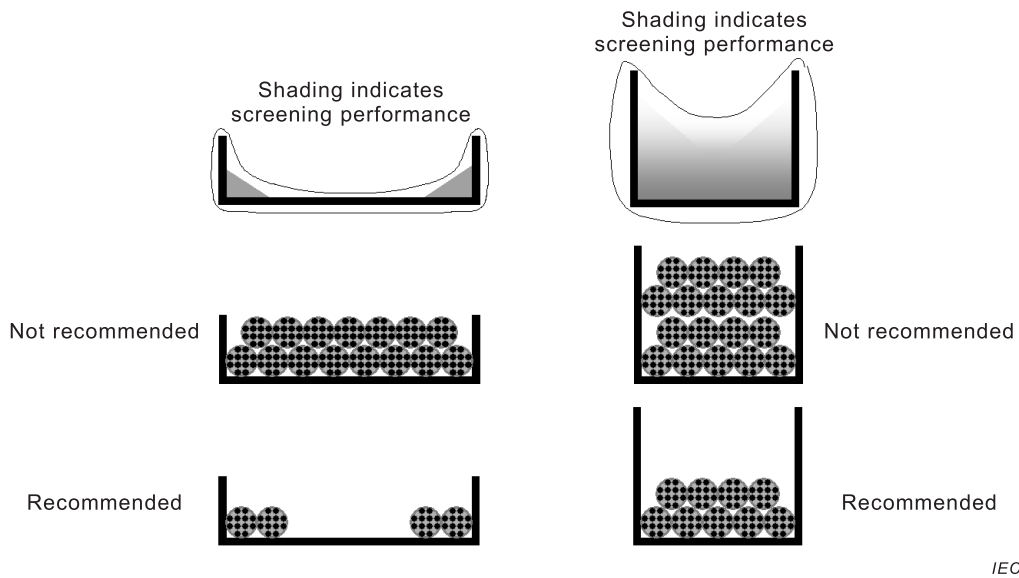


Figure H.4 – Cable arrangements in metal cable trays

Metal cable trays or cable trunking systems which are intended to provide electromagnetic compatibility shall always be connected to the local equipotential bonding system at both ends. For long distances, for example greater than 50 m, additional connections to the equipotential bonding system are recommended. All connections to the equipotential bonding system should have low impedance.

Where metal cable trays or cable trunking systems are constructed from several elements, care should be taken to ensure continuity by effective bonding between adjacent elements.

The shape of the metallic section should achieve continuity of shielding throughout its length. All interconnections should have low impedance; see Figure H.5.

a	Non-conformant	<p style="text-align: right;"><i>IEC</i></p>
b	Conformant	<p style="text-align: right;"><i>IEC</i></p>
c	Recommended	<p style="text-align: right;"><i>IEC</i></p>

<http://www.china-gauges.com/>

Figure H.5 – Connections between metal cable trays or cable trunking systems

Where metallic covers for metallic cable trunking systems are used, a cover over the full length is preferred. If that is not possible, the covers should be connected to the cable tray at least at both ends by short connections less than 10 cm, e.g. braided or mesh straps.

Figure H.6 shows a metal cable tray crossing a wall at which a fire barrier is to be installed. Where metal cable trays are required to be interrupted to pass through building structures, a low impedance interconnection should be provided between the two metallic sections. Regulations with respect to fire barriers take precedence over EMC considerations.

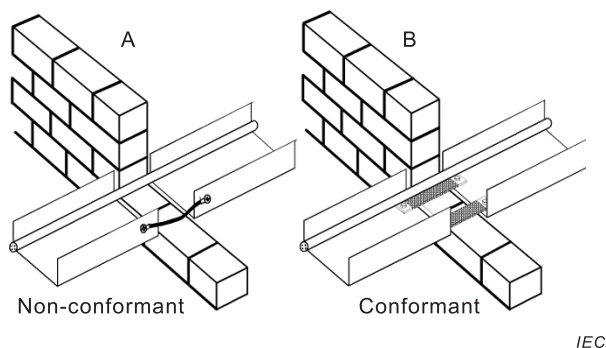


Figure H.6 – Interruption of metal cable trays at fire barriers

H.5 Power supply of a machine by parallel sources

Where a machine is supplied with power by parallel sources, see IEC 60364-1.

H.6 Supply impedance where a Power Drive System (PDS) is used

Connection of a PDS to too high a supply source impedance can lead to conducted emission problems.

Annex I (informative)

Documentation / Information

A list of available standards applicable to documentation and information is provided in Table I.1.

Brief definitions of a set of internationally standardized document kinds are given in the publicly available database IEC 61355 DB (<http://std.iec.ch/iec61355>).

Table I.1 – Documentation / Information that can be applicable

Type of information for the electrical equipment	Recommended standard
Structuring principles	IEC 81346-1: <i>Industrial systems, installations and equipment and industrial products – Structuring principles and reference designations – Part 1: Basic rules</i>
Structuring of documents	IEC 62023: <i>Structuring of technical information and documentation</i> (see note)
Parts list	IEC 62027: <i>Preparation of object lists, including parts lists</i>
List of documents	IEC 62027: <i>Preparation of object lists, including parts lists</i>
Specification of the properties of the electrical equipment	IEC PAS 62569-1: <i>Generic specification of information on products – Part 1: Principles and methods</i>
Instructions for handling, transportation and storage	IEC 82079-1: <i>Preparation of instructions for use – Structuring, content and presentation – Part 1: General principles and detailed requirements</i>
Instructions for installation, erection, assembling on site, dismantling, etc.	IEC 82079-1: <i>Preparation of instructions for use – Structuring, content and presentation – Part 1: General principles and detailed requirements</i>
Instructions for use	IEC 82079-1: <i>Preparation of instructions for use – Structuring, content and presentation – Part 1: General principles and detailed requirements</i>
Instructions for service and maintenance	IEC 82079-1: <i>Preparation of instructions for use – Structuring, content and presentation – Part 1: General principles and detailed requirements</i>
Reference designations	IEC 81346-1: <i>Industrial systems, installations and equipment and industrial products – Structuring principles and reference designations – Part 1: Basic rules</i> and http://www.china-gauges.com/ IEC 81346-2: <i>Industrial systems, installations and equipment and industrial products – Structuring principles and reference designations – Part 2: Classification of objects and codes for classes</i>
Terminal designations	IEC 61666: <i>Industrial systems, installations and equipment and industrial products – Identification of terminals within a system</i>
Designations of cables and cores	IEC 62491: <i>Industrial systems, installations and equipment and industrial products – Labelling of cables and cores</i>
Circuit diagrams	IEC 61082-1: <i>Preparation of documents used in electrotechnology – Part 1: Rules</i>
Layout of equipment and overall dimensions	IEC 61082-1: <i>Preparation of documents used in electrotechnology – Part 1: Rules</i>
Interconnection diagram, terminal list, cable list, cable tray layout	IEC 61082-1: <i>Preparation of documents used in electrotechnology – Part 1: Rules</i>
Spare parts list for a specified period	IEC 62027: <i>Preparation of object lists, including parts lists</i>
List of parameters (e.g. of converters)	(No standard exists)

Type of information for the electrical equipment	Recommended standard
List of tools	IEC 82079: <i>Preparation of instructions for use – Structuring, content and presentation – Part 1: General principles and detailed requirements</i>
Identification systems	IEC 62507-1: <i>Identification systems enabling unambiguous information interchange – Requirements – Part 1: Principles and methods</i>
NOTE For simple equipment IEC 62023 allows all information to be contained within one single document.	

Bibliography

IEC 60034-5, *Rotating electrical machines – Part 5: Degrees of protection provided by the integral design of rotating electrical machines (IP code) – Classification*

NOTE Harmonized as EN 60034-5.

IEC 60034-11, *Rotating electrical machines – Part 11: Thermal protection*

NOTE Harmonized as EN 60034-11.

IEC 60038:2009, *IEC standard voltages*

NOTE Harmonized as EN 60038:2011 (modified).

IEC 60050, *International Electrotechnical Vocabulary* (available at <<http://www.electropedia.org>>)

IEC 60073:2002, *Basic and safety principles for man-machine interface, marking and identification – Coding principles for indicators and actuators*

NOTE Harmonized as EN 60073:2002 (not modified).

IEC 60085, *Electrical insulation – Thermal evaluation and designation*

NOTE Harmonized as EN 60085.

IEC 60204-11:2000, *Safety of machinery – Electrical equipment of machines – Part 11: Requirements for HV equipment for voltages above 1 000 V a.c. or 1 500 V d.c. and not exceeding 36 kV*

NOTE Harmonized as EN 60204-11:2000

IEC 60204-31:2013, *Safety of machinery – Electrical equipment of machines – Part 31: Particular safety and EMC requirements for sewing machines, units and systems*

NOTE Harmonized as EN 60204-31:2013 (not modified).

IEC 60204-32:2008, *Safety of machinery – Electrical equipment of machines – Part 32: Requirements for hoisting machines*

NOTE Harmonized as EN 60204-32:2008 (not modified).

IEC 60204-33:2009, *Safety of machinery – Electrical equipment of machines – Part 33: Requirements for semiconductor fabrication equipment*

NOTE Harmonized as EN 60204-33:2011 (modified).

IEC 60216 (all parts), *Electrical insulating materials – Thermal endurance properties*

NOTE Harmonized in EN 60216 series.

IEC 60228:2004, *Conductors of insulated cables*

NOTE Harmonized as EN 60228:2005 (not modified).

<http://www.china-gauges.com/>

IEC 60269-1:2006, *Low-voltage fuses – Part 1: General requirements*

NOTE Harmonized as EN 60269-1:2007 (not modified).

IEC 60287 (all parts), *Electric cables – Calculation of the current rating*

IEC 60320-1, *Appliance couplers for household and similar general purposes –Part 1: General requirements*

NOTE Harmonized as EN 60320-1.

IEC 60332 (all parts), *Tests on electric and optical fibre cables under fire conditions*

NOTE Harmonized in EN 60332 series.

IEC 60335 (all parts), *Household and similar electrical appliances – Safety*

NOTE Harmonized in EN 60335 series.

IEC 60364 (all parts), *Low-voltage electrical installations*

NOTE Harmonized in HD 60364 series.

IEC 60447:2004, *Basic and safety principles for man-machine interface, marking and identification – Actuating principles*

NOTE Harmonized as EN 60447:2004 (not modified).

IEC TR 60755, *General requirements for residual current operated protective devices*

IEC 60757:1983, *Code for designation of colours*

NOTE Harmonized as HD 457 S1:1985 (not modified).

IEC TR 60890, *A method of temperature-rise verification of low-voltage switchgear and controlgear assemblies by calculation*

NOTE Harmonized as CLC/TR 60890.

IEC 60909-0:2001, *Short-circuit currents in three-phase a.c. systems – Part 0: Calculation of currents*

NOTE Harmonized as EN 60909-0:2001 (not modified).

IEC TR 60909-1:2002, *Short-circuit currents in three-phase a.c. systems – Part 1: Factors for the calculation of short-circuit currents according to IEC 60909-0*

IEC 60947-1:2007, *Low-voltage switchgear and controlgear – Part 1: General rules*

NOTE Harmonized as EN 60947-1:2007 (not modified).

IEC 60947-4-1, *Low-voltage switchgear and controlgear – Part 4-1: Contactors and motorstarters – Electromechanical contactors and motor-starters*

NOTE Harmonized as EN 60947-4-1.

IEC 60947-5-2:2007, *Low-voltage switchgear and controlgear – Part 5-2: Control circuit devices and switching elements – Proximity switches*

NOTE Harmonized as EN 60947-5-2:2007 (not modified).

IEC 60947-5-8, *Low-voltage switchgear and controlgear – Part 5-8: Control circuit devices and switching elements – Three-position enabling switches*

NOTE Harmonized as EN 60947-5-8.

IEC 60947-7-1:2009, *Low-voltage switchgear and controlgear – Part 7-1: Ancillary equipment – Terminal blocks for copper conductors*

NOTE Harmonized as EN 60947-7-1:2009 (not modified).

IEC 61000-5-2:1997, *Electromagnetic compatibility (EMC) – Part 5: Installation and mitigation guidelines – Section 2: Earthing and cabling*

IEC 61000-6-1:2005, *Electromagnetic compatibility (EMC) – Part 6-1: Generic standards: Immunity for residential, commercial and light-industrial environments*

NOTE Harmonized as EN 61000-6-1:2007 (not modified).

IEC 61000-6-2:2005, *Electromagnetic compatibility (EMC) – Part 6-2: Generic standards – Immunity for industrial environments*

<http://www.china-gauges.com/>

NOTE Harmonized as EN 61000-6-2:2005 (not modified).

IEC 61000-6-3:2006, *Electromagnetic compatibility (EMC) – Part 6-3: Generic standards – Emission standard for residential, commercial and light-industrial environments*

NOTE Harmonized as EN 61000-6-3:2007 (not modified).

IEC 61000-6-4:1997, *Electromagnetic compatibility (EMC) – Part 6: Generic standards – Section 4: Emission standard for industrial environments*

NOTE Harmonized as EN 61000-6-4:2001² (modified).

IEC 61082-1:2014, *Preparation of documents used in electrotechnology – Part 1: Rules*

NOTE Harmonized as EN 61082-1:2015 (not modified).

IEC 61084 (all parts), *Cable trunking and ducting systems for electrical installations*

² Superseded by EN 61000-6-4:2007, which is based on IEC 61000-6-4:2006.

IEC 61175, *Industrial systems, installations and equipment and industrial products – Designation of signals*

Ⓒ NOTE Harmonized as EN 61175. Ⓒ

IEC 61180 (all parts), *High-voltage test techniques for low-voltage equipment*

Ⓒ NOTE Harmonized in EN 61180 series. Ⓒ

IEC TR 61200-53:1994, *Electrical installation guide – Part 53: Selection and erection of electrical equipment – Switchgear and controlgear*

IEC 61355, *Collection of standardized and established document kinds* (available at <http://std.iec.ch/iec61355>)

IEC 61496-1:2004, *Safety of machinery – Electro-sensitive protective equipment – Part 1: General requirements and tests*

Ⓒ NOTE Harmonized as EN 61496-1:2004³ (modified). Ⓒ

IEC 61506, *Industrial-process measurement and control – Documentation of application software*

IEC 61557 (all parts), *Electrical safety in low voltage distribution systems up to 1 000 V a.c. and 1500 V d.c. – Equipment for testing, measuring or monitoring of protective measures*

Ⓒ NOTE Harmonized in EN 61557 series. Ⓒ

IEC 61558-2-2, *Safety of power transformers, power supplies, reactors and similar products – Part 2-2: Particular requirements and tests for control transformers and power supplies incorporating control transformers*

Ⓒ NOTE Harmonized as EN 61558-2-2. Ⓒ

IEC 61558-2-16, *Safety of transformers, reactors, power supply units and similar products for supply voltages up to 1 100 V – Part 2-16: Particular requirements and tests for switch mode power supply units and transformers for switch mode power supply units*

Ⓒ NOTE Harmonized as EN 61558-2-16. Ⓒ

IEC 61643-12:2008, *Low-voltage surge protective devices – Part 12: Surge protective devices connected to low-voltage power distribution systems – Selection and application principles*

Ⓒ NOTE Harmonized as CLC/TS 61643-12:2009 (modified). Ⓒ

IEC 61666, *Industrial systems, installations and equipment and industrial products – Identification of terminals within a system*

Ⓒ NOTE Harmonized as EN 61666. Ⓒ

IEC 61800 (all parts), *Adjustable speed electrical power drive systems*

Ⓒ NOTE Harmonized in EN 61800 series. Ⓒ

IEC TR 61912-1:2007, *Low-voltage switchgear and controlgear – Overcurrent protective devices – Part 1: Application of short-circuit ratings*

IEC 62020, *Electrical accessories – Residual current monitors for household and similar uses (RCMs)*

Ⓒ NOTE Harmonized as EN 62020. Ⓒ

IEC 62027:2011, *Preparation of object lists, including parts lists*

Ⓒ NOTE Harmonized as EN 62027:2012 (not modified). Ⓒ

IEC 62305-1:2010, *Protection against lightning – Part 1: General principles*

Ⓒ NOTE Harmonized as EN 62305-1:2011 (modified). Ⓒ

IEC 62305-4:2010, *Protection against lightning – Part 4: Electrical and electronic systems within structures*

Ⓒ NOTE Harmonized as EN 62305-4:2011 (modified). Ⓒ

IEC 62491, *Industrial systems, installations and equipment and industrial products – Labelling of cables and cores*

Ⓒ NOTE Harmonized as EN 62491. Ⓒ

Ⓒ ³ Superseded by EN 61496-1:2013, which is based on IEC 61496-1:2012. Ⓒ

<http://www.china-gauges.com/>

IEC 62507-1, *Identification systems enabling unambiguous information interchange – Requirements – Part 1: Principles and methods*

NOTE Harmonized as EN 62507-1. C

IEC 62745⁴, *Safety of machinery – Requirements for the interfacing of cableless controllers to machinery*

NOTE Harmonized as EN 62745. C

IEC PAS 62569-1, *Generic specification of information on products – Part 1: Principles and methods*

IEC 81346-1:2009, *Industrial systems, installations and equipment and industrial products – Structuring principles and reference designations – Part 1: Basic rules*

NOTE Harmonized as EN 81346-1:2009 (not modified). C

IEC 81346-2:2009, *Industrial systems, installations and equipment and industrial products – Structuring principles and reference designations – Part 2: Classification of objects and codes for classes*

NOTE Harmonized as EN 81346-2:2009 (not modified). C

IEC 82079-1:2012, *Preparation of instructions for use – Structuring, content and presentation – Part 1: General principles and detailed requirements*

NOTE Harmonized as EN 82079-1:2012 (not modified). C

IEC Guide 106:1996, *Guide for specifying environmental conditions for equipment performance rating*

ISO 3864-1:2011, *Graphical symbols – Safety colours and safety signs – Part 1: Design principles for safety signs and safety markings*

ISO 7000:2014, *Graphical symbols for use on equipment – Registered symbols*

ISO 12100:2010, *Safety of machinery – General principles for design – Risk assessment and risk reduction*

NOTE Harmonized as EN ISO 12100:2010 (not modified). C

ISO 13732-1, *Ergonomics of the thermal environment – Methods for the assessment of human responses to contact with surfaces – Part 1: Hot surfaces*

NOTE Harmonized as EN ISO 13732-1. C

ISO 13851:2002, *Safety of machinery – Two-hand control devices – Functional aspects and design principles*

ISO 14118:2000, *Safety of machinery – Prevention of unexpected start-up*

ISO 14122-1:2001, *Safety of machinery – Permanent means of access to machinery – Part 1: Choice of fixed means of access between two levels*

ISO 14122-1:2001/AMD1:2010

<http://www.china-gauges.com/>

ISO 14122-2:2001, *Safety of machinery – Permanent means of access to machinery – Part 2: Working platforms and walkways*

ISO 14122-2:2001/AMD1:2010

ISO 14122-3:2001, *Safety of machinery – Permanent means of access to machinery – Part 3: Stairs, stepladders and guard-rails*

ISO 14122-3:2001/AMD1:2010

CENELEC HD 516 S2, *Guide to use of low-voltage harmonized cables*

EN 50160:2010, *Voltage characteristics of electricity supplied by public electricity networks*

EN 50160:2010/AMD1:2015

UL 508A, *UL Standard for Safety for Industrial Control Panels*, second Edition, 2013 revised 2014.

NFPA 79, *Electrical Standard for Industrial Machinery*, 2015 edition.

⁴ Under consideration.

British Standards Institution (BSI)

BSI is the national body responsible for preparing British Standards and other standards-related publications, information and services.

BSI is incorporated by Royal Charter. British Standards and other standardization products are published by BSI Standards Limited.

About us

We bring together business, industry, government, consumers, innovators and others to shape their combined experience and expertise into standards-based solutions.

The knowledge embodied in our standards has been carefully assembled in a dependable format and refined through our open consultation process. Organizations of all sizes and across all sectors choose standards to help them achieve their goals.

Information on standards

We can provide you with the knowledge that your organization needs to succeed. Find out more about British Standards by visiting our website at bsigroup.com/standards or contacting our Customer Services team or Knowledge Centre.

Buying standards

You can buy and download PDF versions of BSI publications, including British and adopted European and international standards, through our website at bsigroup.com/shop, where hard copies can also be purchased.

If you need international and foreign standards from other Standards Development Organizations, hard copies can be ordered from our Customer Services team.

Copyright in BSI publications

All the content in BSI publications, including British Standards, is the property of and copyrighted by BSI or some person or entity that owns copyright in the information used (such as the international standardization bodies) and has formally licensed such information to BSI for commercial publication and use.

Save for the provisions below, you may not transfer, share or disseminate any portion of the standard to any other person. You may not adapt, distribute, commercially exploit, or publicly display the standard or any portion thereof in any manner whatsoever without BSI's prior written consent.

Storing and using standards

Standards purchased in soft copy format:

- A British Standard purchased in soft copy format is licensed to a sole named user for personal or internal company use only.
- The standard may be stored on more than 1 device provided that it is accessible by the sole named user only and that only 1 copy is accessed at any one time.
- A single paper copy may be printed for personal or internal company use only.
- Standards purchased in hard copy format:
- A British Standard purchased in hard copy format is for personal or internal company use only.
- It may not be further reproduced – in any format – to create an additional copy. This includes scanning of the document.

If you need more than 1 copy of the document, or if you wish to share the document on an internal network, you can save money by choosing a subscription product (see 'Subscriptions').

Reproducing extracts

For permission to reproduce content from BSI publications contact the BSI Copyright & Licensing team.

Subscriptions

Our range of subscription services are designed to make using standards easier for you. For further information on our subscription products go to bsigroup.com/subscriptions.

With **British Standards Online (BSOL)** you'll have instant access to over 55,000 British and adopted European and international standards from your desktop. It's available 24/7 and is refreshed daily so you'll always be up to date.

You can keep in touch with standards developments and receive substantial discounts on the purchase price of standards, both in single copy and subscription format, by becoming a **BSI Subscribing Member**.

PLUS is an updating service exclusive to BSI Subscribing Members. You will automatically receive the latest hard copy of your standards when they're revised or replaced.

To find out more about becoming a BSI Subscribing Member and the benefits of membership, please visit bsigroup.com/shop.

With a **Multi-User Network Licence (MUNL)** you are able to host standards publications on your intranet. Licences can cover as few or as many users as you wish. With updates supplied as soon as they're available, you can be sure your documentation is current. For further information, email subscriptions@bsigroup.com.

Revisions

Our British Standards and other publications are updated by amendment or revision.

We continually improve the quality of our products and services to benefit your business. If you find an inaccuracy or ambiguity within a British Standard or other BSI publication please inform the Knowledge Centre.

Useful Contacts

Customer Services

Tel: +44 345 086 9001

Email (orders): orders@bsigroup.com

Email (enquiries): cservices@bsigroup.com

<http://www.china-gauges.com/>

Subscriptions

Tel: +44 345 086 9001

Email: subscriptions@bsigroup.com

Knowledge Centre

Tel: +44 20 8996 7004

Email: knowledgecentre@bsigroup.com

Copyright & Licensing

Tel: +44 20 8996 7070

Email: copyright@bsigroup.com

BSI Group Headquarters

389 Chiswick High Road London W4 4AL UK