



IEC 61032 Test Probe 13 meets IEC CSA & UL requirements

This pin probe is intended to verify the protection against access to hazardous live parts in class 0 equipment and class II equipment (see IEC60536).

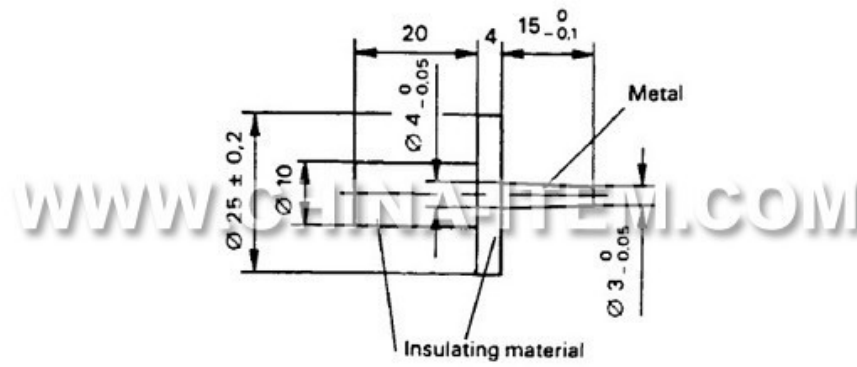
Conforms to:

Standard IEC61032-1997, IEC60529-2001, GB/T4208-2008 and UL etc.

Technical Parameter:

Test probe diameter	3mm
Test probe length	15mm
Baffle plate thickness	4mm
Baffle plate diameter	25mm
Handle length	20mm
Handle diameter	10mm

c)



Dimensions in millimetres

This pin is intended to verify the protection against access to hazardous live parts in class 0 equipment and class II equipment (see IEC 60536).

Figure 9 – Test probe 13