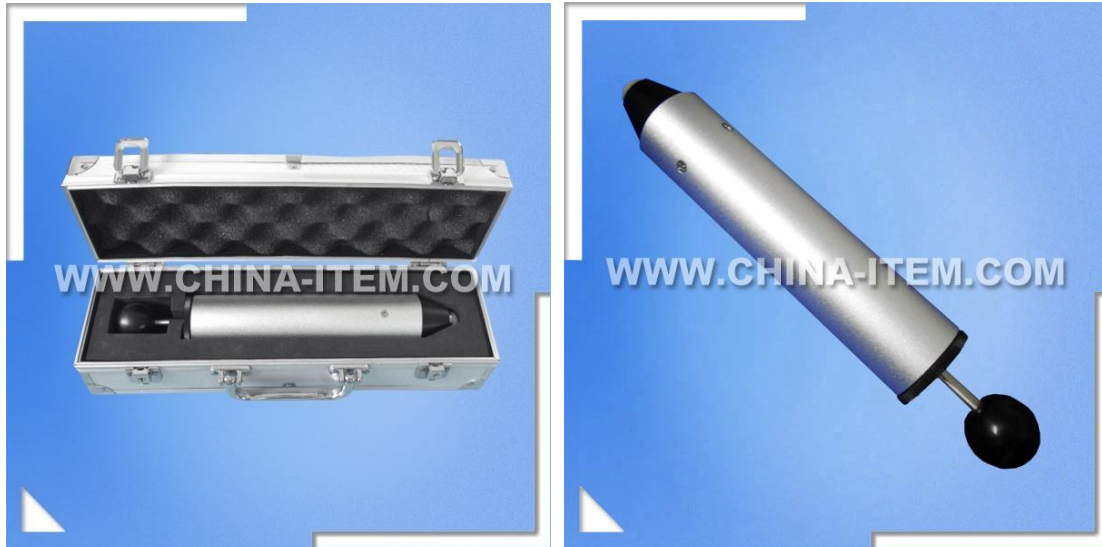


Spring hammer 0.5J



1.Introduction:

(1) IEC60068-2-75 Spring Impact Hammer Test Apparatus is strictly designed according to IEC60068-2-75 standard.

(2)After applying the impact with the hammer, the products is examined with accessibility probes to determine access to chock,energy,and injury hazards. Built in exact accordance to IEC/EN/UL/CSA and other standards.

2.Application:

Adjust the impact severity by rotating the knurled cap until the desired energy-value is displayed. Pull the knob slowly out of the device until it locks in place. If moved too fast, the clamp may skip its arrester and will lock at its way back when the pulling-force declines. Hold the device horizontally at its housing tube and press the (black) release cone to the specimens plane of impact. The strike is automatically released when the release force threshold is reached.

Impact energy :

Allowable error: $\pm 10\%$

The weight of impact element: $250\text{g} \pm 5\text{g}$

The power: $< 10\text{N}$

The whole weight: $1250\text{g} \pm 10\text{g}$

Impact energy error:

$0.50\text{J} \pm 0.04\text{J}$

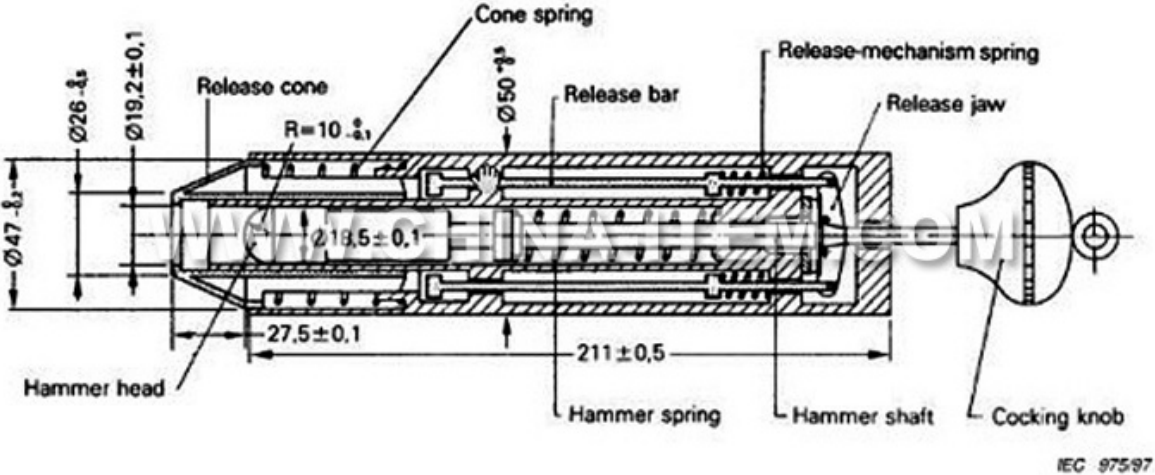


Figure E.1 – Spring hammer test apparatus