



## IPX3-4 Pipe Rain Test Machine

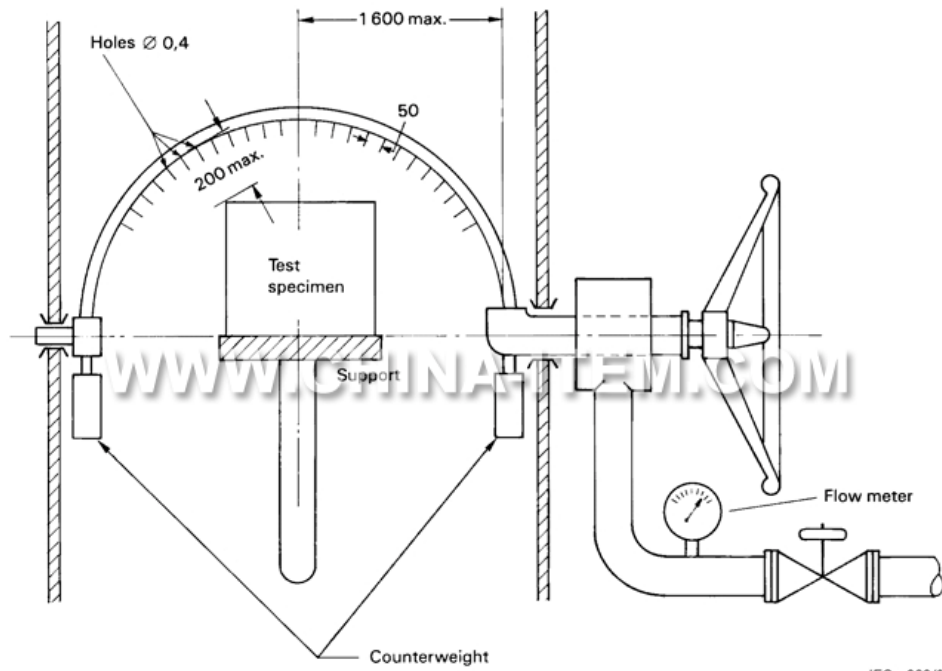
### Application

The rain test system is strictly designed according to IEC60529. It's applied to the Electrical equipment of the waterproof test of IPX3 and IPX4.

IPX3 IPX4 Oscillating Tube Tester is composed of three parts: The swing pipe, swivel table and swing pipe column (by the water tank, water pump, float valve, flow meter, pressure gauges, pressure regulating valves, water filter, motor, electric control system, etc.).

### Technology Parameter

Power Supply	Single phase AC220V, 50Hz
Swing Pipe diameter	15mm (304 stainless steel)
Swing Pipe radius	R1000mm;
Orifice diameter	0.4mm
Orifice angle	IPX3: 120°; IP4X: 180°
Pendulum Angle	IPX3: 120°(±60°); IPX4: 360°(±180°)
Swing Pipe Speed	IPX3: 4s/time (2x120°) IP4X: 12s/time (2x180°)
Water discharge	1-10L/min, adjustable
Test time	0-999mins, can preset
Swivel table diameter	600mm
Swivel table speed	1-5 rpm/min
Adjustable telescopic pipe height	1000-1700mm



IEC 282/01

Dimensions in millimetres

NOTE The range of holes is shown as for second characteristic numeral 3 (see 14.2.3 a)).

Figure 4 – Test device to verify protection against spraying and splashing water; second characteristic numerals 3 and 4 (oscillating tube)



[WWW.CHINA-GAUGES.COM](http://WWW.CHINA-GAUGES.COM)

[sales@china-gauges.com](mailto:sales@china-gauges.com)

